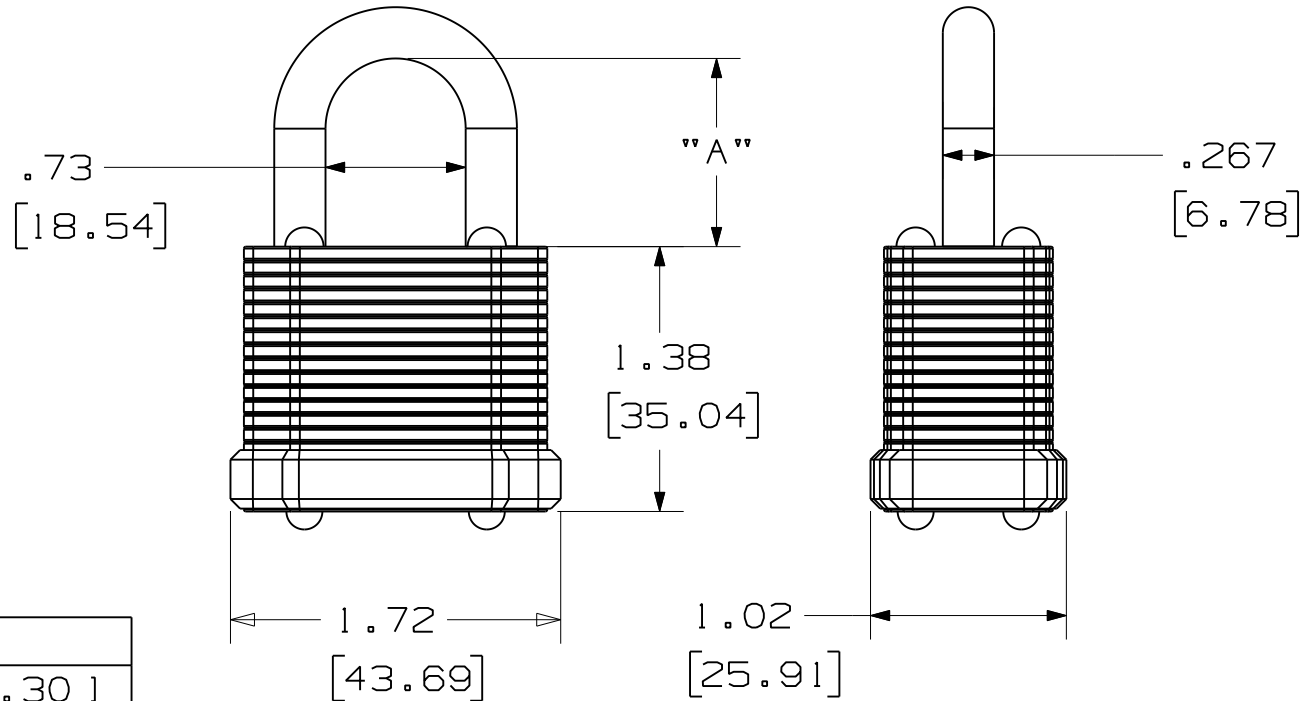


THIS COPY IS PROVIDED ON A RESTRICTED BASIS AND IS NOT TO BE USED IN ANY WAY DETRIMENTAL TO THE INTERESTS OF PANDUIT CORP.

NOTES:

- 1) DIMENSIONS IN [] ARE MILLIMETERS
- 2) LAMINATED STEEL BODY WITH STEEL SHACKLE
- 3) 5-PIN CYLINDER
- 4) AVAILABLE IN
 - *RED (PSL-6)
 - *BLUE (PSL-6BU)
 - *GREEN (PSL-6GR)
 - *BLACK (PSL-6BL)
 - *YELLOW (PSL-6YL)
 - *WHITE (PSL-6WH)
- 5) AVAILABLE WITH CUSTOM KEYING
- 6) SHORT SHACKLE IS STANDARD
ADD "-LS" FOR LONG SHACKLE



	DIM "A"
SHORT SHACKLE	0.76 [19.30]
LONG SHACKLE	2.00 [50.40]

CAD FILENAME/LAYERS 100923DJ_DC_C10793/00A

PANDUIT CORP. TINLEY PARK, ILLINOIS

PSL-6 AND PSL-6-LS
CUSTOMER DRAWING

UNLESS OTHERWISE SPECIFIED,
DIMENSIONAL TOLERANCES ARE:
(.X) ±.150 | 3.81 | (.XXX) ±.031 | .787 |
(.XX) ±.10 | 2.54 | ANGLES ± 5°

UNLESS OTHERWISE SPECIFIED,
ALL DIMENSIONS ARE GIVEN
IN INCHES, THIRD ANGLE PROJECTION.

DRAWN BY
JHAC
DATE
10-2-09
CHK'D

MAT'L:

STEEL

SCALE 1 : 1

DRAWING NO.
C10793

DWG
A
SIZE

REV	DATE	BY	CHK	DESCRIPTION	ECN	R	CUST	SUP
0	10-2-09	JHAC		DRAWING RELEASE	5437	R		