



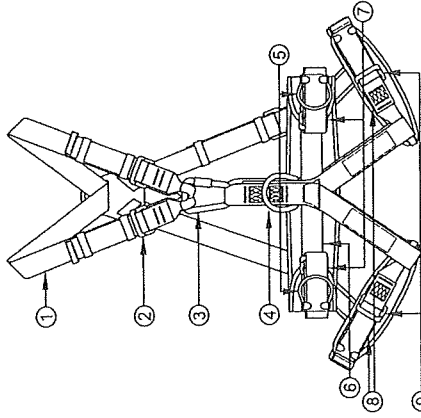
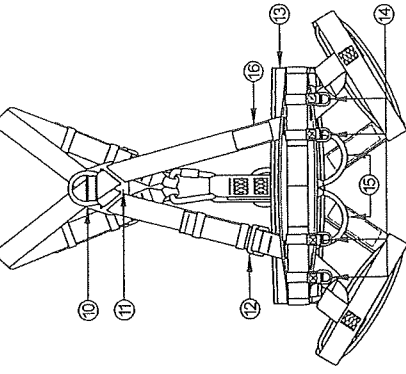
Instruction Manual
READ CAREFULLY BEFORE USE
THE EQUIPMENT

CE 0082

EN 361:2002
EN 358:2000
EN 813:1997

WORKSafe®
SAFETY HARNESS WSFAB170-01

Safety harness is the basic element of fall arrest equipment. Harness complies with EN 361 (safety harness), EN 358 (work positioning belt) and EN 813 (sit harness).



1. Shoulder strap.
2. Shoulder strap adjusting buckle.
3. Connecting snap hook - for attaching fall arrest system.
4. Front attaching buckle - can be utilized as a sit harness according EN 813 (it's not allowed to use this buckle to attach fall arrest system).
5. Lateral belt attaching D-rings. Can be utilized only to attach work positioning systems according EN 358.
6. Work positioning belt strap.
7. Work positioning belt strap adjusting buckles.
8. Thigh straps.
9. Thigh straps connecting/adjusting buckles.
10. Dorsal attaching D-ring - for attaching fall arrest system.
11. Crossing plate.
12. Dorsal strap adjusting buckle.
13. Belt pad.
14. Tool Plastic Drings.
15. Tool Loops.
16. Identity label

SIZES

Harness is manufactured in two sizes:

- universal - M-XL
- extra large -XXL

HARNES MARKING

Trade mark of the device	Type of the device	number / year of the European standard the equipment conform	caution: read the manual	CE marking and number of a notified body	Size:	Date of manufacture	Serial number:
					M-XL	12. 2008	0000000
					WORKSafe®		

Trade mark of the device
Type of the device
number / year of the European standard the equipment conform
caution: read the manual
CE marking and number of a notified body

Size: M-XL
Date of manufacture: 12. 2008
Serial number: 0000000
monthly/year of the device manufacture
number of the manufacturing series
marking of the manufacturer or distributor

these are many hazards that may affect the performance of the equipment and corresponding safety precautions that have to be observed during equipment utilization, especially:

- falling or slipping of lanyards or lifelines over sharp edges,
- any defects like cutting, abrasion, corrosion,
- pendulum falls,
- extremes of temperature,
- chemical reagents,
- electrical conductivity,
- personal protective equipment must be transported in the package (e.g.: bag made of moisture-proof textile or foil bag or crass made of plastic) to protect it against damage or moisture.
- the equipment can be cleaned without causing adverse effect on the materials in the manufacture of the equipment. For textile products use mild detergents; for delicate fabrics wash by hand or in a machine and dry in water. Plastic parts can be cleaned only with water. When the equipment becomes wet, either from being in use or when dry cleaning, it shall be allowed to dry naturally, and shall be kept away from direct heat. In metallic products some mechanical parts (spring, pin, hinge, etc.) can be regularly slightly lubricated to ensure better operation.
- Other maintenance and cleaning procedures should be adhered to detailed instructions stated in the manual of the equipment.
- personal protective equipment should be stored loosely packed, in a well-ventilated place, protected from direct light, ultraviolet degradation, damp environment, sharp edges, extreme temperatures and corrosive or aggressive substances.

IT IS THE RESPONSIBILITY OF THE USER ORGANIZATION TO PROVIDE THE IDENTITY CARD AND TO FILL IN THE DETAILS REQUIRED.
THE IDENTITY CARD SHOULD BE FILLED IN BEFORE THE FIRST USE BY A COMPETENT PERSON, RESPONSIBLE WITH USER ORGANIZATION FOR PROTECTIVE EQUIPMENT.
ANY INFORMATION ABOUT THE EQUIPMENT'S PERIODIC INSPECTIONS, REPAIRS, REASONS OF EQUIPMENT'S WITHDRAWAL FROM USE SHALL BE NOTED INTO THE IDENTITY CARD BY A COMPETENT PERSON.
THE IDENTITY CARD SHOULD BE STORED DURING A WHOLE PERIOD OF EQUIPMENT UTILIZATION.
DO NOT USE THE EQUIPMENT WITHOUT THE IDENTITY CARD.
ALL RECORDS IN THE IDENTITY CARD CAN BE FILLED IN ONLY BY A COMPETENT PERSON.

IDENTITY CARD

MODEL AND TYPE OF EQUIPMENT		DATE OF MANUF.	
REF. NUMBER			
SERIAL NUMBER			
USER NAME			

DATE OF PURCHASE

DATE OF PUTTING INTO OPERATION

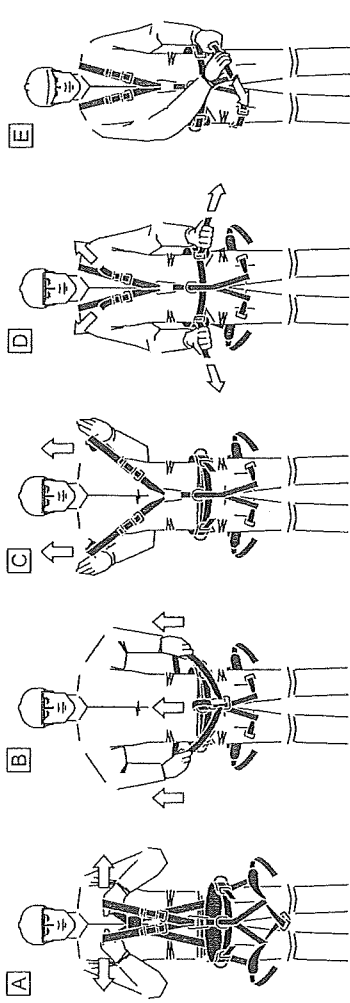
PERIODIC EXAMINATION AND REPAIR HISTORY				
DATE	REASON FOR ENTRY PERIODIC EXAMINATION OR REPAIR	DEFECTS NOTED, REPAIRS CARRIED OUT AND OTHER RELEVANT INFORMATIONS	NAME AND SIGNATURE OF COMPETENT PERSON	PERIODIC EXAMINATION NEXT DUE DATE
1				
2				
3				
4				

EC type examination carried out by CETE APAVE SUDEUROPE, BP 193, 13322 Marseille, France - 0082



PDS International Pte Ltd ; 10 Pandan Crescent, #05-03/04 (L12) ; UE Tech Park ; Singapore 128466
Tel : +65 6776 6200 ; Fax : +65 6778 2400

PUTTING ON THE HARNESS

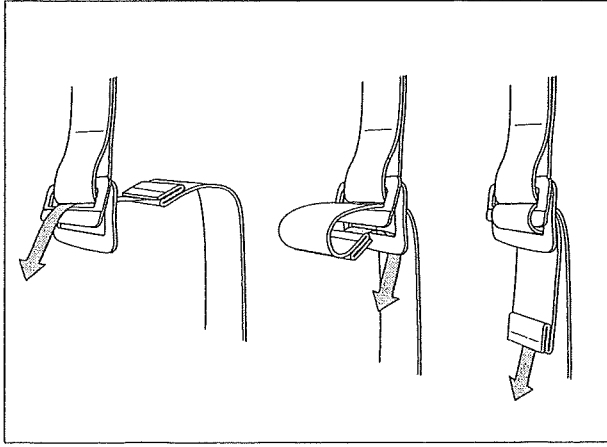


A. Take the harness by the shoulder straps. Widen the straps. The high straps are unfastened.

B. Put the harness on. Adjust the shoulder straps on. Necessarily protect free ends of the straps with the loops. Adjust the shoulder straps.

C. Fasten and adjust the high straps. Necessarily protect free ends of the straps with the loops.

Fastening the thigh straps

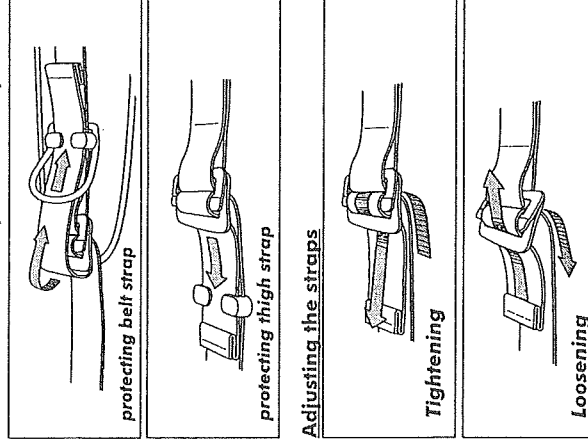


ATTENTION: Before use the belt the first time the user should carry out a suspension test in a safe place to ensure that the sit harness is the correct size, has sufficient adjustment and is of an acceptable contact level for the intended use.

Harness is put on correctly if:

- all straps are correctly adjusted (neither too loose nor too tight).
- back attaching buckle is correctly positioned at the level of the shoulder blades.
- front connecting snap hook is correctly positioned at the middle of the chest.
- the ends of the all straps must be kept by plastic loops.

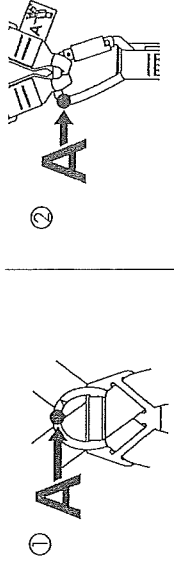
ATTENTION: Always protect free end of the strap with the loop



ATTACHING FALL ARREST SYSTEM

- Fall arrest system must be connected only to the attaching elements of the harness marked by capital letter A.
- The fall arrest system must be connected only to:
 - dorsal attaching D-ring - drawing (1).
 - to front connecting snap hook - drawing (2). It is strictly forbidden to attach a fall arrest system directly to the front loops of the harness.
- The dorsal attaching D-ring is marked by a capital letter A - engraved on the D-ring.
- Front attaching loops are marked by a capital letter A placed on the label sewn into one of the loops.

See drawings below.



- work positioning system could be attached only to the lateral buckles of the work positioning belt, and according to EN 338 - work positioning lanyard must be anchored to the point of construction that is situated at waist level or above. Work positioning lanyard must be kept taut to restrict free movement to a maximum 0,5 m.

WARNING:

- It is strictly forbidden to attach any fall arrest system to side buckle of work positioning belt.
- It is strictly forbidden to attach any work positioning system to front attaching loops or back attaching buckle.

ADMISSIBLE TIME OF USE

Safety harness can be used for 5 years. After this period the harness must be withdrawn from use to carry out manufacturer's detailed inspection. The manufacturer's inspection can be carried out by:

- manufacturer
 - or person recommended by manufacturer
 - or company recommended by manufacturer.
- During this inspection will be established admissible time of harness use till next manufacturer's inspection. Safety harness must be withdrawn from use immediately and destroyed when it have been used to arrest a fall.

THE ESSENTIAL PRINCIPLES FOR USERS OF PERSONAL PROTECTIVE EQUIPMENT AGAINST FALLS FROM A HEIGHT

- personal protective equipment shall only be used by a person trained and competent in its safe use.
- personal protective equipment must not be used by a person with medical condition that could affect the safety of the equipment user in normal and emergency use.
- a rescue plan shall be in place to deal with any emergency that could arise during the work.
- it is forbidden to make any alterations or additions to the equipment without the manufacturer's prior written consent.
- any repair shall only be carried out by equipment manufacturer or its certified representative.
- personal protective equipment shall not be used outside its limitations, or for any purpose other than that for which it is intended.
- personal protective equipment should be a personal issue item.
- before use ensure about the compatibility of items of equipment assembled into a fall arrest system. Periodically check connecting and adjusting of the equipment components to avoid accidental loosening or disconnection of the components.
- it is forbidden to use combinations of items of equipment in which the safe function of any one item is affected by or interferes with the safe function of another.
- before each use of personal protective equipment it is obligatory to carry out a pre-use check of the equipment, to ensure that it is in a serviceable condition and operates correctly before it is used.
- during pre-use check it is necessary to inspect all elements of the equipment in respect of any damages, excessive wear, corrosion, abrasion, cutting or incorrect coding, especially take into consideration:
 - in fall body harnesses and belts - buckles, adjusting elements, attaching points, webbing, seams, loops;
 - in energy absorbers - attaching loops, webbing, seams, casing, connectors;
 - in steel lanyards or lifelines or guidelines - rope, loops, thimbles, connectors, adjusting element, splices;
 - in steel lanyards or lifelines or guidelines - cable, wires, clips, ferrules, loops, thimbles, connectors, adjusting element;
 - in retractable fall arresters - cable or webbing, retractor and brake proper acting, casing, energy absorber, connector;
 - in guided type fall arresters - body of the fall arrester, sliding function, locking gear acting, rivets and screws, connector, energy absorber;
 - in connectors - main body, rivets, gate, locking gear acting.
- after every 12 months of utilization, personal protective equipment must be withdrawn from use to carry out periodic detailed inspection. The periodic inspection must be carried out by a competent person for periodic inspection, the periodic inspection can be carried out also by the manufacturer or his authorized representative.
- In case of some types of the complex equipment e.g. some types of retractable fall arresters the annual inspection can be carried out only by the manufacturer or his authorized representative.
- regular periodic inspections are the essential for equipment maintenance and the safety of the users which depends upon the continued efficiency and durability of the equipment.
- during periodic inspection it is necessary to check the legibility of the equipment marking.
- it is essential for the safety of the user that if the product is recalled outside the original country of destination the rescaller shall provide instructions for users, for maintenance, for periodic examination and for repair in language of the country in which the product is to be used.
- personal protective equipment must be withdrawn from use immediately when any doubt arise about its condition for safe use and not used again until confirmed in writing by equipment manufacturer or his representative after carried out the detailed inspection.
- personal protective equipment must be withdrawn from use immediately and destroyed when it have been used to arrest a fall.
- a fall body harness is the only acceptable body holding device that can be used in a fall arrest system.
- the anchor device or anchor point for the fall arrest system should always be positioned, and the work carried out in such a way, as to minimize both the potential for falls and potential fall distance.
- the anchor device/point should be placed above the position of the user. The shape and construction of the anchor device/point shall not allowed to self-closing disconnection of the equipment.
- Minimal static strength of the anchor device/point is 15 kN. It is recommended to use certified and marked structural anchor point complied with EN795.
- it is obligatory to verify the free space required beneath the user at the workplace before each occasion of use the fall arrest system, so that, in the case of a fall, there will be no collision with the ground or other obstacle in the fall path. The required value of the free space should be taken from instruction manual of used equipment.