



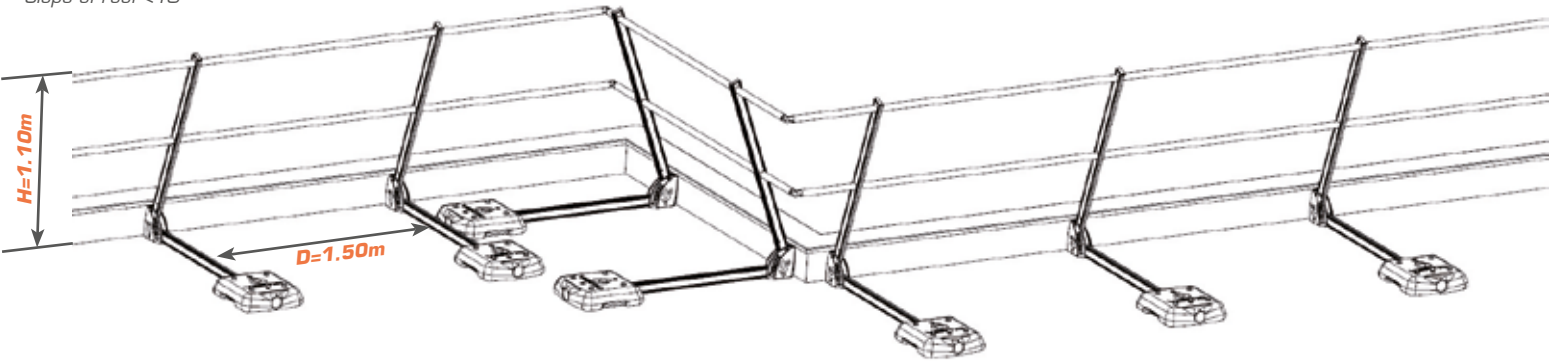
PRODUCT ADVANTAGES

- ▲ Made of aluminium
- ▲ Effective protection of the waterproofing membrane with the ergonomic, rounded shape of the counterweight and the front bumper. The plastic covering of the counterweight prevents any cracking of the concrete block
- ▲ Ease of installation: pre-assembled unit
- ▲ Stability of the system: the counterweight, that can be handled by one single person, includes an ergonomic handle, and assures the stability of the system
- ▲ Optimised storage: four locating pins ensure stacking and facilitate storage of the counterweights
- ▲ Free circulation of the rainwater under the crossbar

FREE-STANDING ALILISSE



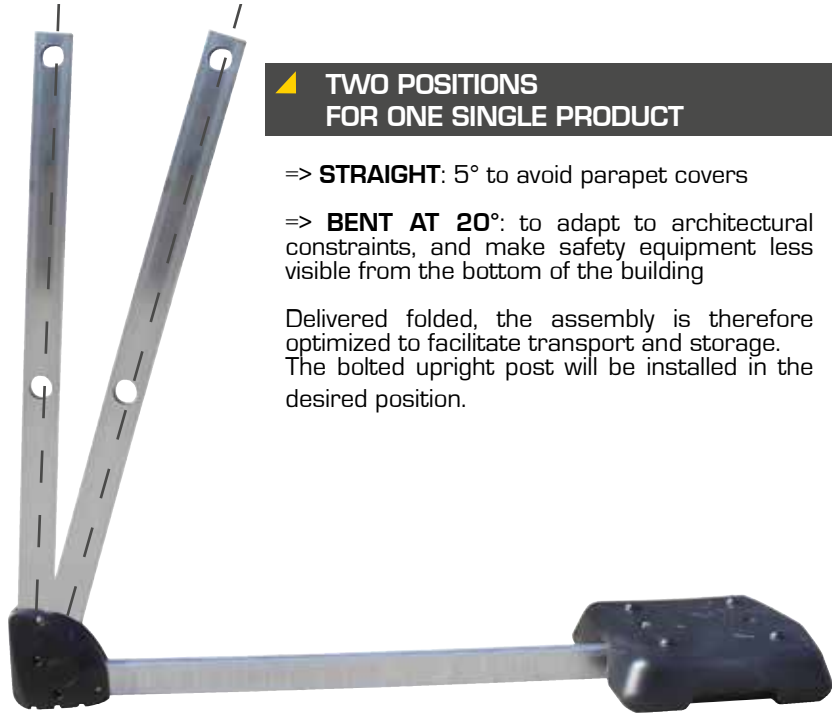
Slope of roof <math><10^\circ</math>



▲ TWO POSITIONS FOR ONE SINGLE PRODUCT

- => **STRAIGHT:** 5° to avoid parapet covers
- => **BENT AT 20°:** to adapt to architectural constraints, and make safety equipment less visible from the bottom of the building

Delivered folded, the assembly is therefore optimized to facilitate transport and storage. The bolted upright post will be installed in the desired position.



▲ EASY STORAGE AND TRANSPORT



Standard pallet
120x80cm

To complete and harmonize your existing installations, this upright post can be supplied with adjustable clamps.



COMPONENTS ALILISSE®

Top and middle rail
In 36mm extruded aluminium.
Supplied in 3m length, reduced at one end.



Articulated corner coupling
Allows making corners from 70° to 180°. Easily adjustable on site. Diametre and material are identical to the rail for an aesthetic continuity.

Bent corner
Can be fitted into the rails to ensure an aesthetic continuity. Easy installation.



Fixed straight coupling
For assembling longitudinal sections of non-reduced rails and middle rails. Fits directly inside the top and middle rails.

Assembly unit with counterweight
Rail and upright made of aluminium. Concrete counter-weight with plastic covering. Folded to optimize storage.



End plug
Discret ribbed plug for a perfect safety of the ends of top and middle rails.

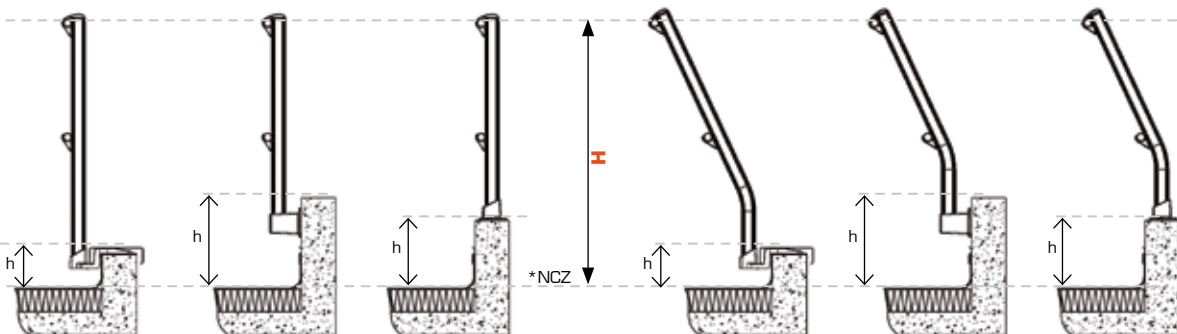
Aluminium plinth
The railing must be fixed with a plinth if the parapet measures less than 100mm (roofs) or 150mm (machines) in relation to the circulation area. End plugs and corners available.



Wall-mounting part
Enables the mounting of rails on any wall. Fixed directly on the wall with 2 fixings diameter 10mm maxi (not included).



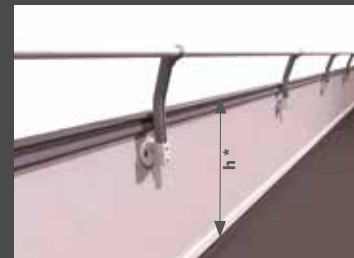
Different choice of upright according to the type of mounting plate and the height of the parapet



1000 < **H** < 1100 mm (NF E85-015)
H > 1100 mm (EN ISO 14122-3)

*NCZ : Normal circulation zone
(if there is some gravel, take the measurements above the gravel)

Parapet collar



Can be used in the case where a building has a peripheral parapet with a height of up to $h^* =$

50cm for roofs
60cm for machines

ALTISSSE ON PARAPET



ADJUSTABLE FIXING SYSTEM OF THE RAILS

The top and middle rails are maintained by a **patented clamping mechanism**.

Possible adjustment of the middle rail on the upright to standardize the intervals depending the height of the parapet.



INTERFACE FOR ISOLATED PARAPET

The RT2012 Thermal Regulation usually requires isolating the parapets. According to these requirements, a specific plate allows fixing the guardrail up to an insulating inner layer of 130mm.

Complying with the Professional recommendations of the CFSE (French Waterproofing Committee).

COMPONENTS ALTISSSE®

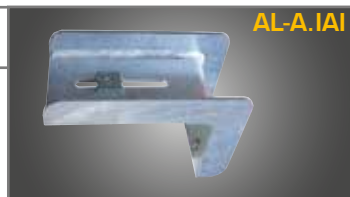
Extruded aluminium upright

Delivered with the fixing kit for top and middle rail pre-assembled. Allows the adjustment of the height of the middle rail on site.



Interface for isolated parapet

Reinforced bracket, made of galvanized steel, to be used with the side fixing plate.



Side mounting plate

Used when installing a guardrail against the parapet. Has a significant 70mm offset to make it compatible with the existing parapet cover.



Vertical mounting plate

Used when installing a handrail on the parapet. Can be mounted on a metallic or concrete support. Possible adjustment of the verticality.



Offset mounting plate

Installation on a concrete or metallic parapet, with 2 fixings M10 or 1 fixing M12 (not supplied). Possible adjustment of the verticality.



AL-LISSE



Top and middle rail

In 36mm extruded aluminium. Supplied in 3m length, reduced at one end.

AL-EAA



Articulated corner coupling

Allows making corners from 70° to 180°. Easily adjustable on site. Diametre and material are identical to the rail for an aesthetic continuity.

AL-ANG90



Bent corner

Can be fitted into the rails to ensure an aesthetic continuity. Easy installation.

AL-PAL



Aluminium plinth

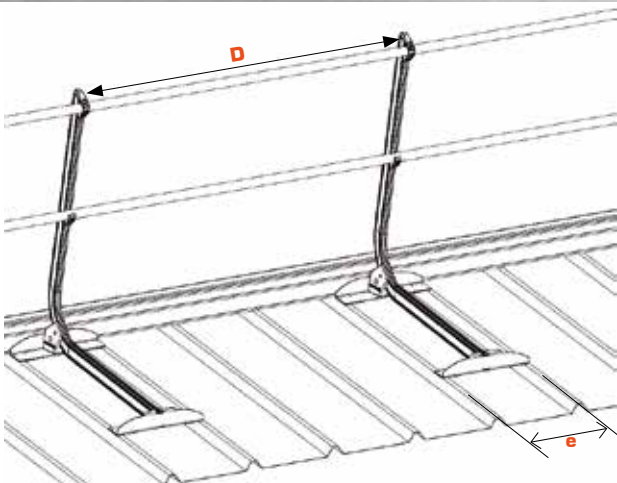
The railing must be fixed with a plinth if the parapet measures less than 100mm (roofs) or 150mm (machines) in relation to the circulation area. End plugs and corners available.

AL-EXTM



Wall-mounting part

Enables the mounting of rails on any wall. Fixed directly on the wall with 2 fixings diameter 10mm maxi (not included).



▲ **ADAPTATION TO PITCH OF CORRUGATIONS**

The distance «**D**» between the uprights depends on the spacing «**e**» of the corrugations:

=> For $e = 250\text{mm}$: $D = 1.5\text{m}$

=> For $e = 333\text{mm}$: $D = 1.332\text{m}$

Note: for buildings with a peripheral, horizontal parapet, the rail may not follow the horizontal line, since the system is mounted directly on the roof itself which may have a slope.

In this case, choose the cranked upright option, which is less visible.

ALILISSE ON STEEL DECK



COMPATIBILITY

Can be installed on all steel roofing, dry or sandwich panels, installed in accordance with DTU 40.35.

SPECIAL EXTENSION ARM

The arm, fitted with modular mounting plates, can be installed in either direction of the roof corrugations.

In the **standard** version, they can be fitted with a distance **between corrugations** of **250** or **333** mm.

MODULAR INSTALLATION

Can be mounted on the support **perpendicular** or **parallel** to the corrugations.

WATER TIGHTNESS OF THE ROOF

The watertightness of the roof is guaranteed owing to **EPDM** seals and the use of **6 waterproof rivets**.

EASY OF INSTALLATION

The top and middle rail use an **ingenious, patented clamping mechanism**.

Possible adjustment of the middle rail on the upright to standardize the intervals depending the height of the parapet.



STANDARD HEIGHT

Since they are **fitted directly on the pedestrian area**.

COMPONENTS ALILISSE®

Top and middle rail

In 36mm extruded aluminium.
Supplied in 3m length, reduced at one end.

AL-LISSE



AL-EAA

Articulated corner coupling

Allows making corners from 70° to 180°. Easily adjustable on site. Diametre and material are identical to the rail for an aesthetic continuity.



Bent corner

Can be fitted into the rails to ensure an aesthetic continuity.
Easy installation.

AL-ANG90



AL-PAL

Aluminium plinth

The railing must be fixed with a plinth if the parapet measures less than 100mm (roofs) or 150mm (machines) in relation to the circulation area.



Straight Assembly unit

Pre-drilled bottom plates at 250 and 333mm intervals.

Quickly installed, and strong assembly (6 rivets per upright).

Delivered with assembly kit of top and middle rail pre-assembled.

AL-A.EBD



AL-ERF

Fixed straight coupling

For assembling longitudinal sections of non-reduced rails and middle rails. Fits directly inside the top and middle rails.



AL-BOUCH

End plug

Discret ribbed plug for the ends of top and middle rails.



Bent assembly unit

Pre-drilled bottom plates at 250 and 333mm intervals.

Quickly installed, and strong assembly (6 rivets per upright).

Delivered with assembly kit of top and middle rail pre-assembled.

AL-A.EBC



AL-EXTM

Wall-mounting part

Enables the mounting of rails on any wall. Fixed directly on the wall with 2 fixings diameter 10mm maxi (not included).





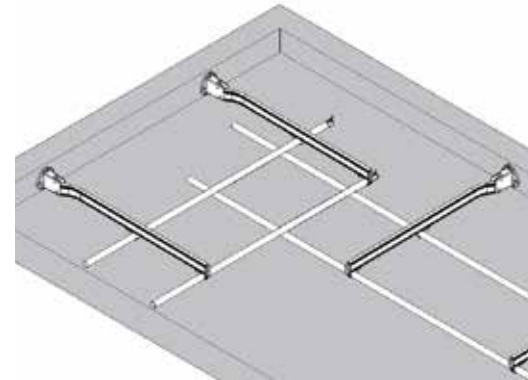
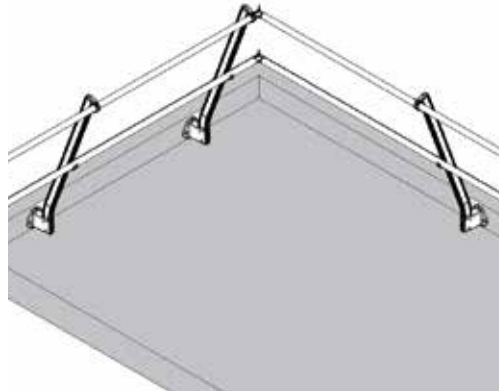
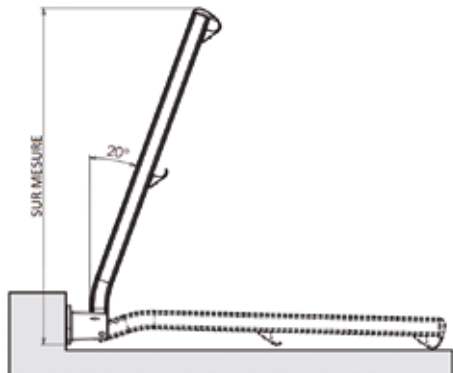
CAN BE FOLDED BY ONE SINGLE PERSON



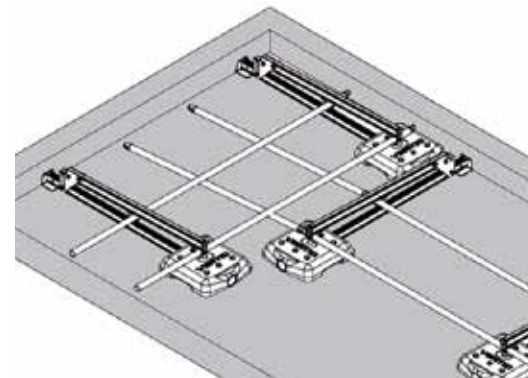
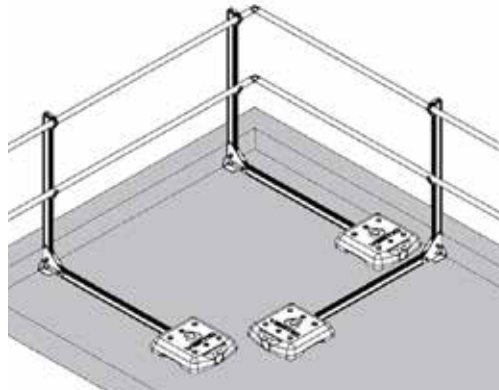
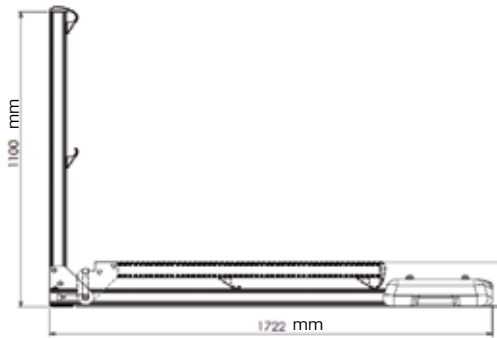
FOLDING ALILISSE



FOLDING STRAIGHT OR BENT GUARDRAIL AGAINST PARAPET



FREE STANDING STRAIGHT OR CURVED GUARDRAIL



COMPONENTS ALILISSE®

Top and middle rail

AL-LISSE



In 36mm extruded aluminium.
Supplied in 3m length, reduced at one end.

AL-EAR



Articulated corner coupling

Allows making corners from 70° to 180°.
Easily adjustable on site.
Includes a captive winged screw.

Folding unit: Straight, with counterweight

AL-A.ELDR



Concrete counter-weight.
Front bumper made of galvanised steel with EPDM protection.

AL-A.SLDR



Straight folding assembly unit

The plate as a significant 70mm offset to make it compatible with the existing parapet cover.

A single tool (n°10) is used for tightening the counterweight and the clamps.

The plate is fixed with M10 fixings (not included).

Folding unit: Bent, with counterweight

AL-A.ELCR



Concrete counter-weight.
Front bumper made of galvanised steel with EPDM protection.

AL-A.SLCR



Bent folding assembly unit

The plate as a significant 70mm offset to make it compatible with the existing parapet cover.

A single tool (n°10) is used for tightening the counterweight and the clamps.

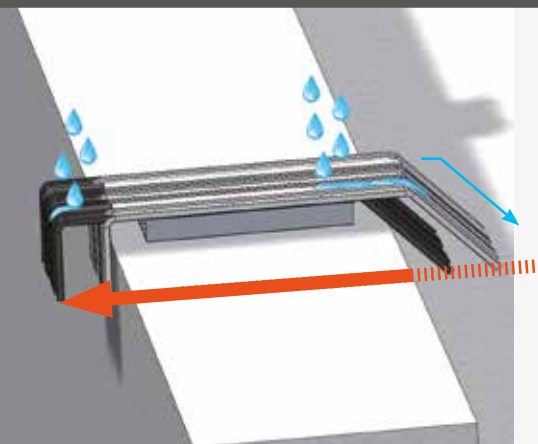
The plate is fixed with M10 fixings (not included).



PRODUCT ADVANTAGES

- ▲ System made of aluminium or lacquered steel
- ▲ Protection of the parapet against the infiltrations
- ▲ Invisible fixing
- ▲ Sliding and draining splice bar system

▲ ADJUSTABLE DRAINING SPLICE BAR



The splice bar, clipped on its support, can be adjusted to line up the parapet cover.