



Fall Protection Anchorage Systems

TECHNICAL SELECTION GUIDE

MILLER[®]

by Honeywell



ABOUT HONEYWELL SAFETY PRODUCTS

Honeywell Safety Products is the world's largest supplier of personal protective equipment (PPE) and safety solutions.

Our network of production, support and safety experts comprises more than 10,000 employees in 30 countries. Our aim is to deliver more than just a product or service: each and every one of us is committed to providing life-saving protection to our customers.

Our employees work in 40 production sites, 30 research centres, 25 distribution centres and 69 administrative branches around the world.

Thanks to our global presence, we can work hand-in-hand with end consumers – to understand their challenges, utilise their knowledge of the dangers they face and find effective solutions for them.

Miller® fall protection

Miller provides personal protective equipment for fall protection, sophisticated fall arresting systems, training, technical advice and risk assessments, product inspection and repairs, installation advice and installation of fall protection systems through partner companies.

For more than 65 years, Miller products have protected workers at heights in a number of industries, including construction, oil and gas, telecommunications, wind power, transport, mining, general industry, utility providers and many more.



Miller personal protective equipment for fall protection

Miller is a global expert in permanent fall protection systems, including horizontal and vertical, cable and rail systems.

The systems protect workers at heights and allow for controlled climbing along rails or cables. They automatically stop accidental falls within just a few centimetres. Miller systems can be used by more than one person at the same time.

Thanks to various mountings and fixings, the systems can be installed on virtually any structure where climbing is required. The wide range of accessories can also be used to continuously protect workers when moving from vertical to horizontal climbways, and around curves, corners and obstacles.

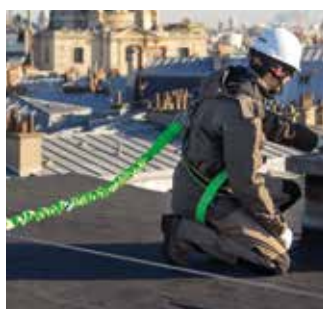
The various components of the modular systems have been designed, inspected and tested in compliance with European standards, and some components also

meet additional international standards (OSHA, ANSI, AUS/NZ, CSA).

Miller products are developed by qualified engineers and technical specialists in a highly-modern, in-house testing facility that not only confirms that specific standards are met, but also ensures these criteria are often exceeded, to achieve the maximum level of safety. Furthermore, Miller products are also tested by notified bodies in order to certify compliance with the standards. Honeywell Safety Products holds and maintains ISO 9001 certifications for its production locations.

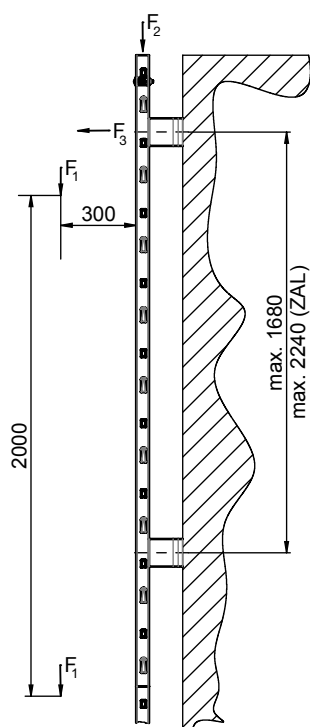
Contents

Introduction	04
VERTICAL RAIL SYSTEMS	
Söll GlideLoc® Aluminium Ladders.....	07
Söll GlideLoc® Steel/Stainless Steel Ladders.....	55
Söll GlideLoc® Guide Rails	93
HORIZONTAL RAIL SYSTEMS	
Söll GuideLoc	111
Söll MultiRail®	119
Söll MultiRail® Aluminium.....	129
VERTICAL LIFELINE SYSTEM	
Söll Vi-Go®	139
HORIZONTAL LIFELINE SYSTEMS	
Söll SafeLine®	149
Söll ShockFusion® / Fusion®	155
Söll Xenon®	156
OTHER PRODUCTS	
Anchor Points and Söll Universal Posts	157
Training Courses	165



Statics

Minimum dimensions Bolts and structural bodies



General rules for the calculation of anchoring forces are found in DIN 18799, May 2009. Proof of practical usability and safety of installation are treated as two different things. When referring to safety of installation, the installer should consider dead weight, forces activated during use and occasional forces (fall accidents, other external forces). Different safety factors have to be considered to cover those effects.

The following must be implemented, whereby the most unfavourable case must always be taken into account in the calculations:

- Occasional forces (fall accident):
A load of $F_2 = 6$ kN acting along the centre of the ladder is to be assumed. This load may be distributed over four mounting elements (if available).
- Forces activated during use:
Loads $F_1 = 1.5$ kN are assumed to occur eccentrically 30 cm in front of the ladder centre and in distances of 5.0 m from each other in the ladder direction, to be calculated with horizontal load $F_3 = 0.3$ kN (at the most unfavourable point).

The minimum dimension of the bolts is M12. When installing ladders to chimneys, only bolts manufactured from grade A 4 stainless steel as per DIN EN ISO 3506-1 in a minimum size of M20 should be used. M12 can be used with anchoring distances up to 1.25 m. When ordering brackets, ensure the holes will accommodate the chosen bolt size.

For brickwork

there are only a few plugs which are approved by building inspection authorities. Determine the anchoring forces as described above and select suitable screws and mounting elements. Individual acceptance tests in consultation with building inspection authorities in order to confirm the carrying capacity of the attachment elements are recommended.

For concrete structures

we recommend the use of plugs which have been approved by building inspection authorities, such as Fischer and Hilti. Follow the technical instructions given by the manufacturer. Evidence must be provided that the carrying capacity of the attachment elements satisfies the requirements of the anchoring force.

For lattice masts

the installation method depends on the individual profile. For this application, we recommend our angle corner mounting elements or mounting elements for diagonal struts. Customised brackets available upon request.

Guide rail extensions

If the climbway ends on a platform, the guide rail must extend at least 1,000 mm beyond the top edge of the platform in accordance with regulations. A reinforcement must be used for this purpose, which must extend down over the last two mounting brackets.

Ladder projection

The minimum ladder projection is 150 mm in accordance with DIN 18799. Our accessories are designed for this minimum measurement.

The following ladder projections must be observed when using footrests:

Aluminium ladders	Without reinforcement	Min. 150 mm
	With reinforcement	Min. 180 mm
Steel/stainless steel ladders	with/without reinforcement	Min. 150 mm

Exception:

A ladder projection of 180 mm must be observed when using footrests with working platforms.

Lightning protection

The guide rails and ladders can be used as part of a lightning protection system. DIN 57185 parts I and II and VDE guideline 0185 parts I and II must be complied with.

Maximum wind exposure surfaces/ice load

Reference surfaces (maximum planned area):

Ladder type	Dry in m ² /m	With 2 cm ice in m ² /m	Ice load G2 in kg/m
Y-spar, aluminium, TB 150 mm	0,096	0,210	10,43
Twin, aluminium, TB 150 mm	0,150	0,338	11,85
Y-spar, steel/stainless steel	0,079	0,191	9,16
Guide rail, steel/stainless steel	0,055	0,110	5,12
Guide rail, aluminium	0,059	0,124	5,30

The reference surfaces for our guide rails/ladders do not include any basic force coefficient or drag coefficient. This coefficient is:

basic force coefficient/drag coefficient: $C_{fo} = 1.6$

Use of fall protection systems

Our fall protection systems have been designed to protect individuals with a distance of min. 3m to each other against falling, providing the structural conditions allow for the load (6 kN for the first person + 1.5 kN for every additional person).

Gap widths

In positive ambient temperatures: gap width 2 mm

In negative ambient temperatures: gap width 3 mm

During repeat inspection, ensure that the maximum gap width of 5 mm is not exceeded (regardless of ambient temperatures).

Standards and regulations

EN 353-1:	Personal protective equipment against falls from a height - Fall arresters
EN 353-2:	Personal protective equipment against falls from a height - Guided type fall arresters including a flexible anchor line
EN 354:	Personal fall protection equipment - Lanyards
EN 355:	Personal protective equipment against falls from a height - Energy absorbers
EN 358:	Personal protective equipment for work positioning and prevention of falls from a height - Belts for work positioning and restraint and work positioning lanyards
EN 360:	Personal protective equipment against falls from a height - Retractable type fall arresters
EN 361:	Personal protective equipment against falls from a height - Full body harnesses
EN 362:	Personal protective equipment against falls from a height - Connectors
EN 363:	Personal fall protection equipment - Personal fall protection systems
EN 365:	Personal protective equipment against falls from a height - General requirements for instructions for use, maintenance, periodic examination, repair, marking and packaging
EN 795:	Personal fall protection equipment - Anchor devices
EN ISO 14122-4:	Permanent means of access to machinery - Fixed ladders
EN 14396:	Fixed ladders for manholes
DIN 18799-1:	Fixed ladders for construction works - Ladders with two uprights
DIN 18799-2:	Fixed ladders for construction works - Ladders with one upright

For chimneys

DIN 1056:	Solid construction, free-standing chimneys - Brick liners
EN 1993-3-2:	Design of steel structures - Towers, masts and chimneys
DIN 13084-1:	Free-standing chimneys - Part 1: General requirements

Söll GlideLoc® Aluminium Ladders

- Vertical fall protection system
- Certified according to EN 353-1:2002 and CNB/P/11.073



Subject to technical change. Please follow our maintenance and fitting instructions.

www.honeywellsafety.com

Söll GlideLoc® Aluminium ladders

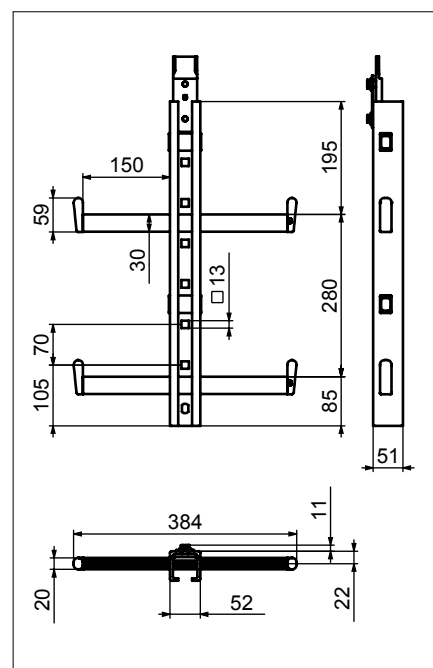
Y-spar

- Profile 52 x 51 mm
- With connector
- Mounting distance: recommended 1,400 mm - max. 1,680 mm
- The bracket is mounted to the ladder through the rectangular cut-outs in the back of the guide rail or through the guide rail catch bar
- Max. section length 4,480 mm
- Rung distance 280 mm
- Step width per side 150 mm

Material: Anodised aluminium

Weight: 3.2 kg/m

Part no. YAL-<ladder length in mm>



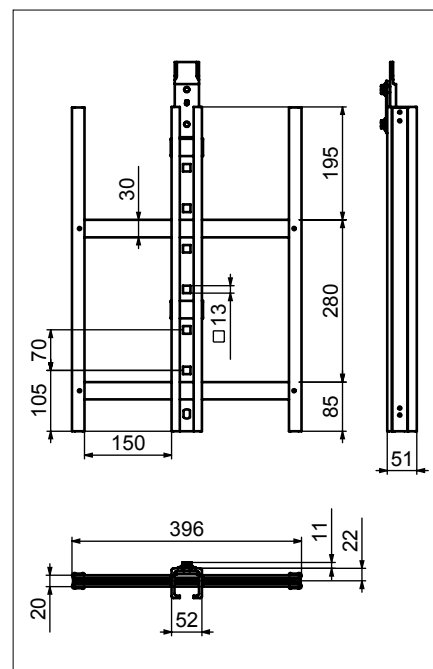
Twin ladder

- With side rails
- Profile 52 x 51 mm
- With connector
- Mounting distance: recommended 1,400 mm - max. 2,240 mm
- The bracket is mounted to the ladder through the rectangular cut-outs in the back of the guide rail or through the guide rail catch bar
- Max. section length 4,480 mm
- Rung distance 280 mm
- Step width per side 150 mm

Material: Anodised aluminium

Weight: 3.5 kg/m

Part no. ZAL-<ladder length in mm>



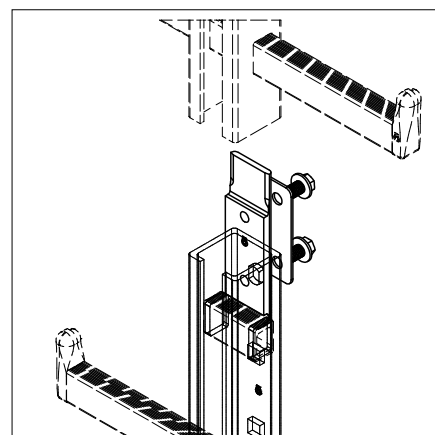
Subject to technical change. Please follow our maintenance and fitting instructions.

Söll GlideLoc® Aluminium ladders

Connector

- With safety cover plate
- To connect Y-spar ladders
- Complete with all mounting elements
- Included in the delivery of each Y-spar ladder
- Must be used when an existing Y-spar ladder is cut and reconnected

Material: Anodised aluminium
Weight: 0.1 kg/each
Part no. **17440**



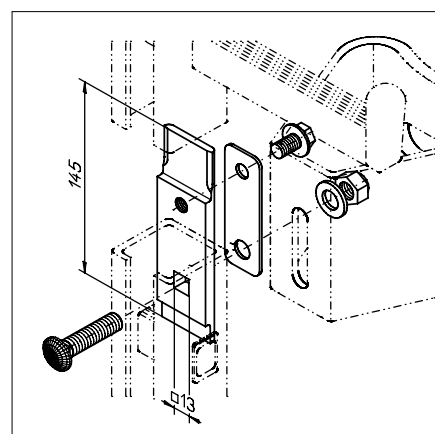
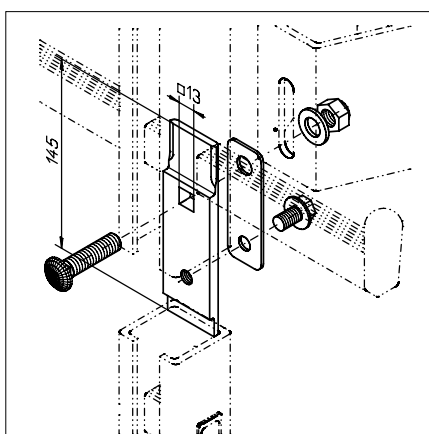
Connector with square hole

- With safety cover plate
- To connect Y-spar ladders
- Can be used in connection with mounting bracket
- Recess in Y-spar ladder must be increased to accommodate size M12
- Complete with all mounting elements

Material: Anodised aluminium
Weight: 0.22 kg/each

Upper square mounting hole
Part no. **21458**

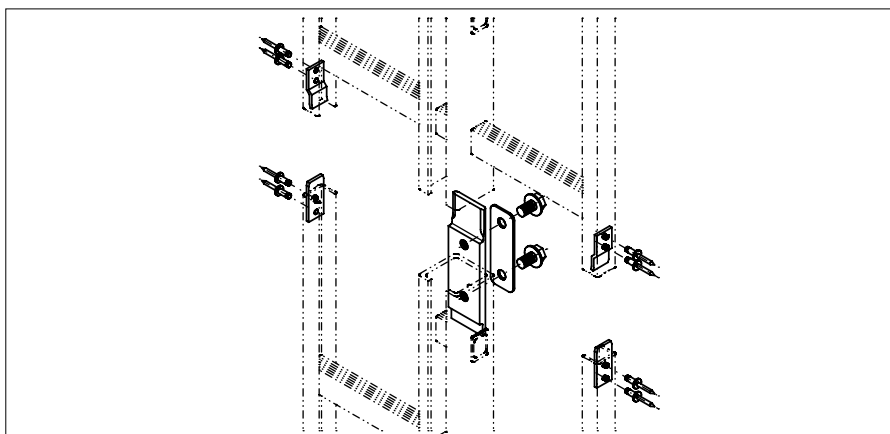
Lower square mounting hole
Part no. **22096**



Set of connectors

- To connect twin ladders
- Complete with all mounting elements
- Included in the delivery of each twin ladder
- Must be used when an existing twin ladder is cut and reconnected

Material: Anodised aluminium
Weight: 0.25 kg/each
Part no. **21876**



Subject to technical change. Please follow our maintenance and fitting instructions.

Söll GlideLoc® Aluminium ladders

Replacement rung

- To replace damaged rungs on Y-spar and twin ladders
- Includes one rung and mounting material

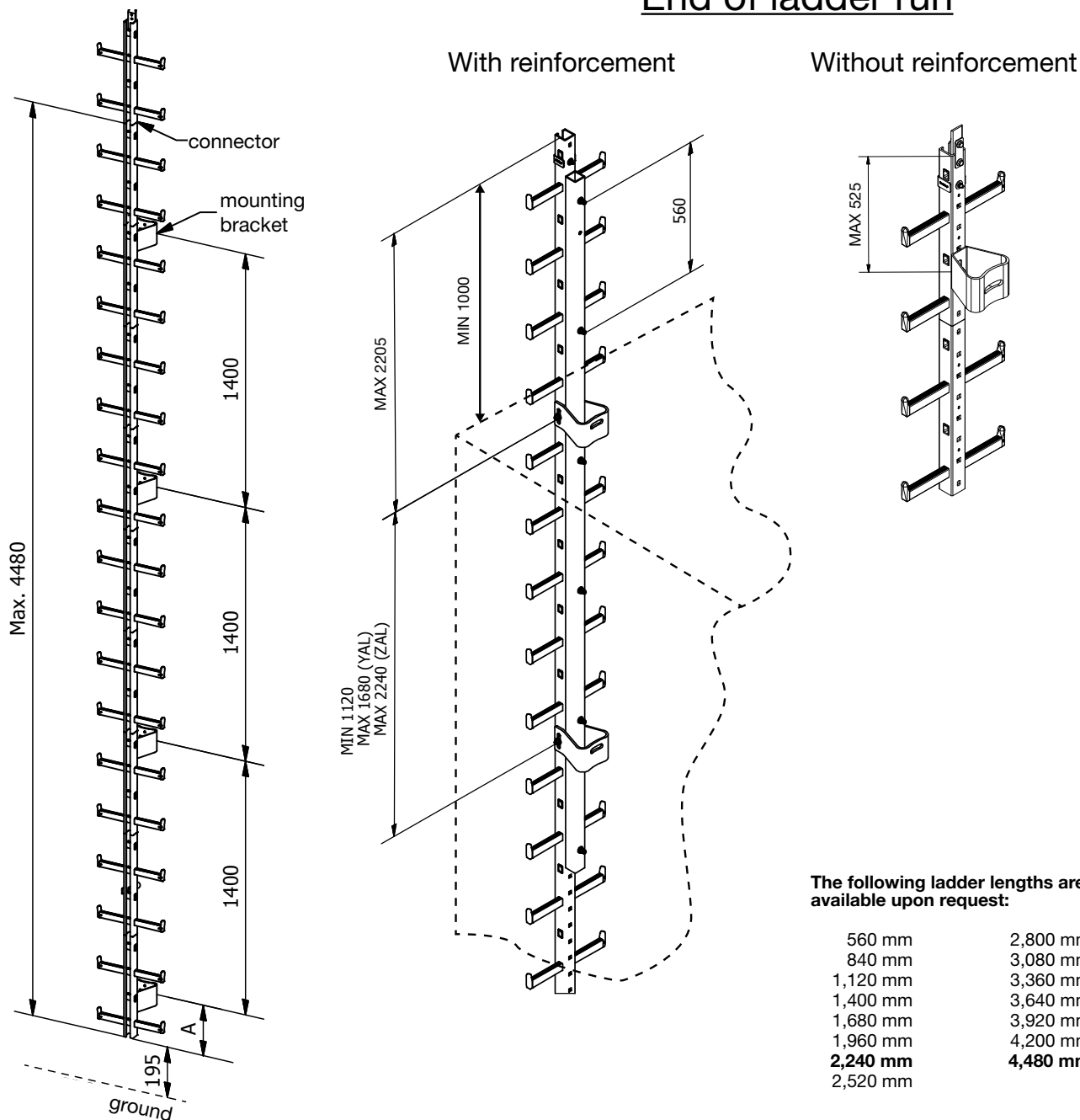
Material: Anodised aluminium
Weight: See table
Part no. See table



Ladder type	Rung width in mm	Weight in kg/each	Part no.
Y-spar	150	0.35	17534
Y-spar	180	0.39	17657
Twin	150	0.29	25660
Twin	180	0.33	25661

Fixing points for aluminium Y-spar and twin ladders
Recommended mounting distance 1,400 mm - max. 1,680 mm or 2,240 mm

End of ladder run



Note:

For design reasons, the guide rail of the ladder must be reinforced if, at the end of the ladder run, the guide rail rises more than 525 mm (dimension A) above the last mounting bracket. Projections of more than 525 mm without extra reinforcement are not permitted. The guide rail reinforcement is bolted onto the guide rail from the back at a distance of 560 mm and must extend down over at least two mounting brackets. It must not extend beyond a ladder joint.

Aluminium ladders are subject to temperature-dependent variation of length, which is approximately twice the variation of supporting frameworks made of steel or concrete. In order to avoid stress on the ladder fixings, minimum gap widths should be observed for the ladder joints.

Subject to technical change. Please follow our maintenance and fitting instructions.

Bending of aluminium ladders

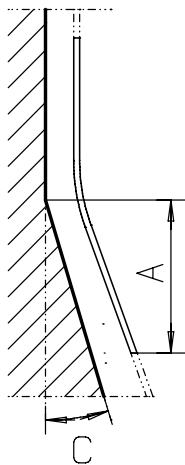
Required information for planning:

Bending Y-spar ladder, aluminium
Bending twin ladder, aluminium

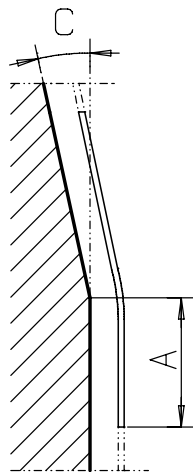
Part no. YAL-<type>
Part no. ZAL-<type>

Length of ladder section to be bent

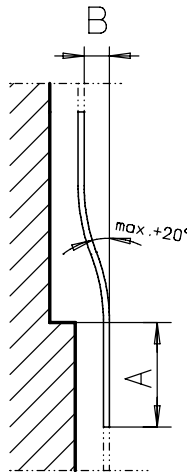
Type 1



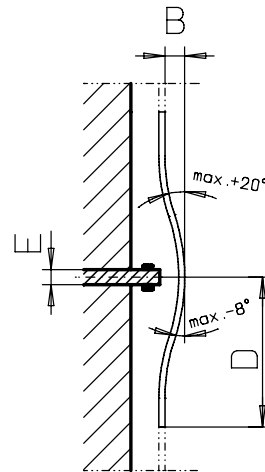
Type 2



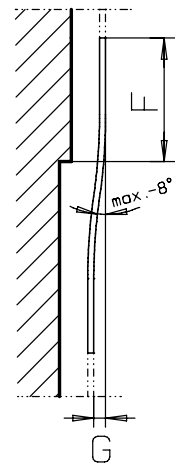
Type 3



Type 4



Type 5



A = Bottom edge of ladder to salient point of structure (mm)

B = Offset (mm)

C = Angle (max. 15°)

D = Bottom edge to centre of obstruction (mm)

E = Width of obstruction (mm)

F = Upper edge of ladder to offset (mm)

G = Offset (max. 260 mm)

NB:

The smallest bending radius for aluminium ladders is 3,000 mm

The extent of the bending depends on the bending radius and angle (type 1 + 2) or offset (type 3 - 5).

The surcharge for bending is calculated by bending type and offset.

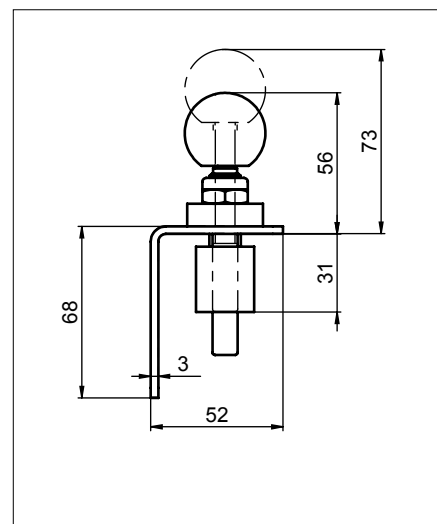
Söll GlideLoc[®] aluminium ladders

End-stops

End-stop, top/bottom

- Prevents the fall arrester from either being inserted incorrectly or accidentally slipping out of the guide rail
- Complete with all mounting elements

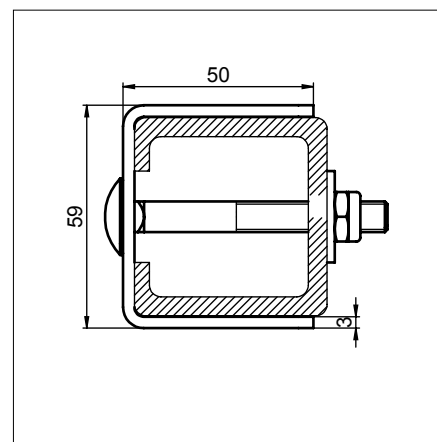
Material: Stainless steel, pickled
Weight: 0.3 kg/each
Part no. **26026**



Rigid end-stop

- Prevents the fall arrester from being taken out of the guide rail
- Complete with all mounting elements

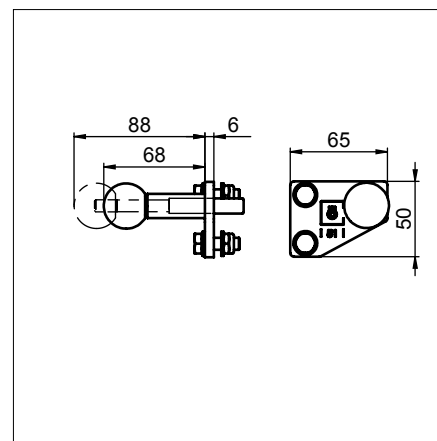
Material: Stainless steel, pickled
Weight: 0.2 kg/each
Part no. **11634**



End-stop, top/bottom side

- Prevents the fall arrester from either being inserted incorrectly or accidentally slipping out of the guide rail
- Complete with all mounting elements
- Used for:
 - Ladder projection < 150 mm
 - Mounting with reinforcement

Material: Stainless steel, pickled
Weight: 0.2 kg/each
Part no. **27138**



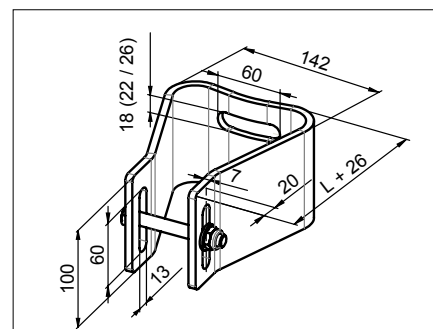
Subject to technical change. Please follow our maintenance and fitting instructions.

Söll GlideLoc[®] aluminium ladders Mounting elements

Open bracket

- Complete with mounting elements for fixing to ladder
- Wall attachment must be drilled to suit site conditions. Minimum bolt diameter M16

Material: Anodised aluminium
Weight: See table
Part no. See table



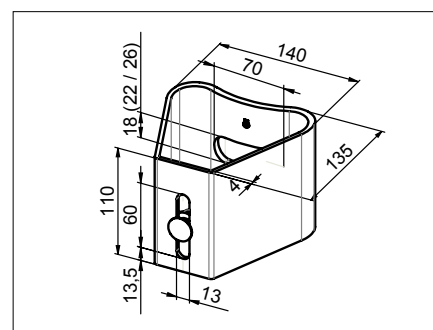
Pro-jection (mm)	Bolt diameter of structure	Weight (kg/each)	Part no.
150	M16	0.9	14673
150	M24	0.9	16874
160	M16	1.0	15141
160	M24	1.0	21233
170	M16	1.0	15143
170	M24	1.0	27127
180	M16	1.1	15146
180	M20	1.1	24735
180	M24	1.1	24682

Pro-jection (mm)	Bolt diameter of structure	Weight in kg/each	Part no.
190	M16	1.1	15148
190	M24	1.1	22072
200	M16	1.2	15150
200	M24	1.2	25237
210	M16	1.2	17352
210	M20	1.2	24736
220	M16	1.3	10519
220	M24	1.3	21375

Closed bracket

- Complete with mounting elements for fixing to ladder
- Wall attachment must be drilled to suit site conditions. Minimum bolt diameter M16
- Variable mounting distance possible by moving and turning the bracket as required

Material: Anodised aluminium
Weight: See table
Part no. See table



Pro-jection (mm)	Bolt diameter of structure	Weight in kg/each	Part no.
150	M16	0.7	10566
150	M20	0.7	22246
150	M24	0.7	16867

Note:

Projection 'L' depends on the type of bracket.

Subject to technical change. Please follow our maintenance and fitting instructions.

Söll GlideLoc® aluminium ladders

Mounting elements

Closed bracket

- Complete with mounting elements for fixing to ladder
- Wall attachment must be drilled to suit site conditions. Minimum bolt diameter M16
- Variable mounting distance possible by moving and turning the bracket as required
- Projection 220 mm

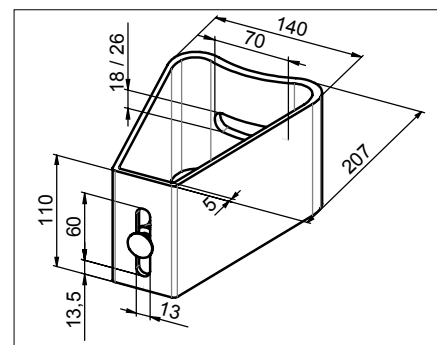
Material: Anodised aluminium
Weight: 0.7 kg/each

M16

Part no. 21443

M24

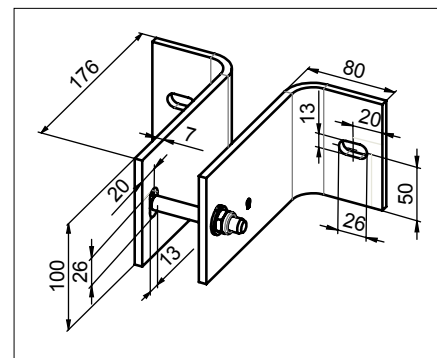
Part no. 26204



Bracket

- Consists of two bracket halves
- Complete with mounting elements for fixing to ladder
- Wall attachment must be drilled to suit site conditions. Minimum bolt diameter 2 x M12
- Mounting distance on brickwork: 560 mm

Material: Anodised aluminium
Weight: 0.7 kg/each
Part no. 10521



Söll GlideLoc[®] aluminium ladders

Mounting elements

Clamp

- Projection up to 1,000 mm possible
- Complete with mounting elements for fixing to ladder
- Please indicate the exact mast diameter 'D' and projection 'L' when placing the order
- Material thickness 'z' of clamp halves:
 - Up to Ø 210 mm 'z' = 6 mm
 - From Ø 220 mm 'z' = 8 mm
- Mast diameter:
 - Min. 60 mm
 - Max. 1,500 mm

Weight: Depends on mast diameter and projection

Material: Steel, hot-dip galvanised

Part no. **BS-STS-<Ø in mm>**

Material: Stainless steel, pickled

Part no. **BS-A4S-<Ø in mm>**

Not shown:

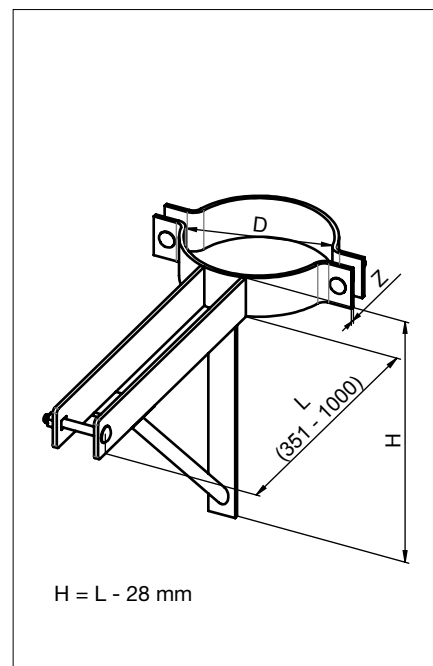
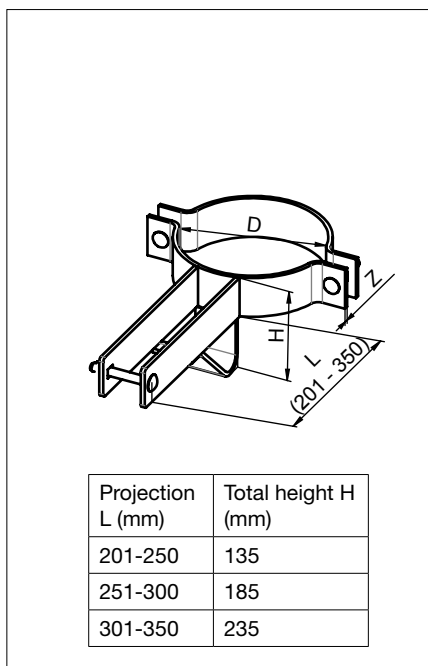
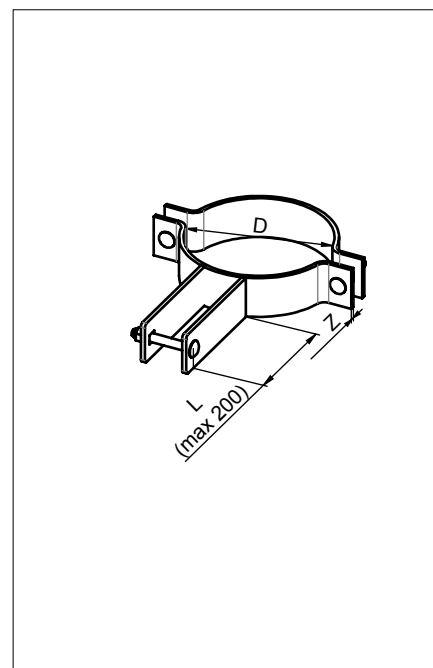
Reinforced clamp without support strut

- Projection from 130 mm to 400 mm possible
- Mounting on catch bar
- Complete with mounting elements for fixing to ladder
- Please indicate the exact mast diameter 'D' and projection 'L' when placing the order

Weight: Depends on mast diameter and projection

Material: Steel, hot-dip galvanised

Part no. **BS-STS-<Ø in mm>VERST**



Note:

Projection 'L' depends on the type of bracket.

Subject to technical change. Please follow our maintenance and fitting instructions.

Söll GlideLoc[®] aluminium ladders

Mounting elements

Bracket

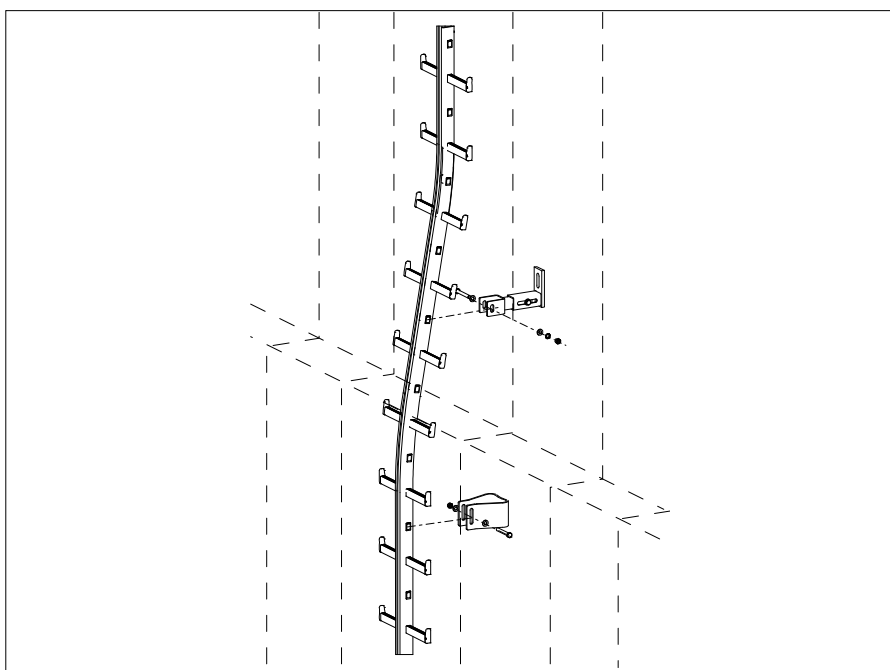
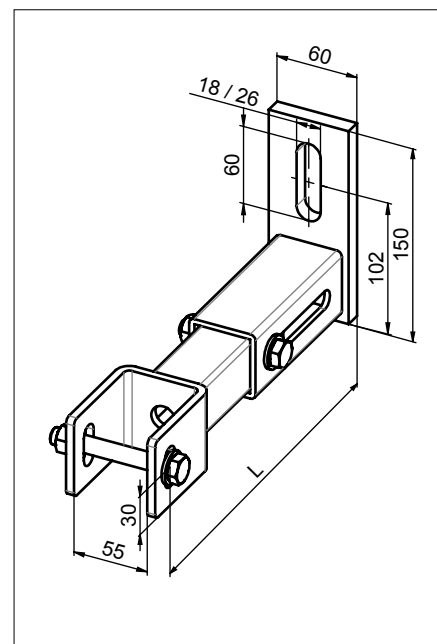
- With adjustable projection
- Used where ladder bends
- Mounting on catch bar
- Complete with all ladder mounting elements
- Wall attachment must be drilled to suit site conditions, minimum bolt diameter M16

Material: Steel, hot-dip galvanised

Weight: See table

Part no. **BB VSTS<projection in mm>** (see table)

Pro-jection (mm)	Bolt diame-ter of structure	Weight (kg/each)	Part no.
200 - 275	M16	0.7	15563
200 - 275	M24	0.7	22380
276 - 350	M16	0.7	15566
276 - 350	M24	0.7	22378
351 - 425	M16	0.7	17309
351 - 425	M24	0.7	22377
426 - 500	M16	0.7	20832
426 - 500	M24	0.7	23134
501 - 575	M16	0.7	21241
501 - 575	M24	0.7	26119
576 - 650	M16	0.7	23029
651 - 725	M16	0.7	23030



Note:

Projection 'L' depends on the type of bracket.

Subject to technical change. Please follow our maintenance and fitting instructions.

Söll GlideLoc[®] aluminium ladders

Mounting elements

Clamp

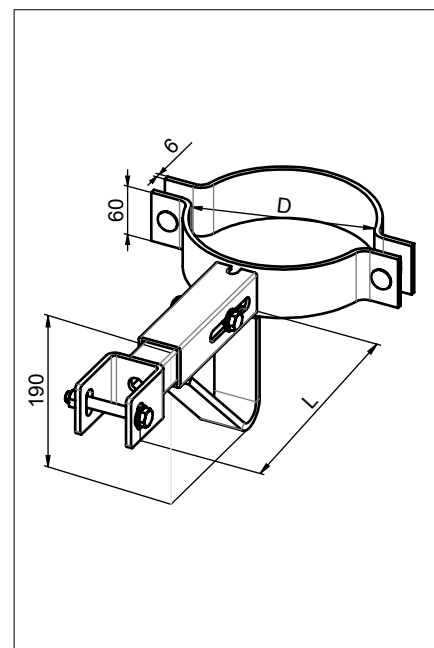
- With adjustable projection
- Used where ladder bends
- Complete with all ladder mounting elements
- Please indicate the exact mast diameter and projection range when placing the order
- Mast diameter:
Min. 60 mm
Max. 1,500 mm
- Projection ranges:
L = 250 - 325 mm
L = 326 - 400 mm
L = 401 - 475 mm

Material: Steel,
hot-dip galvanised

Weight: Depends on mast
diameter
and projection

Part no. **BS-VSTS- $\langle\text{Ø in mm}\rangle$**

Other projections available upon
request



Weld-on bracket

- To be welded on site
- Projection 150 mm
- Complete with all mounting elements
- Ensure structure is suitable for welding

Material: Steel, raw
Weight: 1.0 kg/each

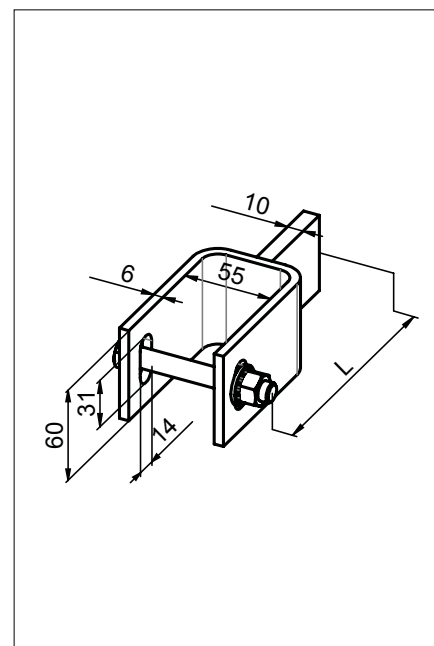
Part no. **17254**

Material: Steel,
hot-dip galvanised

Weight: 1.0 kg/each

Part no. **20848**

Other projections available upon
request



Note:

Projection 'L' depends on the type of bracket.

Subject to technical change. Please follow our maintenance and fitting instructions.

Söll GlideLoc[®] aluminium ladders

Mounting elements

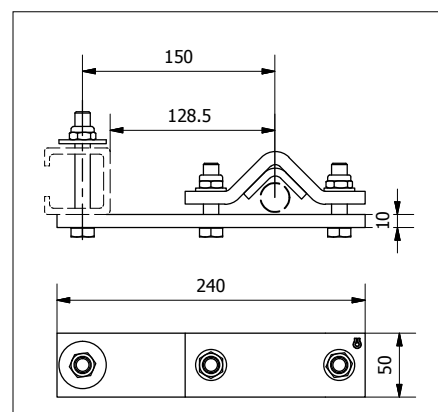
Bracket

- For use on tube structures of 20 - 70 mm diameter
- Projection 150 mm
- Complete with all mounting elements
- Support structure must be checked to ensure sufficient strength
- Please indicate the exact tube diameter

Material: Steel, hot-dip galvanised

Weight: 1.8 kg/each

Part no. 11226



Angle corner mounting bracket

- For use on corner struts of lattice masts with angle profile
- Complete with all mounting elements
- Support structure must be checked to ensure sufficient strength

Material: Steel, hot-dip galvanised

For use on corner struts with angle profile up to 100 x 100

Weight: 2.1 kg/each

Part no. 11025

For use on corner struts with angle profile from 110 x 110 to 140 x 140

Weight: 2.4 kg/each

Part no. 14696

For use on corner struts with angle profile from 150 x 150 to 180 x 180

Weight: 2.5 kg/each

Part no. 14698

For use on corner struts with angle profile from 190 x 190 to 220 x 220

Weight: 2.8 kg/each

Part no. 14699

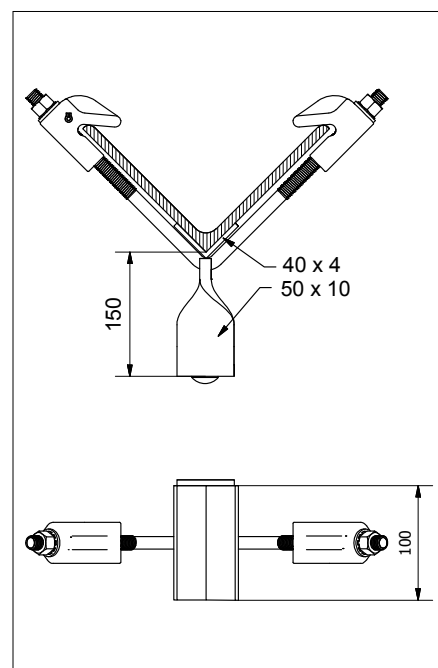
For use on corner struts with angle profile from 230 x 230 to 260 x 260

Weight: 2.9 kg/each

Part no. 14700

Angle corner mounting bracket with cable holder available upon request

Other projections available upon request



Note:

Projection 'L' depends on the type of bracket.

Subject to technical change. Please follow our maintenance and fitting instructions.

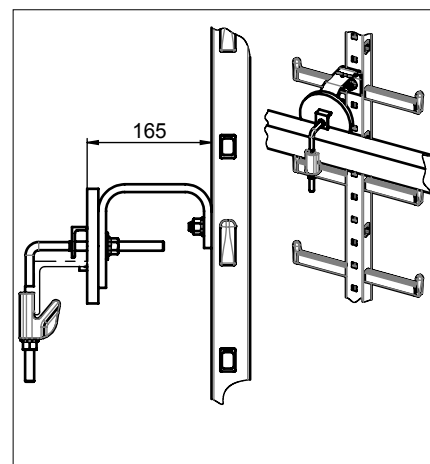
Söll GlideLoc[®] aluminium ladders

Mounting elements

Mounting element

- For diagonal struts on lattice masts on the exterior of the corner strut
- Complete with all mounting elements
- Please indicate strut width

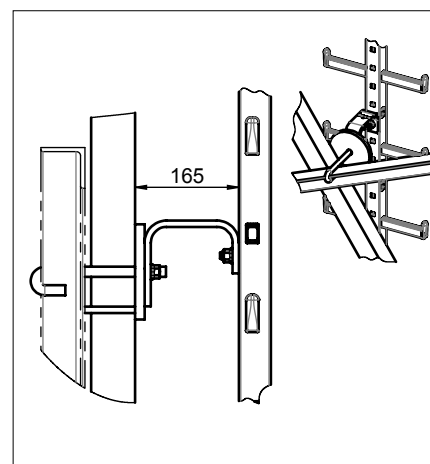
Material: Steel, hot-dip galvanised
Weight: Depends on size
Part no. **BB-DA**



Mounting element

- For crossings of diagonal struts on lattice masts
- Complete with all mounting elements
- Please indicate the strut width and any filler plate measurements

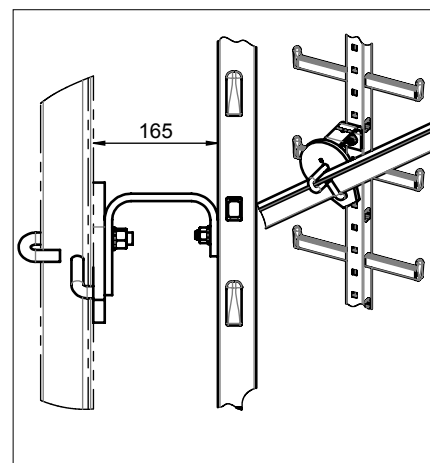
Material: Steel, hot-dip galvanised
Weight: Depends on size
Part no. **BB-DK**



Mounting element

- For diagonal struts on lattice masts on the interior of the corner strut
- Complete with all mounting elements
- Please indicate strut width

Material: Steel, hot-dip galvanised
Weight: Depends on size
Part no. **BB-DI**



Note:

Projection 'L' depends on the type of bracket.

Subject to technical change. Please follow our maintenance and fitting instructions.

Söll GlideLoc® aluminium ladders

Footrests

Folding footrest

- Complies with DIN 18799
- For Y-spar and twin ladders with step widths of 150 and 180 mm
- Rung distance 280 mm
- Recommended mounting distance 10 m
- Complete with all mounting elements

Material: Steel,
hot-dip galvanised

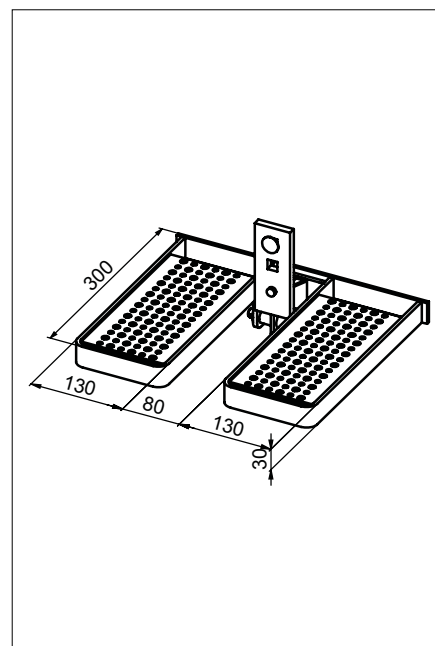
Weight: 4.2 kg/each

Part no. **23722**

Material: Stainless steel,
pickled

Weight: 4.6 kg/each

Part no. **26503**



Footrest

- With working platforms on both sides
- To provide working access adjacent to the ladder
- Footrest and platforms can be folded
- Mounted to the guide rail and mast at the same time
- For use by one person only
- Complete with all mounting elements
- Rung distance 280 mm
- Step width 150 and 180 mm
- Please indicate the following required information:

Mast diameter D

Projection L

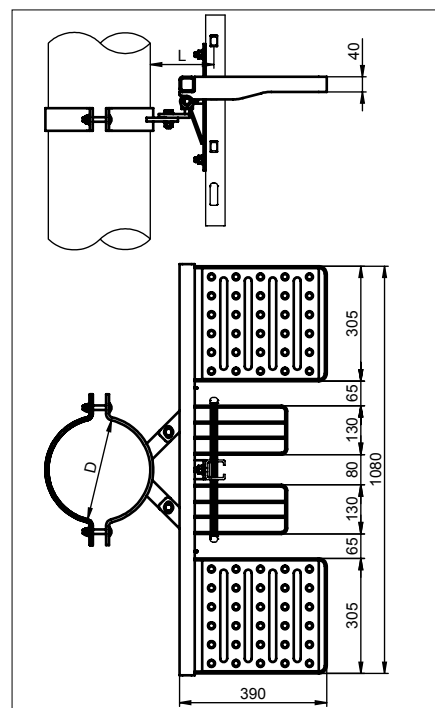
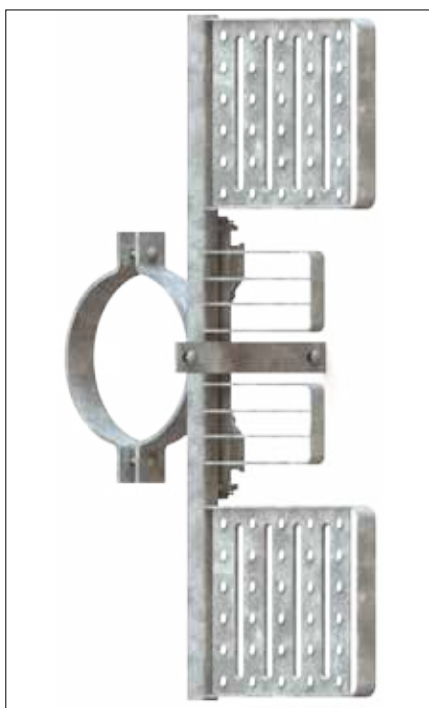
Material: Steel,
hot-dip galvanised

Weight: Depends on mast
diameter

Part no. **26534**

Stainless steel available upon request

Wall and angle corner mounting bracket available upon request



Subject to technical change. Please follow our maintenance and fitting instructions.

Söll GlideLoc[®] aluminium ladders Footrests

Footrest

- With one working platform on left side
- To provide working access adjacent to the ladder
- Footrest and platform can be folded
- Mounted to the guide rail and mast at the same time
- For use by one person only
- Complete with all mounting elements
- Rung distance 280 mm
- Please indicate the following required information:

Mast diameter D
Projection L

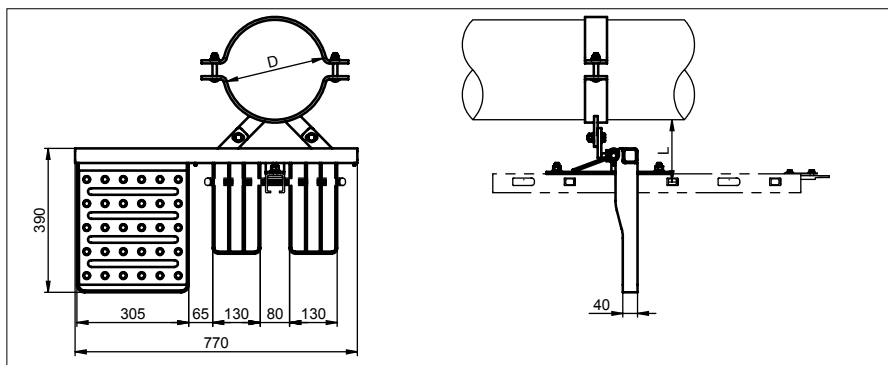
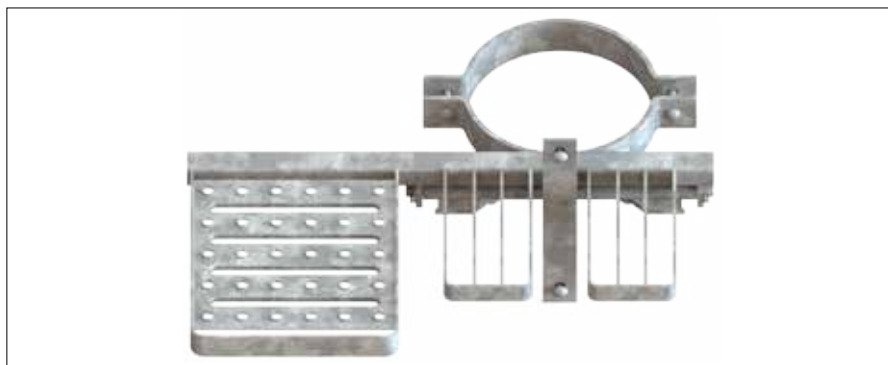
Material: Steel, hot-dip galvanised

Weight: Depends on mast diameter

Part no. **26543**

Stainless steel available upon request

Wall and angle corner mounting bracket available upon request



Footrest

- With one working platform on right side
- To provide working access adjacent to the ladder
- Footrest and platform can be folded
- Mounted to the guide rail and mast at the same time
- For use by one person only
- Complete with all mounting elements
- Rung distance 280 mm
- Please indicate the following required information:

Mast diameter D
Projection L

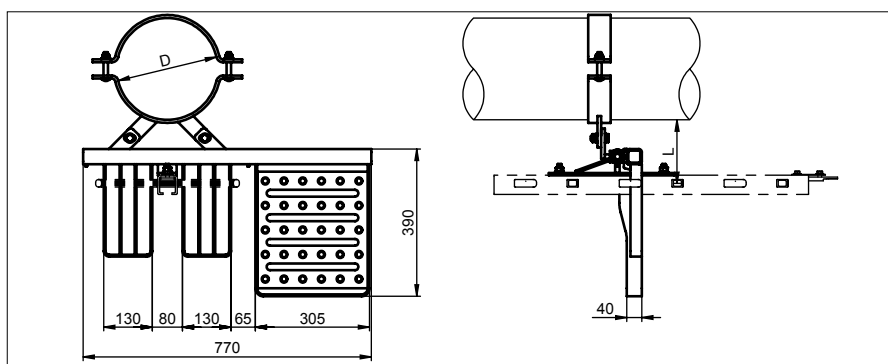
Material: Steel, hot-dip galvanised

Weight: Depends on mast diameter

Part no. **26545**

Stainless steel available upon request

Wall and angle corner mounting bracket available upon request



Subject to technical change. Please follow our maintenance and fitting instructions.

Söll GlideLoc[®] aluminium ladders

Footrests

Footrest

- Pivotal
- For all aluminium Y-spar and twin ladders
- Complete with all mounting elements

Hinge on left side

Material: Steel, hot-dip galvanised

Weight: 17.5 kg/each

Part no. **15391**

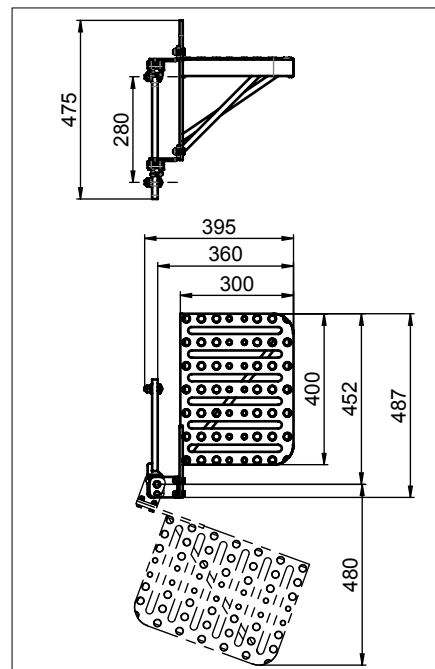
Hinge on right side

Material: Steel, hot-dip galvanised

Weight: 17.5 kg/each

Part no. **16547**

Stainless steel available upon request



Folding footrest

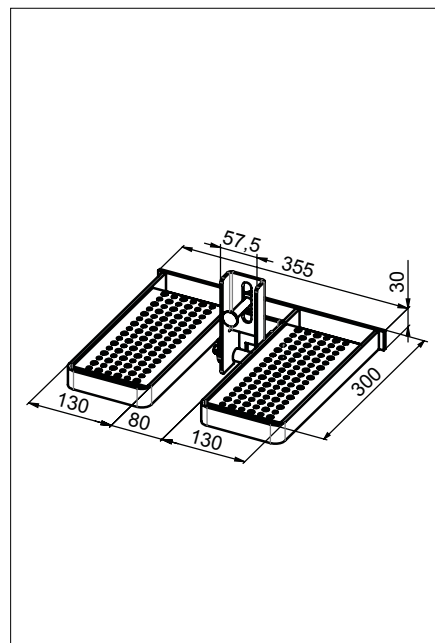
- Complies with DIN 18799
- For climbways with reinforcement
- Recommended mounting distance 10 m
- Rung distance 280 mm
- Complete with all mounting elements

Material: Steel, hot-dip galvanised

Weight: 4.0 kg/each

Part no. **23980**

Stainless steel available upon request



Not shown

Footrest for aluminium ladders with profile 50 x 50 mm

Material: Steel, hot-dip galvanised

Weight: 4.1 kg/each

Part no. **24032**

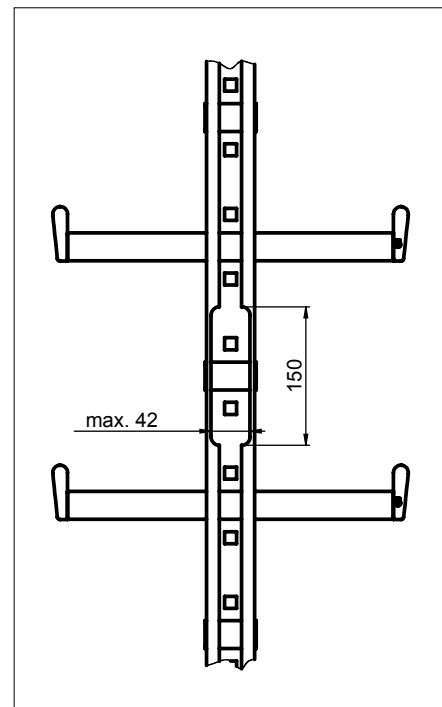
Subject to technical change. Please follow our maintenance and fitting instructions.

Söll GlideLoc[®] aluminium ladders

Recess

Recess

- For aluminium Y-spar and twin ladders
- To insert and take out the fall arresters
- As the fall protection unit does not have a protective function within the recess, there must be an end-stop (ordered separately) attached above the recess
- **The recess may only be at the beginning of the climbway, e.g. near the ground or on platforms with handrails**
- **A recess must not be used where there is a risk of falling for the user**
- **If the fall arrester is removed from the climbway course, an exit section has to be used**
- **At the time of ordering, the part of the ladder with a recess must be marked with an 'A' or the notice 'with recess'**



Söll GlideLoc[®] aluminium ladders

Exit section

Exit section

- To be installed within the climbway
- To remove or insert the fall arrester
- Comes with single-use mounting tool
- For Y-spar and twin ladders

Material: Anodised aluminium

Weight: 2.8 kg/each

Part no. 10550

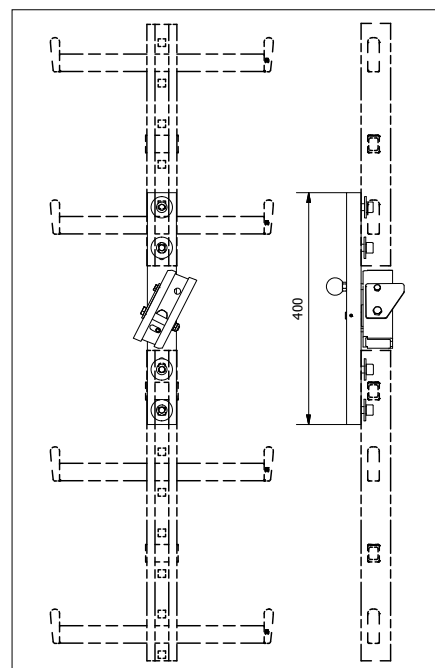
Factory assembly of the exit section

At the time of ordering, the part of the ladder with the factory assembled exit section must be marked with 'AV' or the notice 'with assembled exit section'.

In the case of assembly at the factory, please also specify the installation height.

Please note:

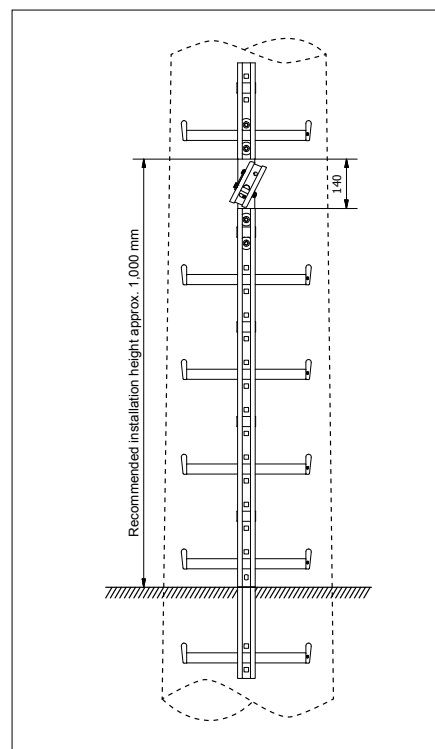
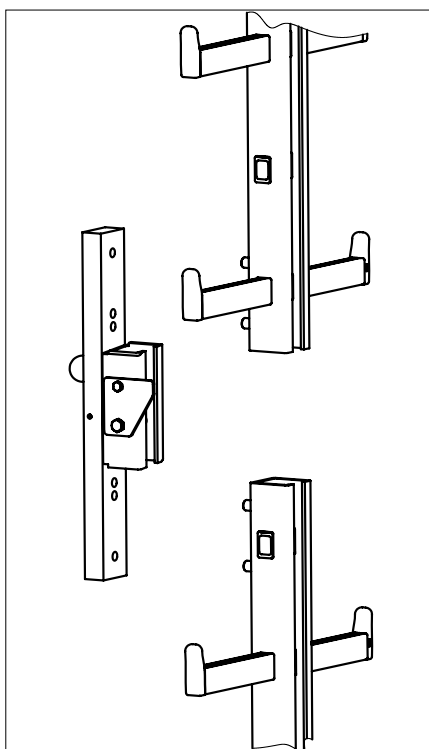
Installation is only possible **between** two rungs.



Possible installation heights in a ladder section of 4,480 mm:

Height from bottom ladder section	
490 mm	Between 2nd and 3rd rung
770 mm	Between 3rd and 4th rung
1,050 mm	Between 4th and 5th rung
1,330 mm	Between 5th and 6th rung
1,610 mm	Between 6th and 7th rung
1,890 mm	Between 7th and 8th rung
2,170 mm	Between 8th and 9th rung
2,450 mm	Between 9th and 10th rung
2,730 mm	Between 10th and 11th rung
3,010 mm	Between 11th and 12th rung
3,290 mm	Between 12th and 13th rung
3,570 mm	Between 13th and 14th rung
3,850 mm	Between 14th and 15th rung

- Can be used for rung distance of 280 mm and 250 mm
- The recommended installation height is approx. 1,000 mm above the top edge of the footrest



Subject to technical change. Please follow our maintenance and fitting instructions.

Söll GlideLoc[®] aluminium ladders

Rotary exit section

Rotary exit section

- Used for leaving or entering the ladder system safely onto or from the platform behind the ladder
- Rotary exit section can be turned left or right
- Please take total ladder length up to rotary disk into account when ordering
- The top two rungs of the last ladder section must be removed
- Footrest with two individually foldable platforms

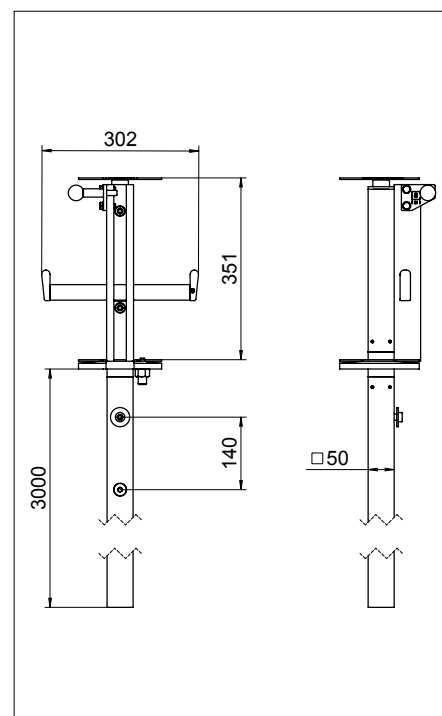
With footrest

Material: Anodised aluminium
Weight: 17.0 kg/each
Part no. **10558**

Without footrest

Material: Anodised aluminium
Weight: 12.5 kg/each
Part no. **21814**

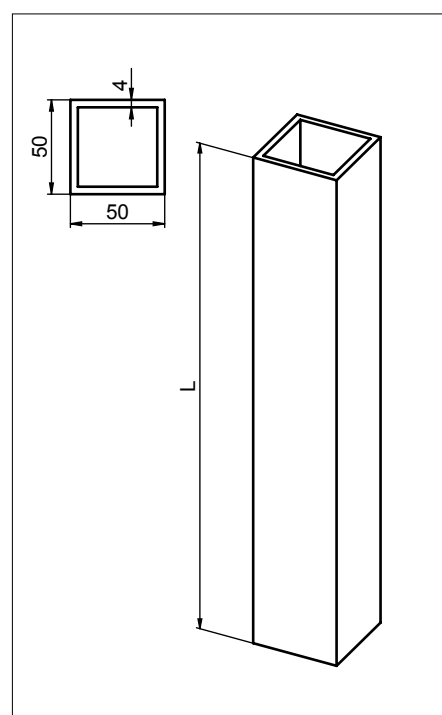
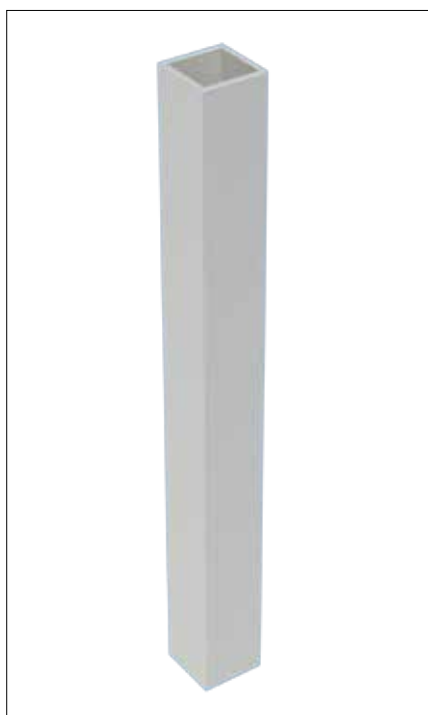
Factory assembly on a ladder section
Part no. **16604**



Reinforcement

- Required when the distance between last mounting point and the top end of the ladder exceeds 525 mm
- Must be bolted onto the profile every 560 mm
- Must extend down over at least two mounting brackets
- Complete with all mounting elements
- For Y-spar and twin ladders
- Square tube 50 x 50 x 4 mm

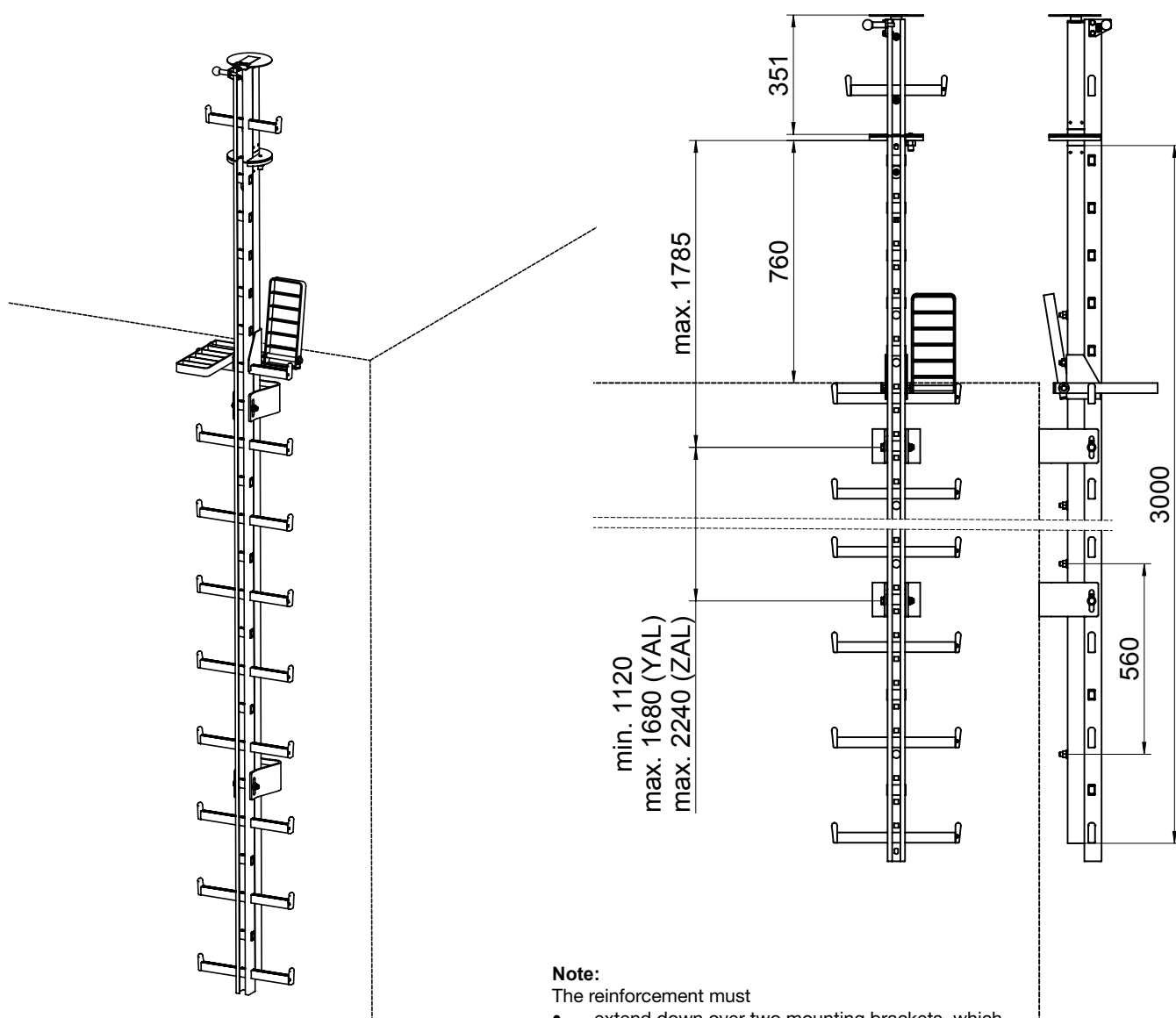
Material: Anodised aluminium
Weight: Approx. 2.0 kg/m
Part no. **HV-AL-<length in mm>**



Subject to technical change. Please follow our maintenance and fitting instructions.

Söll GlideLoc[®] aluminium ladders

Planning aid for rotary exit section



Note:

The reinforcement must

- extend down over two mounting brackets, which must be mounted at a distance of at least 1,120 mm
- be bolted to the ladder every 560 mm

There must be no ladder joints in the area of the reinforcement!

Subject to technical change. Please follow our maintenance and fitting instructions.

Söll GlideLoc[®] aluminium ladders

Pivoting roof exit

Pivoting roof exit

- To be used in confined spaces
- Used for leaving or entering the ladder system safely onto or from the platform behind the ladder
- Hinge can be on left or right side
- Complete with all mounting elements
- To be fixed on the central spar of the ladder
- Top ladder section must be at least 1,400 mm long

Material: Hot-dip galvanised steel

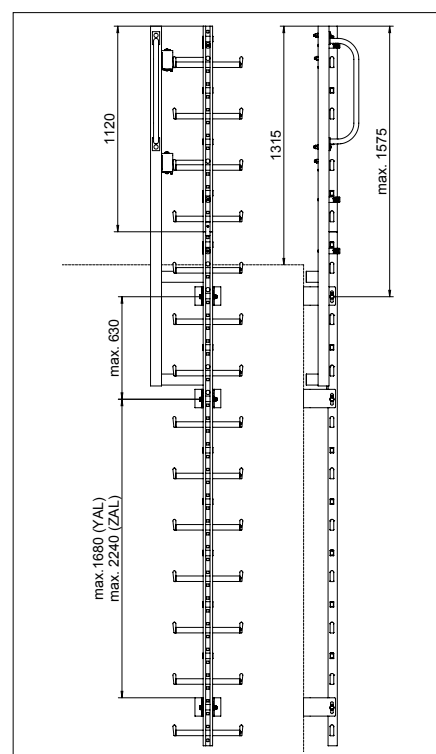
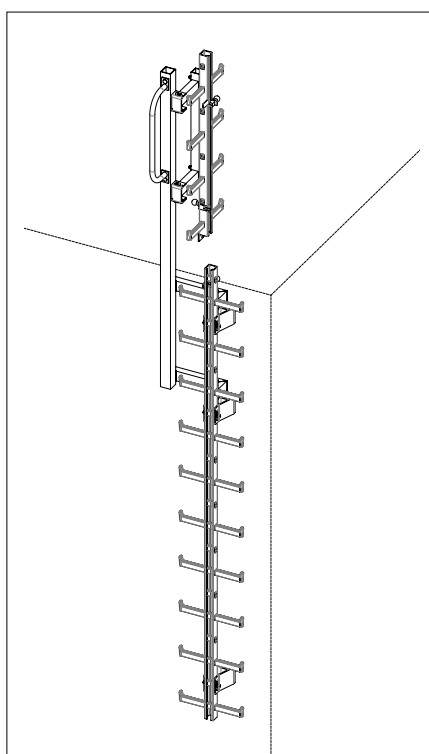
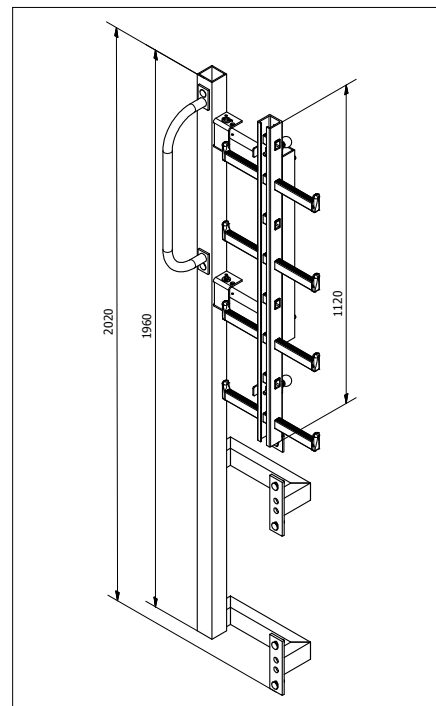
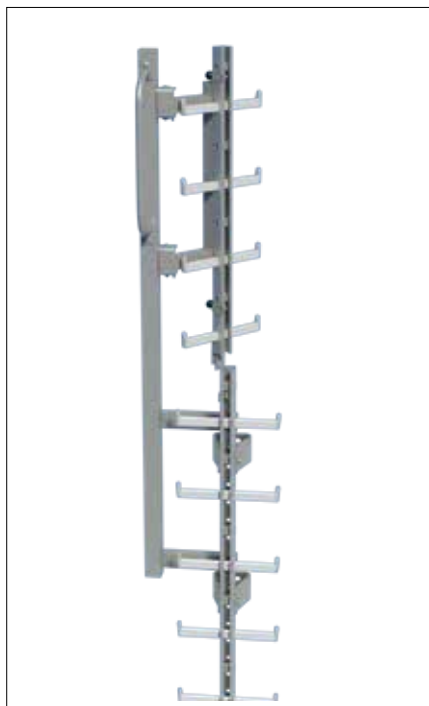
Weight: 33.0 kg/each

Hinge on left side

Part no. 23144

Hinge on right side

Part no. 24946



Subject to technical change. Please follow our maintenance and fitting instructions.

Söll GlideLoc® aluminium ladders Cover plate

Aluminium cover plate

- For Y-spar and twin ladders
- Without ladder section
- Prevents unauthorised people from climbing the front or the rear of the ladder
- Brackets are covered as well (up to projection 150 mm)
- Opens laterally
- Hinge can be on left or right side
- Hinges can be switched on site
- Stainless steel fixings
- Cylinder lock
- Plate length 2,500 mm
- Width 523 mm
- Width when cover plate is open 991 mm

Material: Anodised aluminium
Weight: 34.2 kg/each

Hinge on left side
Part no. 21683

Hinge on right side
Part no. 21759

Factory assembly on a ladder section
Part no. 16368

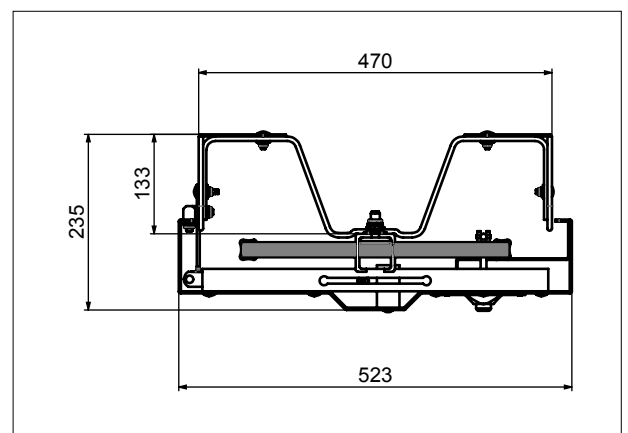
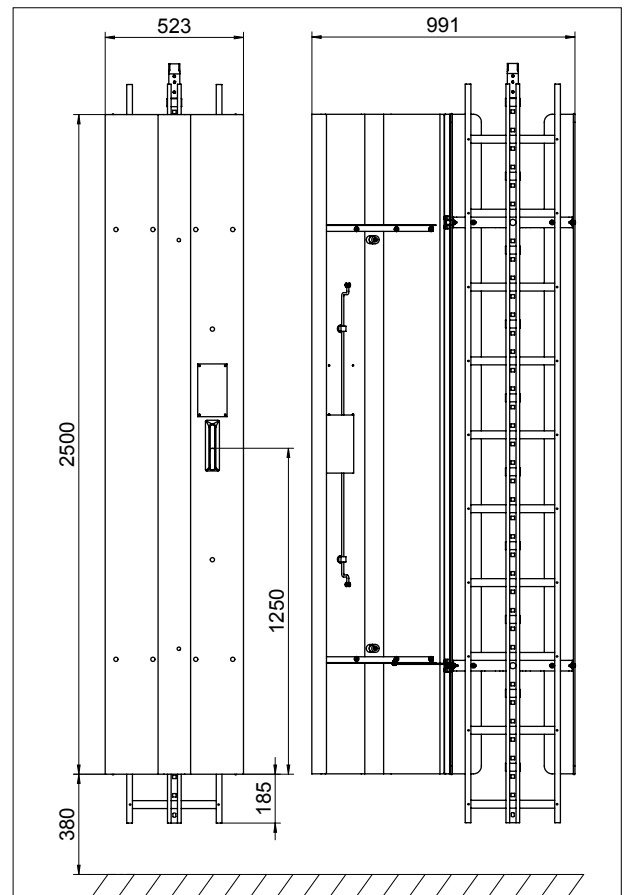
Replacement key
Part no. 17478

Cover plate for installation above normal height

Hinge on left side
Part no. 21684

Hinge on right side
Part no. 21685

As an alternative to the cover plate, the **PivotLoc foldable ladder system** is also possible.



Subject to technical change. Please follow our maintenance and fitting instructions.

Söll GlideLoc[®] aluminium ladders

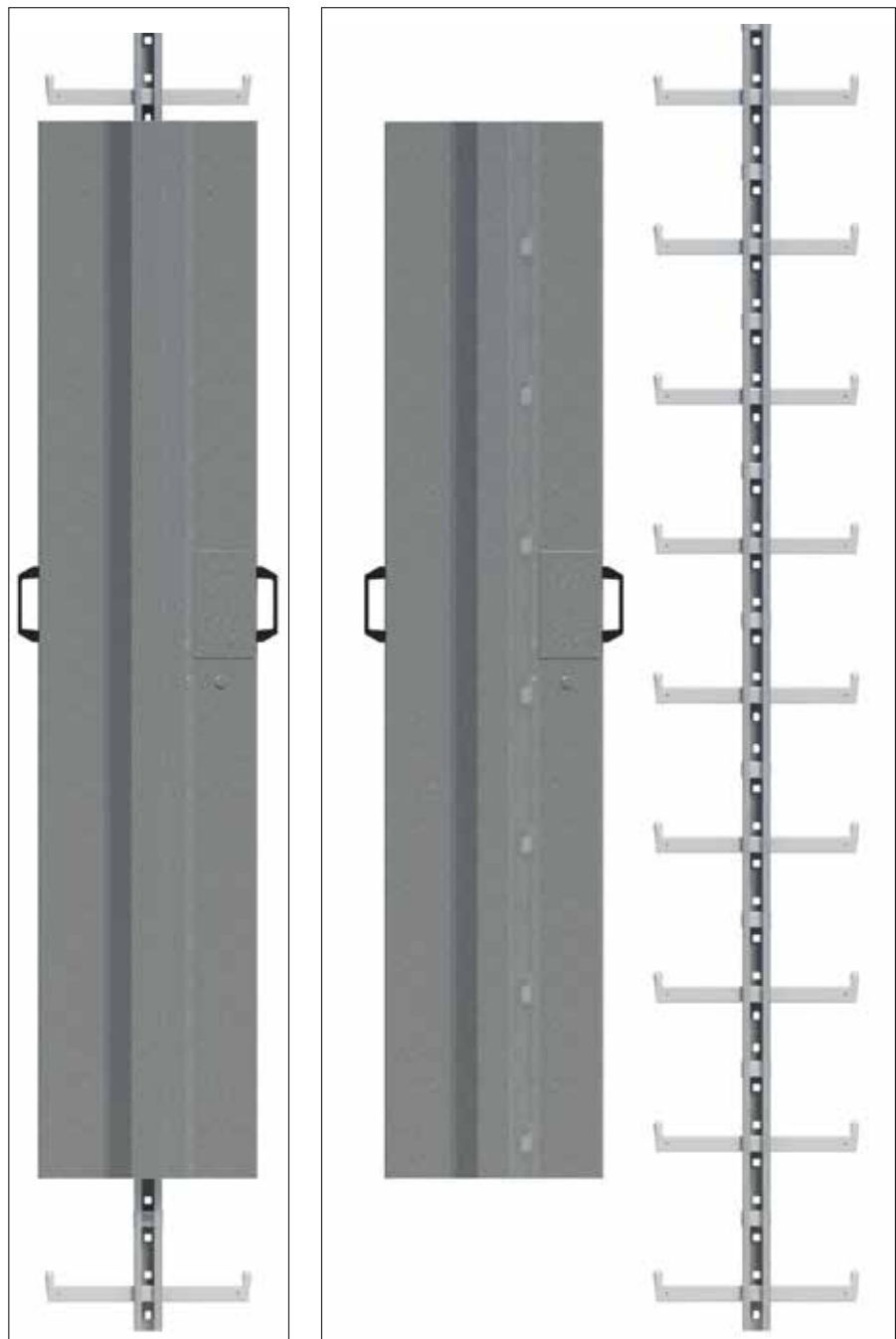
Cover plate

Steel cover plate

- For aluminium ladders with step width 150 mm
- Without ladder section
- Prevents unauthorised people from climbing the ladder
- Can be mounted and must be secured with a padlock
- Length 2,000 mm

Material: Steel,
hot-dip galvanised
Weight: 17.1 kg/each
Part no. 11354

As an alternative to the cover plate, the **PivotLoc foldable ladder system** is also possible.



Subject to technical change. Please follow our maintenance and fitting instructions.

Söll PivotLoc foldable ladder system

Principle:

The ladders can be opened or folded closed. When the ladder is closed, it has a slim and unobtrusive profile. When open, the result is a high-quality ladder with Miller® fall protection. The foldable ladder system prevents unauthorised use of the system in the same way as the cover plate.

Söll PivotLoc:

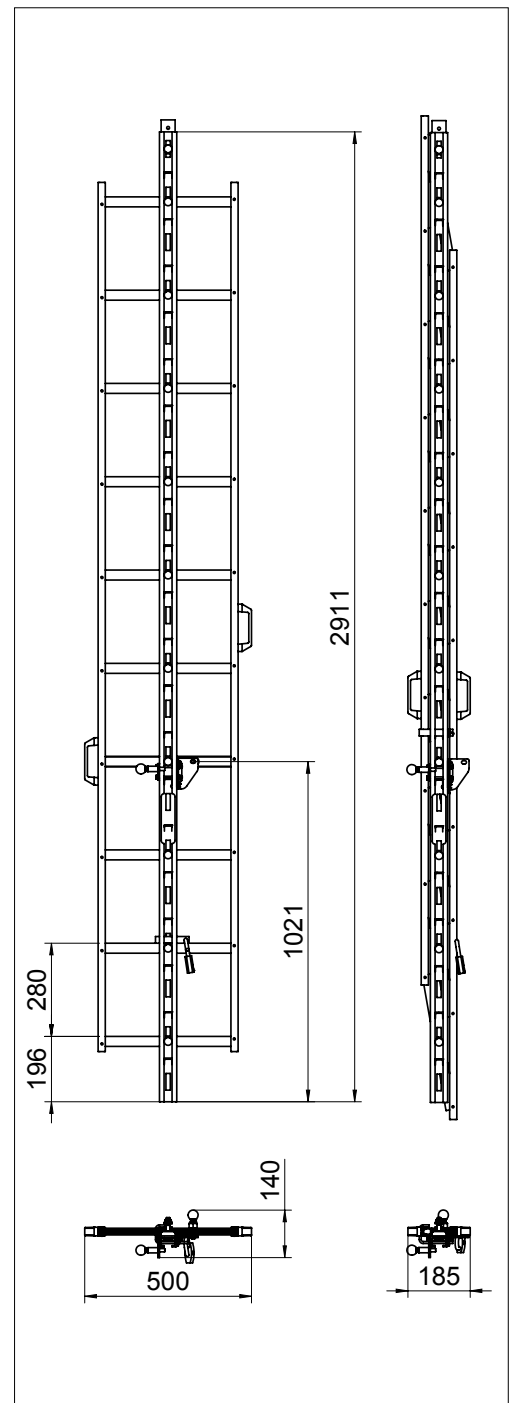
- Length 2,800 mm
- Width 500 mm
- Width when closed 195 mm
- Rung distance 280 mm
- It must be locked open or shut with the padlock
- The brackets must be fixed on the pivot points of the rungs
- The foldable ladder can be used combined with all type of ladders
- The ladder is complete with arresting device, end-stop, recess, connector and side handles
- The system also includes a stainless steel clamp that is used to insert a padlock

Connection to aluminium ladders

Material: Anodised aluminium
Weight: 12.0 kg/each
Part no. **23193**

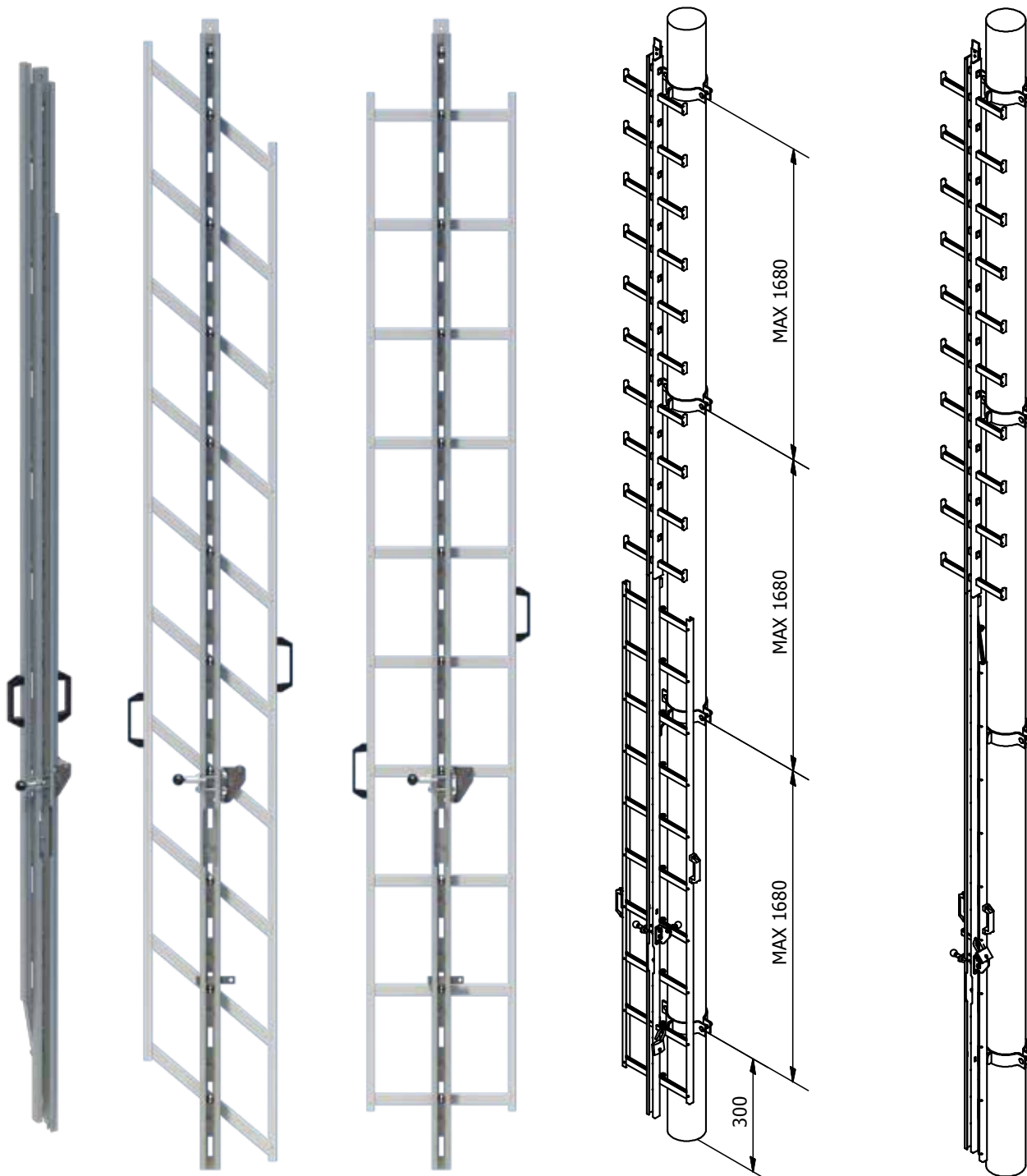
Connection to steel ladders

Material: Anodised aluminium
Weight: 12.0 kg/each
Part no. **23281**
(not shown)



Subject to technical change. Please follow our maintenance and fitting instructions.

Planning aid for Söll PivotLoc foldable ladder system as an alternative to the cover plate

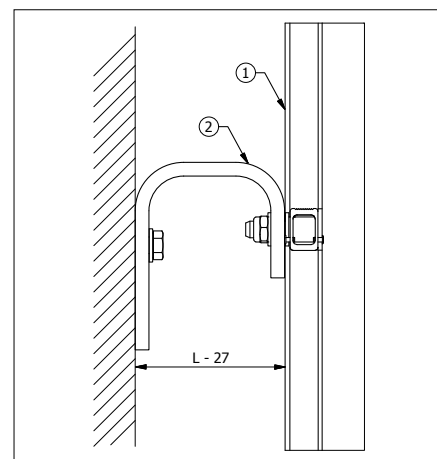
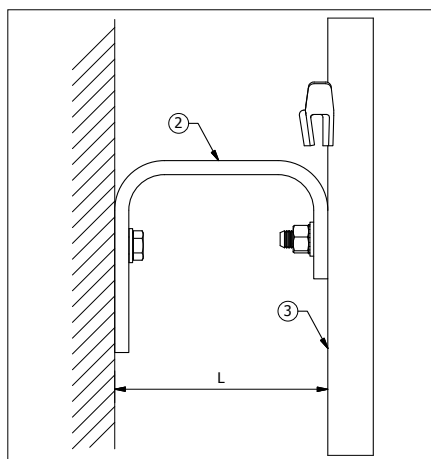


Subject to technical change. Please follow our maintenance and fitting instructions.

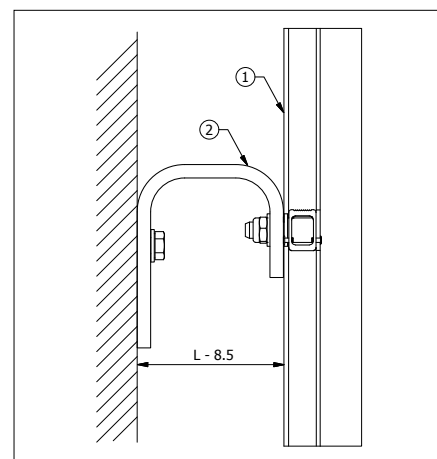
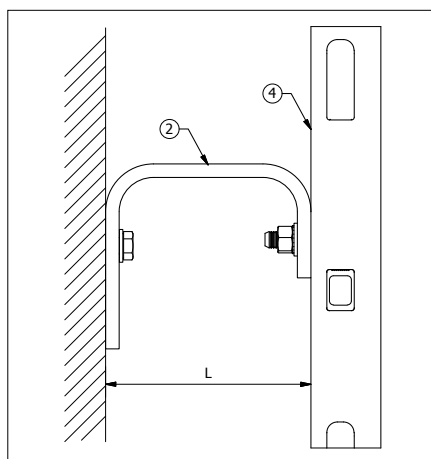
Söll PivotLoc foldable ladder system

Projection of the mounting brackets

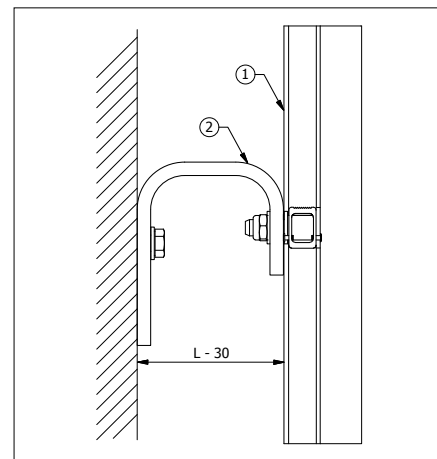
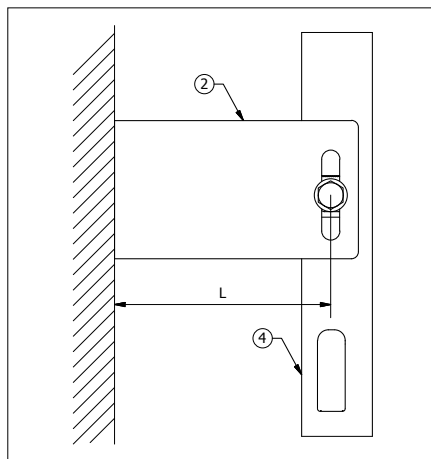
When using the PivotLoc foldable ladder system (1) combined with the steel ladder (3), the projection 'L' of the mounting brackets (2) for the foldable ladder must be 27 mm shorter.



When using the PivotLoc foldable ladder system (1) combined with the aluminium ladder (4) (mounting through back), the projection 'L' of the mounting brackets (2) for the foldable ladder must be 8.5 mm shorter.



When using the PivotLoc foldable ladder system (1) combined with the aluminium ladder (4) (mounting through catch bar), the projection 'L' of the mounting brackets (2) for the foldable ladder must be 30 mm shorter.



Subject to technical change. Please follow our maintenance and fitting instructions.

Söll PivotLoc foldable ladder system

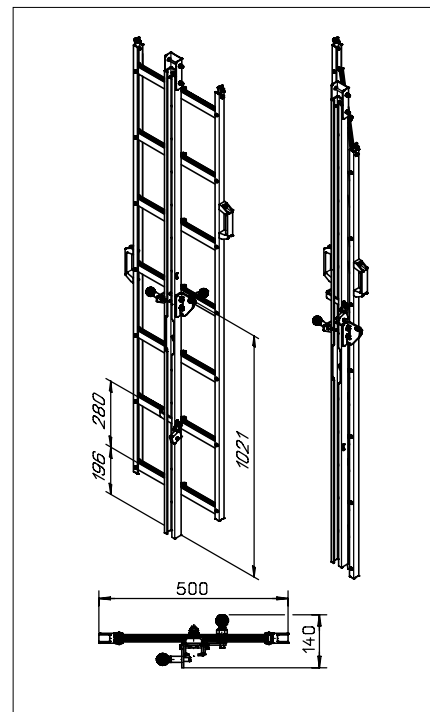
Design principle:

The ladders can be opened or closed. When the ladder is closed, it has a slim and unobtrusive profile. When open, the result is a high-quality ladder with Miller® fall protection. The foldable ladder system prevents unauthorised use of the system.

Söll PivotLoc, 1st ladder section:

- Profile 52 x 33 mm
- With arresting device, end-stop, recess, connector and side handles
- Mounting distance: Recommended 1,400 mm – max. 1,680 mm
- The brackets must be fixed on the pivot points of the rungs
- Max. section length 4,480 mm
- Rung distance 280 mm
- The system also includes a stainless steel clamp that is used to insert a padlock

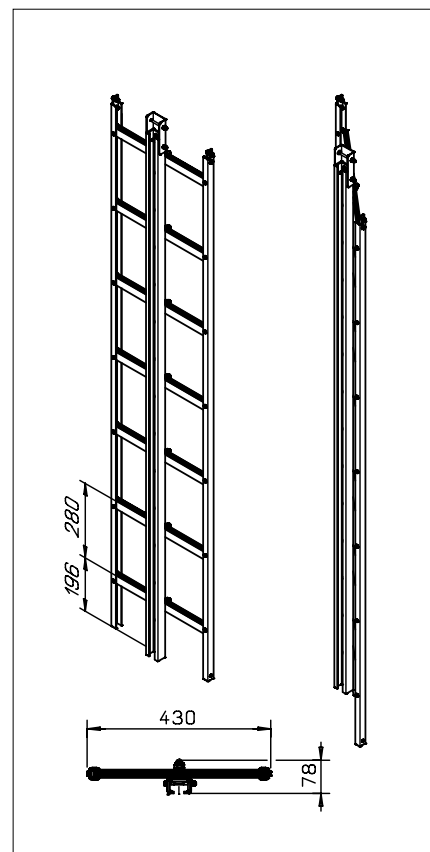
Material: Anodised aluminium
Weight: Approx. 4.0 kg/m
Part no. **ZALKLAPP-<ladder length in mm>-A**



Söll PivotLoc, extension section:

- Profile 52 x 33 mm
- With connector
- Recommended mounting distance: 1,400 mm – max. 1,680 mm
- The brackets must be fixed on the pivot points of the rungs
- Manufacturing length max. 4,480 mm
- Rung distance 280 mm

Material: Anodised aluminium
Weight: 4.0 kg/m
Part no. **ZALKLAPP-<ladder length in mm>**



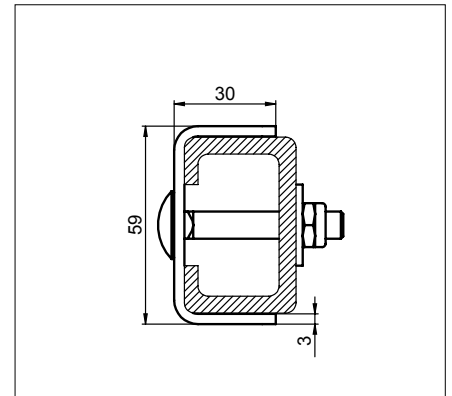
Subject to technical change. Please follow our maintenance and fitting instructions.

Söll PivotLoc foldable ladder system Accessories

Rigid end-stop

- Prevents the fall arrester from being taken out of the top of the foldable ladder
- Complete with all mounting elements

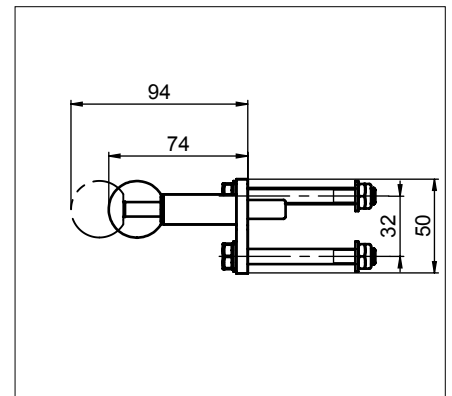
Material: Stainless steel, pickled
Weight: 0.1 kg/each
Part no. **23205**



End-stop for foldable ladder system

- Prevents the fall arrester from either being inserted incorrectly or accidentally slipping out of the guide rail
- Complete with all mounting elements
- Suitable for top and bottom use

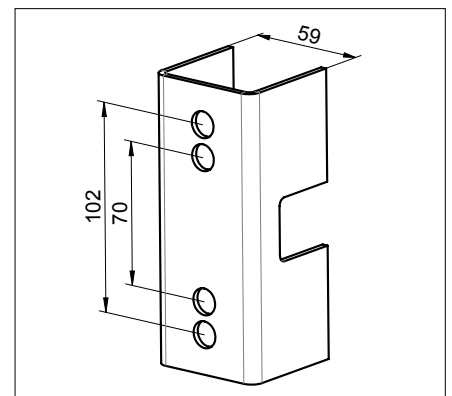
Material: Stainless steel, pickled
Weight: 0.2 kg/each
Part no. **27138**



Assembly aid

- To arrest the extension section during assembly

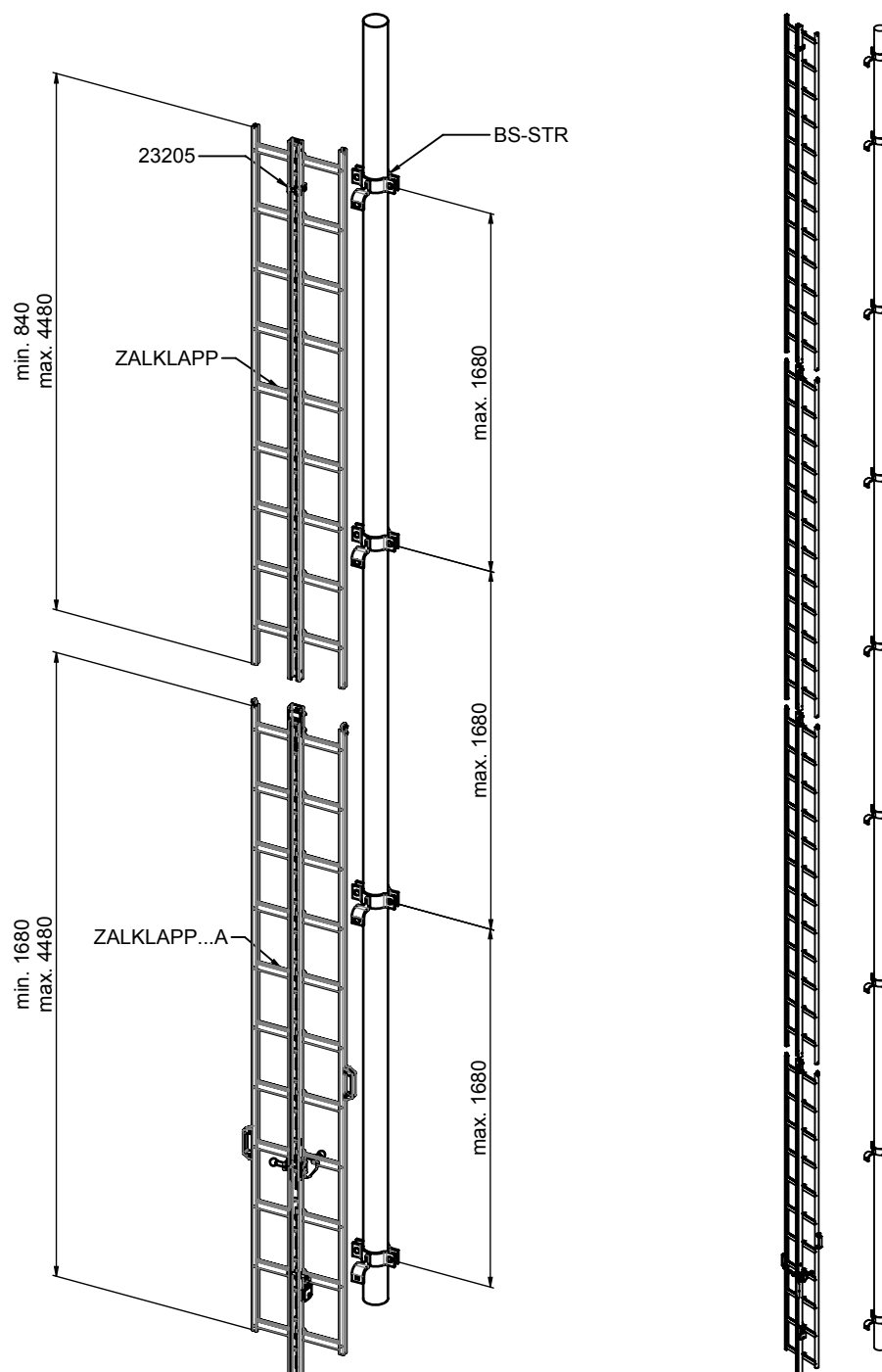
Material: Steel, hot-dip galvanised
Weight: 0.6 kg/each
Part no. **23206**



Subject to technical change. Please follow our maintenance and fitting instructions.

Planning aid for foldable ladder system Söll PivotLoc (multi-section)

The maximum possible total length is 8.0 m.
For longer climbways, the ladders must be divided in order to ensure easy opening.



Subject to technical change. Please follow our maintenance and fitting instructions.

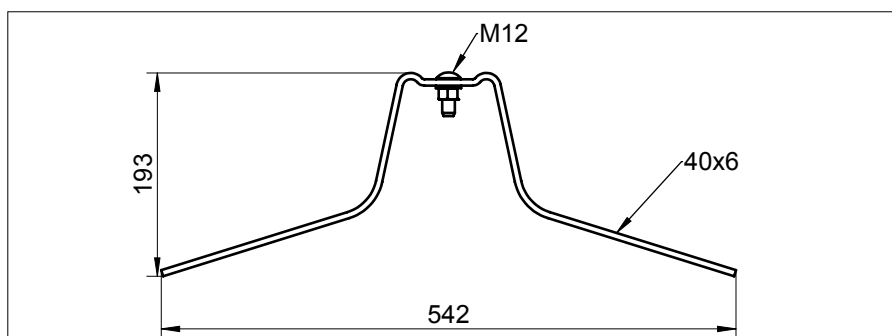
Söll GlideLoc® aluminium ladders

Accessories

Cable holder

- To retain cables behind ladders and guide rails
- Complete with all mounting elements
- For use on tubular masts or corner struts
- If loaded equally, a cable holder can carry a max. of 12.5 kg
- The total load of the cables must not exceed 35 kg/m

Material: Anodised aluminium
Weight: 0.6 kg/each
Part no. **10531**



Turntable

- For safe transfer from vertical to horizontal and vice versa
- With aluminium profile for supporting the fall arrester
- Please specify the guide rail profile of the horizontal and vertical system

Material: Stainless steel, pickled
Weight: 4.2 kg/each

Bending radius of horizontal guide rail > 1,000 mm

Part no. **15299**

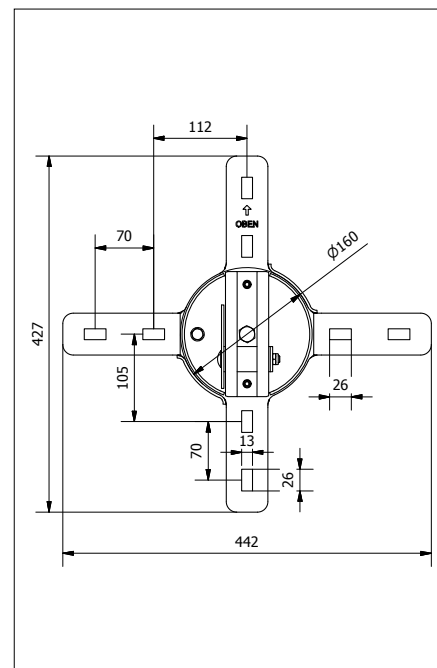
Bending radius of horizontal guide rail < 1,000 mm

Part no. **20793**

Factory assembly on an aluminium Y-spar ladder

Part no. **16884**

Factory assembly on an aluminium twin ladder available upon request



Note:

All four brackets of the turntable must **always** be fixed to the structure!

Subject to technical change. Please follow our maintenance and fitting instructions.

Söll GlideLoc[®] aluminium ladders

Accessories

Mounting bracket with adjustable projection

- Projection: 120 to 160 mm
- To be used for mounting turntable only
- screws for installation on the turntable not included

Material: Steel, hot-dip galvanised

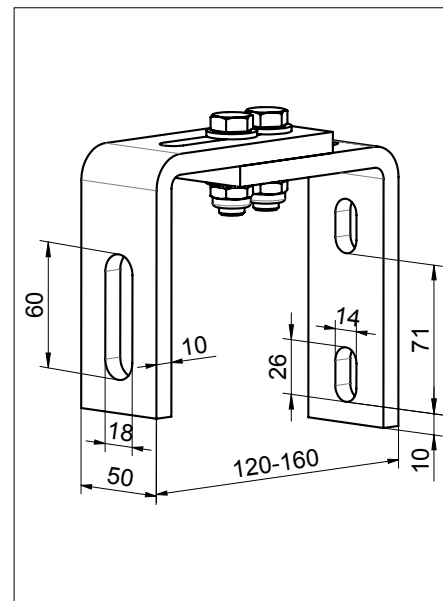
Weight: 1.6 kg/each

Part no. **10867**

Material: Stainless steel, pickled

Weight: 1.6 kg/each

Part no. **11591**



Mounting bracket with adjustable projection

- Projection: 160 to 200 mm
- To be used for mounting turntable only
- screws for installation on the turntable not included

Material: Steel, hot-dip galvanised

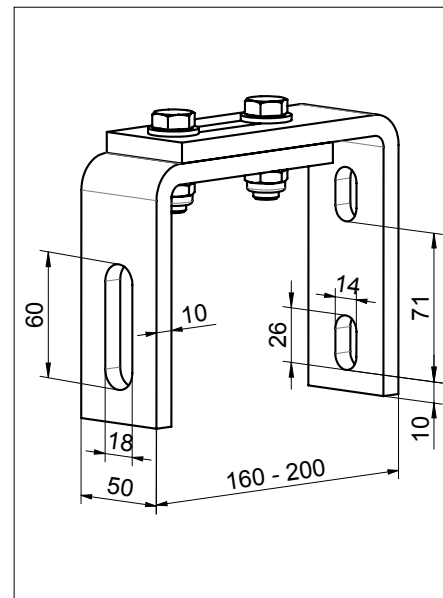
Weight: 1.8 kg/each

Part no. **10869**

Material: Stainless steel, pickled

Weight: 1.8 kg/each

Part no. **15250**



Note:

Projection 'L' depends on the type of bracket.
These mounting brackets cannot be used as ladder mounting brackets.

Subject to technical change. Please follow our maintenance and fitting instructions.

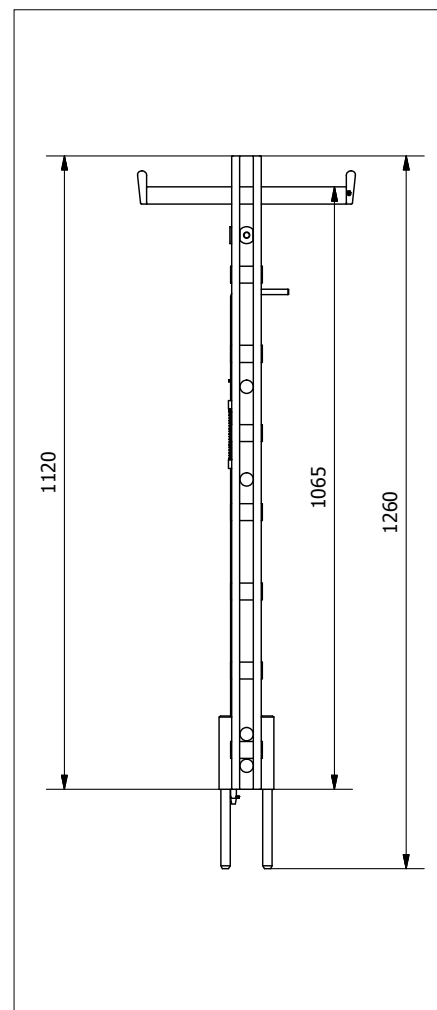
Söll GlideLoc[®] aluminium ladders

Manhole entry device

Manhole entry device

- For safe entry into manholes
- Only use together with lower part for manhole entry device
- This device can be moved from one manhole ladder to another and can be locked

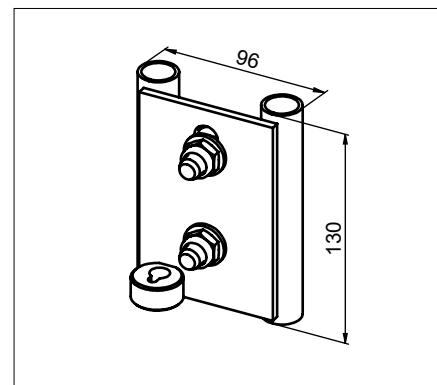
Material: Anodised aluminium
Weight: 4.5 kg/each
Part no. 17410



Lower part for manhole entry device

- Fixed to the rear of the fixed guide rail

Material: Stainless steel, pickled
Weight: 0.8 kg/each
Part no. 16191



Subject to technical change. Please follow our maintenance and fitting instructions.

Söll GlideLoc[®] aluminium ladders Accessories

Roundabout

- For safe transfer between two different offset climbways
- Projection of the climbways must be the same
- Mast diameter:
Min. 200 mm
Max. 1,000 mm
- Max. rotation angle 200°
- Comprising parallel rods and carriage for offsetting the fall arrester
- Comes with all fixing elements
- Please provide diagrams specifying the mast diameter, climbway offset angle, projection and ladder type when ordering
- Please indicate the direction of rotation

Material: Steel,
hot-dip galvanised
Weight: Depends on size

For mast diameter 200 to 350 mm

Part no. 16612

For mast diameter 351 to 500 mm

Part no. 18697

For mast diameter 501 to 700 mm

Part no. 18698

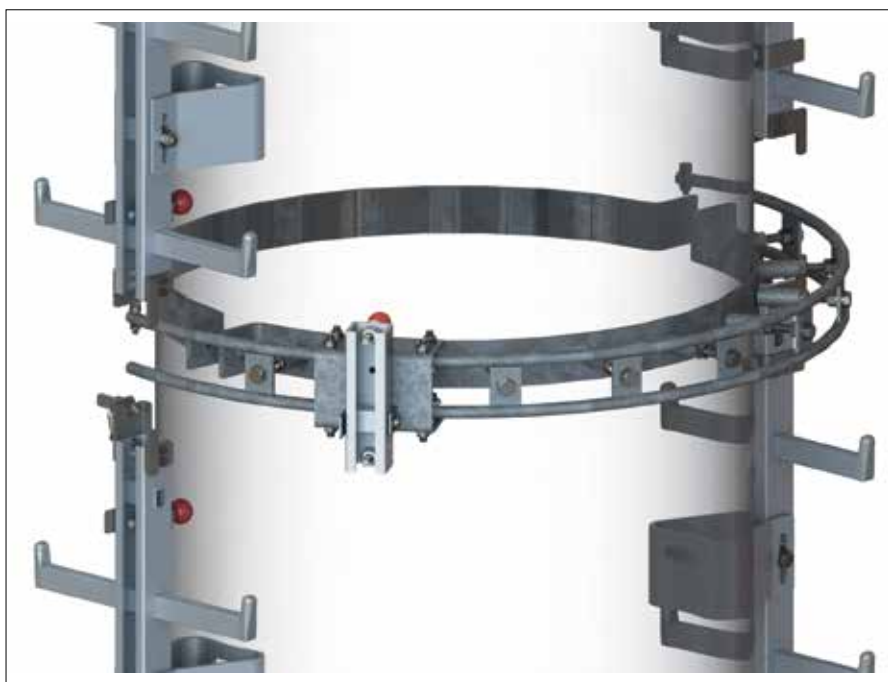
For mast diameter 701 to 1,000 mm

Part no. 18699

Installation example

Roundabout with handrail and transfer platform

Customised roundabouts available upon request



Subject to technical change. Please follow our maintenance and fitting instructions.

Söll GlideLoc[®] aluminium ladders Accessories

Transfer platform

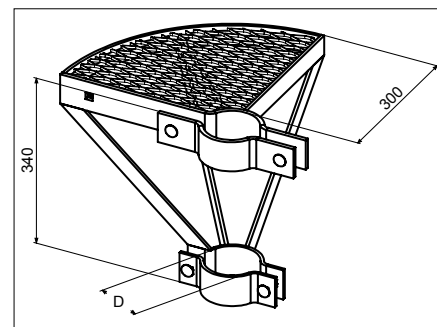
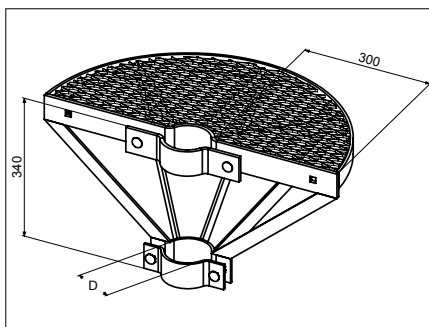
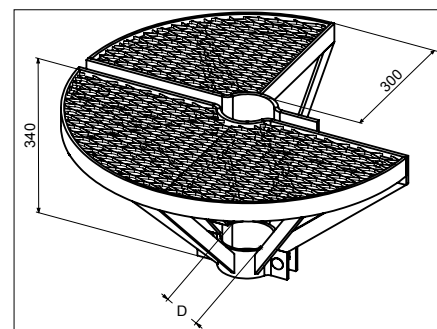
- Can be used individually or with roundabout
- Complete with all mounting elements
- Please provide diagrams specifying the mast diameter and position of the climbways when ordering. Indicate the size of the segment (90°, 180° or 270°)
- Mast diameter:
Min. 100 mm
Max. 1,000 mm

Material: Steel,
hot-dip galvanised

Weight: Depends on size

Part no. **UP-<segment size>-<Ø in mm>**

Customised versions available upon request



Subject to technical change. Please follow our maintenance and fitting instructions.

Insertion suspension ladders

Mounting elements

Mounting bracket with insertion aid

- For use in mast clamp without lock (part no. BES-OA)
- Complete with mounting elements for fixing to ladder

Material: Hot-dip galvanised steel

Projection: 130 mm

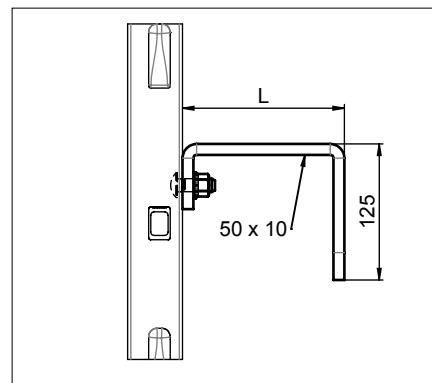
Weight: 1.2 kg/each

Part no. 10779

Projection: 150 mm

Weight: 1.3 kg/each

Part no. 18065



Bracket

- For use in mast clamp with lock (part no. BES-MA)
- Complete with mounting elements for fixing to ladder

Material: Hot-dip galvanised steel

Projection: 130 mm

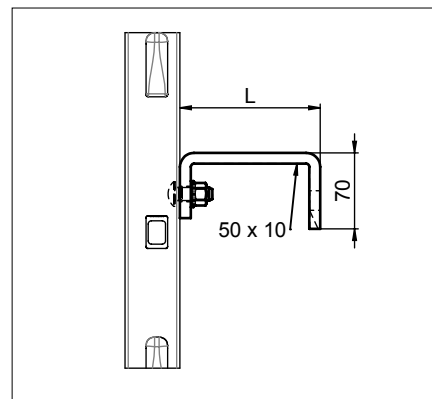
Weight: 1.0 kg/each

Part no. 14981

Projection: 150 mm

Weight: 1.1 kg/each

Part no. 19646



Bracket

- For use in mast clamp without lock (part no. BES-OA)
- Complete with mounting elements for fixing to ladder

Material: Hot-dip galvanised steel

Projection: 130 mm

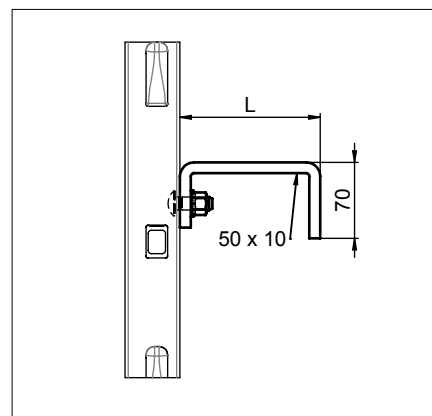
Weight: 1.0 kg/each

Part no. 14982

Projection: 150 mm

Weight: 1.1 kg/each

Part no. 18068



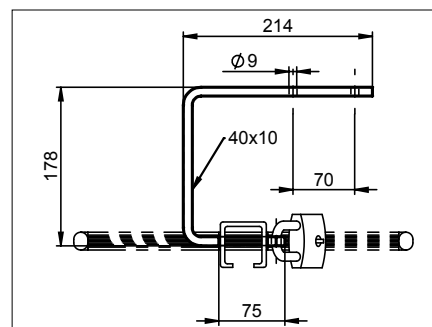
Fixed wall bracket

- For retention of insertion suspension ladder
- Lockable
- With hole for padlock: $\varnothing 11$ mm (padlock not included in delivery)

Material: Steel, hot-dip galvanised

Weight: 1.5 kg/each

Part no. 15772



Subject to technical change. Please follow our maintenance and fitting instructions.

Insertion suspension ladders

Mounting elements

Mast clamp without lock

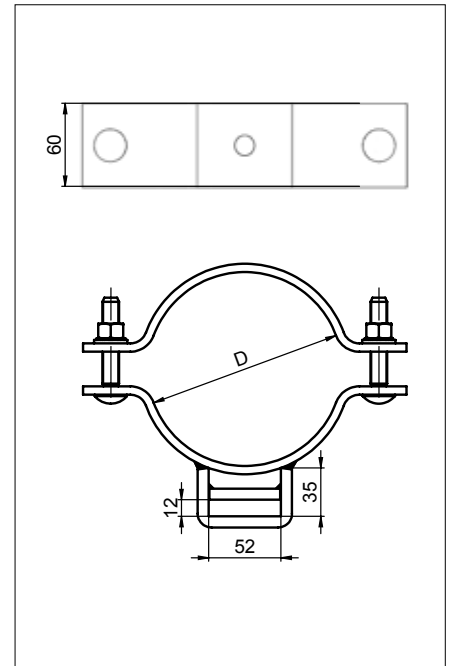
- Please indicate the exact mast diameter and dimensions of rear edge of ladder to structure when placing the order
- Mast diameter:
Min. 80 mm
Max. 1,500 mm

Material: Steel,
hot-dip galvanised

Weight: Depends on mast diameter

Part no. **BES-OA- $\langle\text{Ø in mm}\rangle$**

Wall and angle corner mounting bracket available upon request



Mast clamp with integrated lock

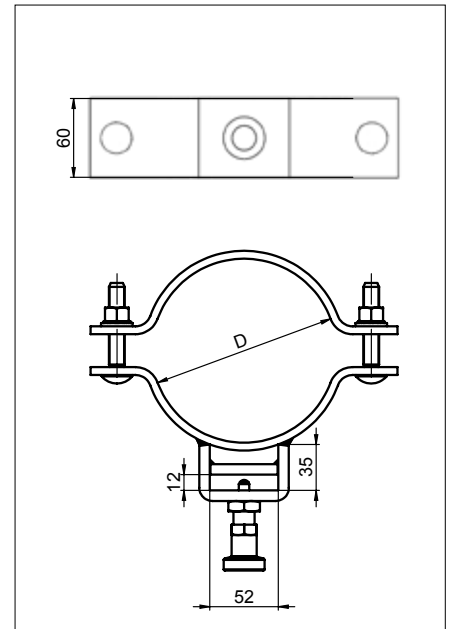
- To be used in conjunction with bracket (part no. 14981/19646) only
- Please indicate the exact mast diameter and dimensions of rear edge of ladder to structure when placing the order
- Mast diameter:
Min. 80 mm
Max. 1,500 mm

Material: Steel,
hot-dip galvanised

Weight: Depends on mast diameter

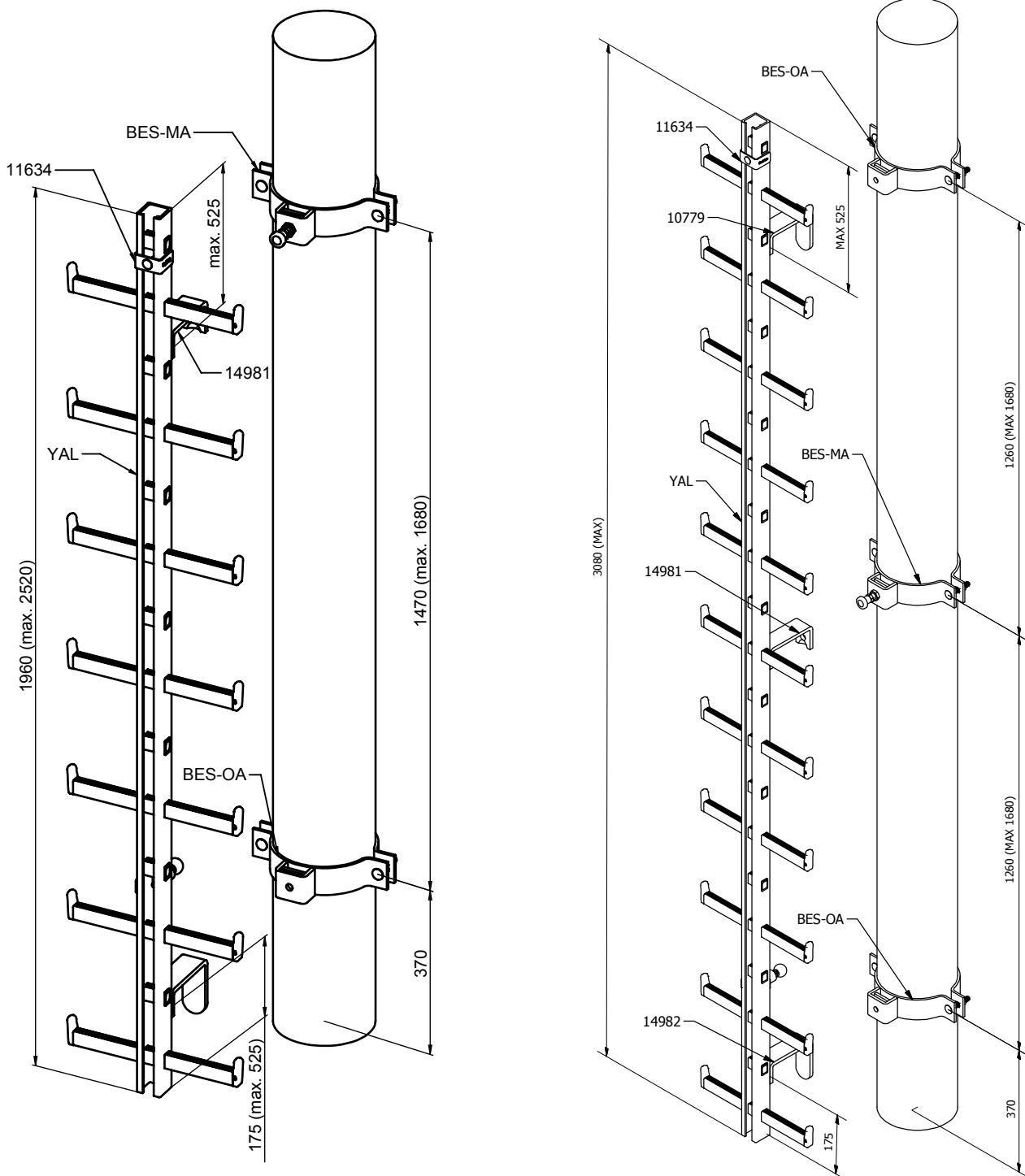
Part no. **BES-MA- $\langle\text{Ø in mm}\rangle$**

Wall and angle corner mounting bracket available upon request



Subject to technical change. Please follow our maintenance and fitting instructions.

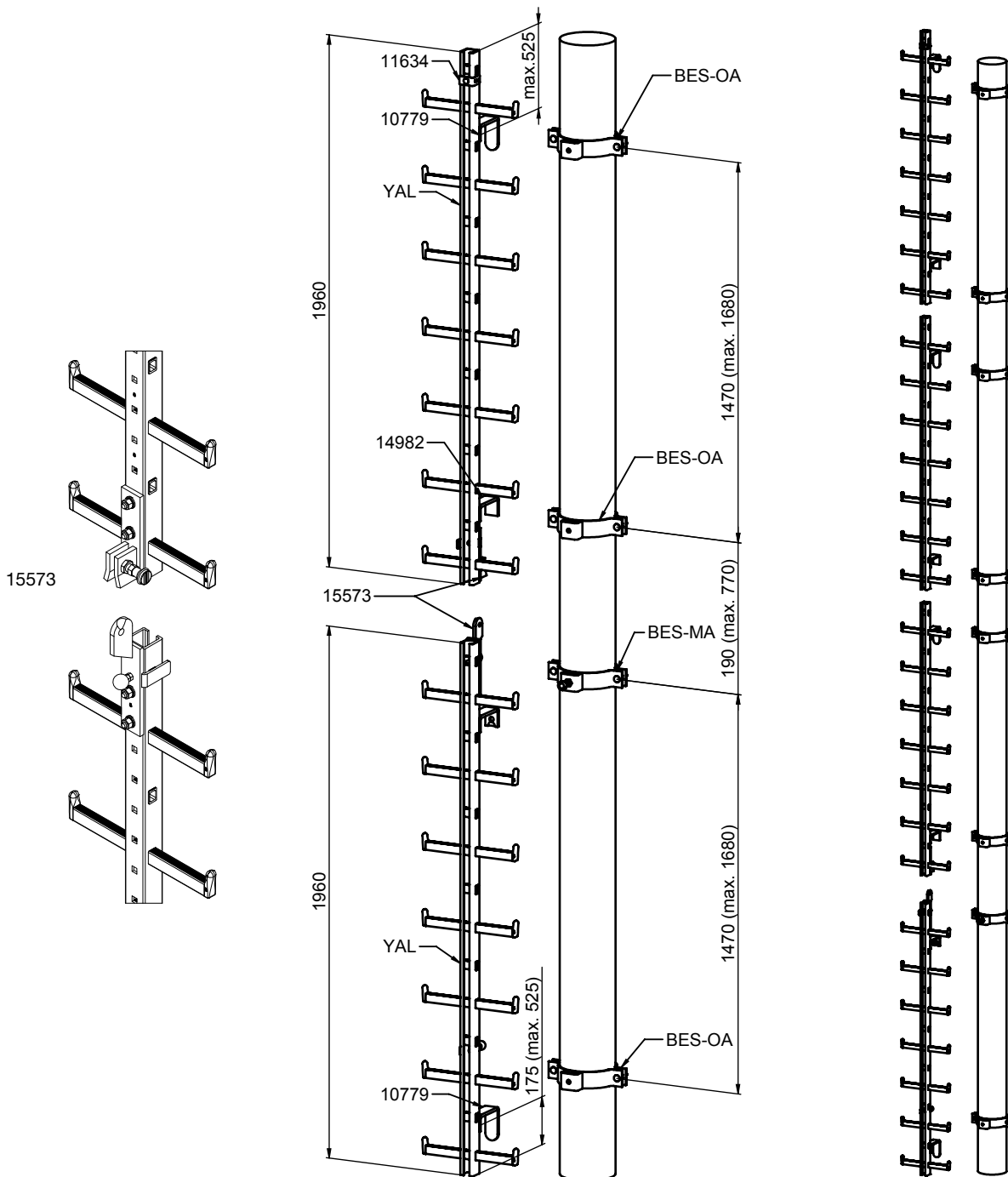
Planning aid for insertion suspension ladders (single section)



Subject to technical change. Please follow our maintenance and fitting instructions.

Planning aid for insertion suspension ladders (multi-section)

4 ladder sections - total length max. 8 m



Subject to technical change. Please follow our maintenance and fitting instructions.

Insertion suspension ladders

Mounting elements

Installation from below

Mast clamp with projection

- Only for use in conjunction with connector (part no. 17261)
- Projection 'L' depends on the type of fixed installation ladder (max. 170 mm)
- Please indicate the following required information:
Mast diameter 'D'
Type of fixed installation ladder
Bracket for fixed installation ladder, including projection
- Mast diameter:
Min. 60 mm
Max. 220 mm

Material: Steel, hot-dip galvanised
Weight: Depends on mast diameter

Part no. **18419**

Wall and angle corner mounting bracket available upon request.

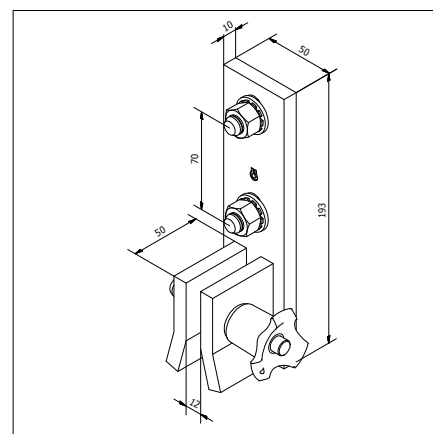
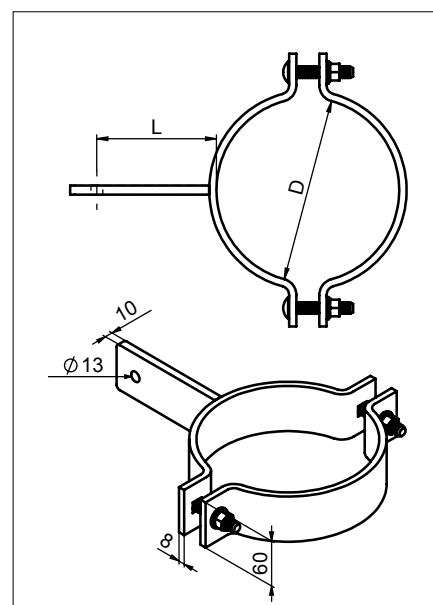
Connector for insertion suspension ladder

- For connection onto mast clamp with projection (part no. 18419) using locking bolt
- Complete with mounting elements for fixing to ladder

Material: Steel, hot-dip galvanised

Weight: 1.5 kg/each

Part no. **17261**



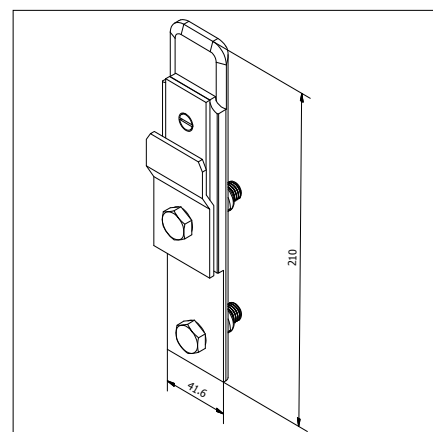
Connector

- For insertion suspension ladder - installation from below
- For connection with fixed installation ladder
- Complete with mounting elements for fixing to ladder

Material: Anodised aluminium

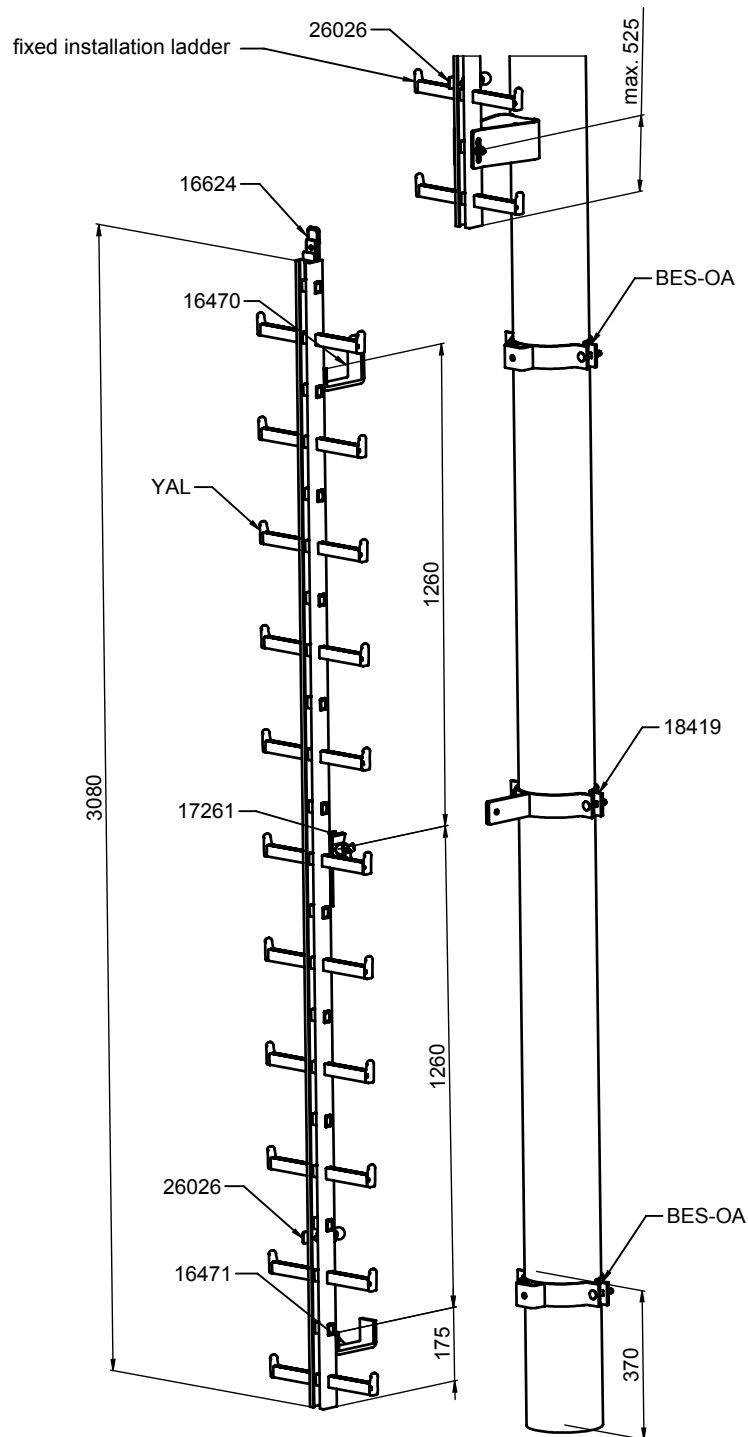
Weight: 0.5 kg/each

Part no. **16624**



Subject to technical change. Please follow our maintenance and fitting instructions.

Planning aid for insertion suspension ladders Installation from below



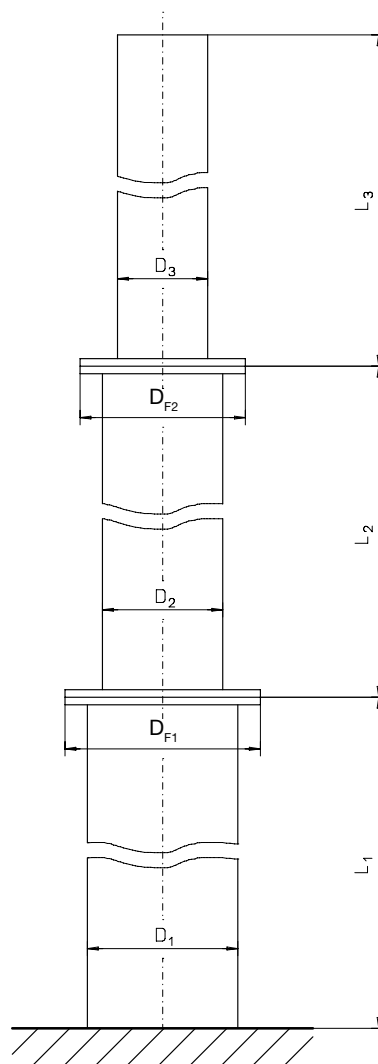
Subject to technical change. Please follow our maintenance and fitting instructions.

Planning aid for tubular mast

Always keep the following details in mind when planning a fall protection system for tubular poles:

- Diameter of each tubular section (D_1 , D_2 , D_3 , etc.)
- Length of each tubular section (L_1 , L_2 , L_3 , etc.)
- Diameter of flanges (D_{F1} , D_{F2} , etc.)

The above information is required to properly determine and select the clamp diameters and projections and any required curves.



Should the tubular mast have components installed that may hinder or influence the installation of the fall protection system, such details also need to be considered when ordering.

Söll GlideLoc[®] aluminium ladders

Movable ladder connector section

Principle:

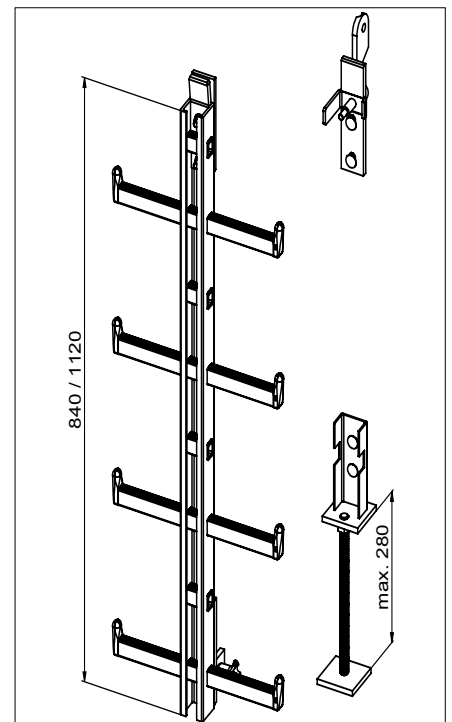
The movable ladder connector section is used for climbways where access is interrupted in certain areas, e.g. running a ladder through a skylight.

Movable ladder connector section

- Profile 52 x 51 mm
- A holder and all necessary connectors are included in the delivery

Material: Anodised aluminium
 Length: 840 mm
 Weight: 8.0 kg/each
Part no. 22404

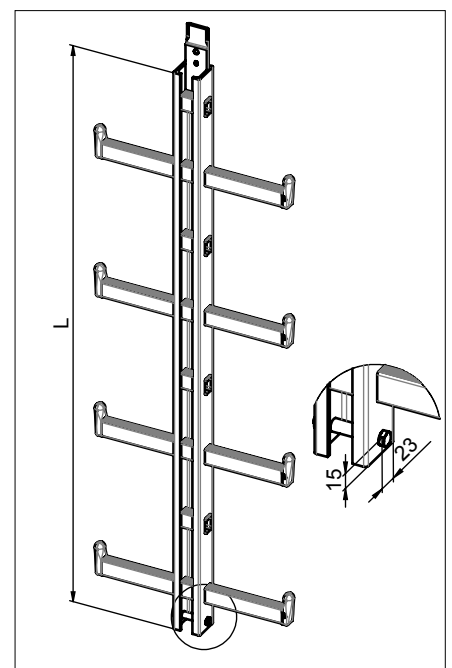
Material: Anodised aluminium
 Length: 1,120 mm
 Weight: 8.9 kg/each
Part no. 24360



Y-spar ladder with bolt

- Profile 52 x 51 mm
- With connector at the top and bolt to insert the movable ladder connector section below

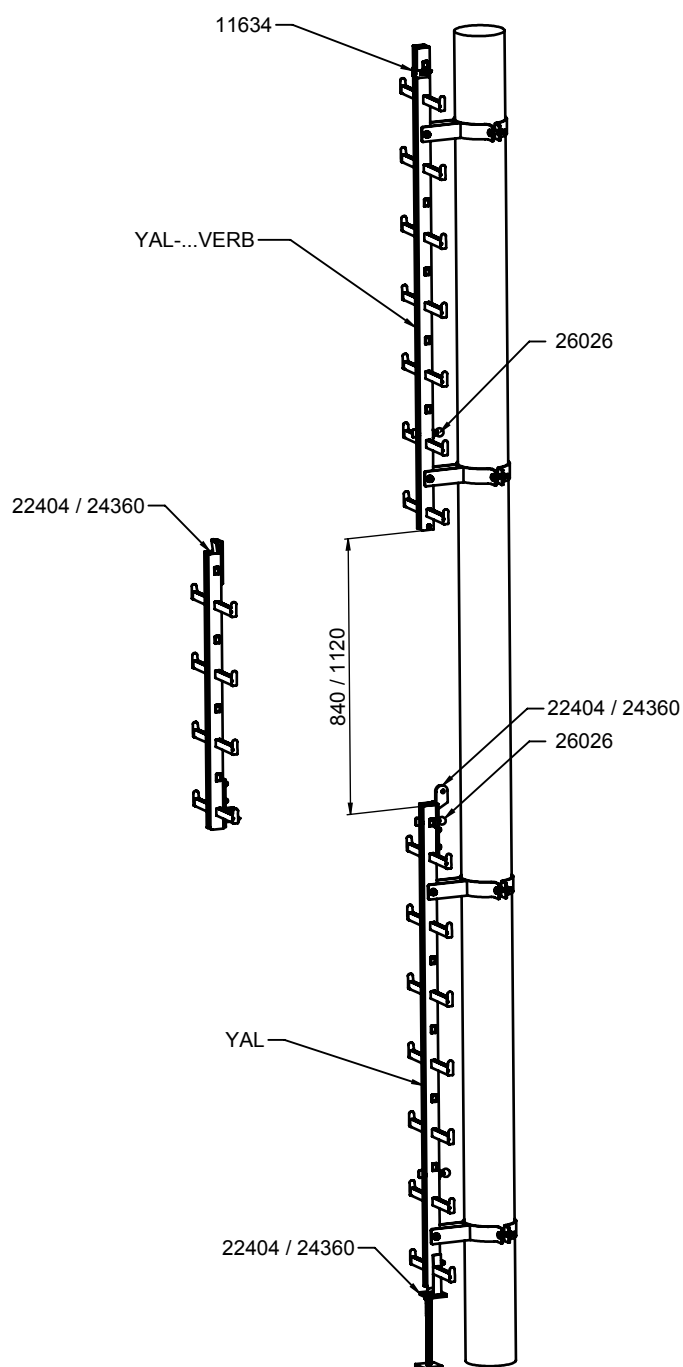
Material: Anodised aluminium
 Weight: 3.2 kg/m
Part no. YAL-<ladder length in mm>-VERB



Subject to technical change. Please follow our maintenance and fitting instructions.

Söll GlideLoc[®] aluminium ladders

Planning aid for movable ladder connector section



Subject to technical change. Please follow our maintenance and fitting instructions.

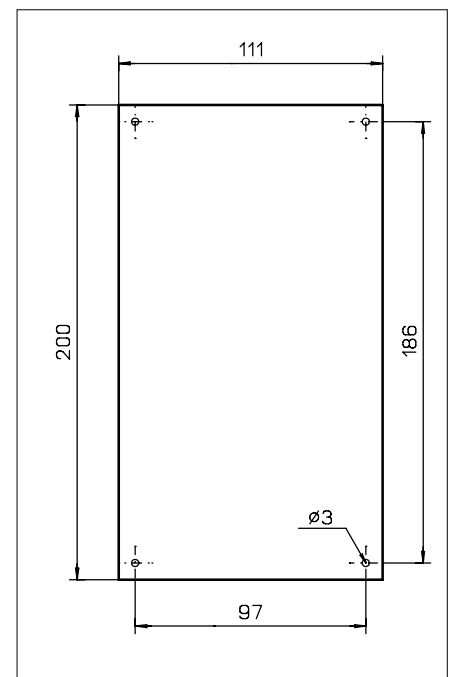
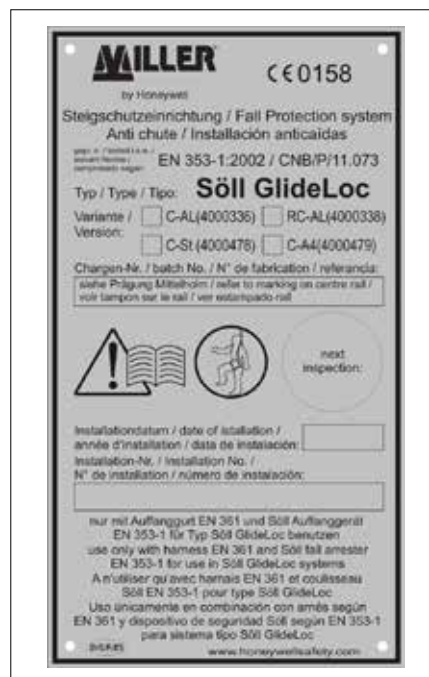
Söll GlideLoc® aluminium ladders Accessories

Identification plate

- For 'Söll GlideLoc®' fall protection systems
- Cover plate assembled in factory
- Must be affixed to each access point
- Languages: D/E/F/ES

Material: Aluminium
Weight: 0.1 kg/each
Part no. **19876 not engraved**
20850 engraved

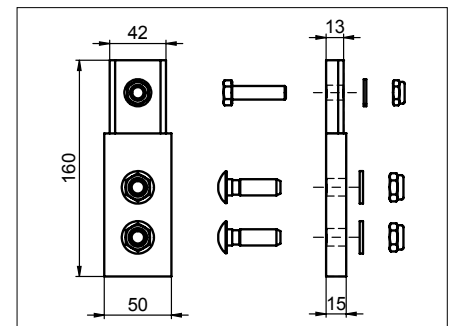
Additional languages available upon request



Connector

- To connect guide rails with a different profile

Material: Anodised aluminium
Weight: 0.3 kg/each
Part no. **10543**



Söll GlideLoc® aluminium ladders

Accessories

Special bolt

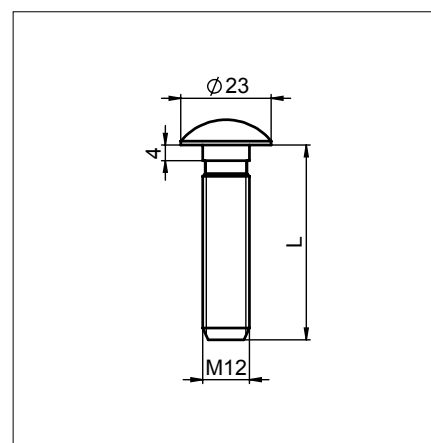
- Special bolt for fixing Söll GlideLoc® ladders and guide rails
- Complete with connector
- Other dimensions available upon request

Material: steel, hot-dip galvanised

M 12 x 30	Part no. 15667
Weight:	0.06 kg/each
M 12 x 35	Part no. 15850
Weight:	0.06 kg/each
M 12 x 40	Part no. 15851
Weight:	0.07 kg/each
M 12 x 50	Part no. 15852
Weight:	0.07 kg/each
M 12 x 60	Part no. 15853
Weight:	0.08 kg/each
M 12 x 70	Part no. 15854
Weight:	0.09 kg/each
M 12 x 80	Part no. 15855
Weight:	0.09 kg/each
M 12 x 90	Part no. 15856
Weight:	0.1 kg/each
M 12 x 100	Part no. 15857
Weight:	0.11 kg/each

Material: stainless steel, pickled

M 12 x 30	Part no. 15669
Weight:	0.06 kg/each
M 12 x 35	Part no. 15858
Weight:	0.06 kg/each
M 12 x 40	Part no. 15859
Weight:	0.07 kg/each
M 12 x 50	Part no. 15860
Weight:	0.07 kg/each
M 12 x 60	Part no. 15861
Weight:	0.08 kg/each
M 12 x 70	Part no. 15862
Weight:	0.09 kg/each
M 12 x 80	Part no. 15863
Weight:	0.1 kg/each
M 12 x 90	Part no. 15864
Weight:	0.11 kg/each
M 12 x 100	Part no. 15865
Weight:	0.12 kg/each



Hot-dip galvanised steel version



Ice scraper

- For removal of frost and ice from Söll GlideLoc guide rails
- Can be used for all profiles
- Removes ice on the inside and outside of the running surfaces of the guide rails
- Anodised aluminium body
- Spring steel blades

Weight: 0.5 kg/each
Part no. 18072



Subject to technical change. Please follow our maintenance and fitting instructions.

Söll GlideLoc® Fall arresters

Söll Comfort fall arrester

- Complies with EN 353-1:2002; CNB/P/11.073
- With energy-absorbing element
- Self-closing swivel safety karabiner and three self-locking aluminium elements (left figure)
- For use with or without leaning back
- For vertical and horizontal use in all Söll GlideLoc fall protection systems
- Aluminium body, stainless steel safety catch

Weight: 1.1 kg/each

Part no. 22697

Söll Comfort fall arrester

- With aluminium screw safety karabiner (right figure)

Weight: 1.2 kg/each

Part no. 22690

Note:

Söll Comfort aluminium fall arresters must not be used in areas where explosions are possible.



Söll Comfort fall arrester² (left figure)

- Base body, safety catch and self-locking safety karabiner are manufactured from saltwater-proof stainless steel

Weight: 1.2 kg/each

Part no. 23331

Söll Universal II fall arrester (right figure)

- Complies with EN 353-1:2002; CNB/P/11.073
- Can be inserted and removed at any position
- Self-closing swivel safety karabiner and three self-locking aluminium elements
- For vertical and horizontal use in all Söll GlideLoc fall protection systems
- Fall arrester manufactured from stainless steel

Weight: 1.5 kg/each

Part no. 25805



Subject to technical change. Please follow our maintenance and fitting instructions.

Söll GlideLoc® Steel/Stainless Steel Ladders

- Vertical fall protection system
- Certified according to EN 353-1:2002 and CNB/P/11.073



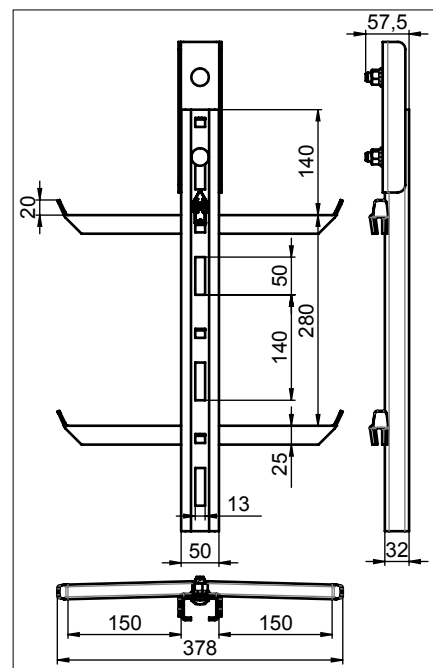
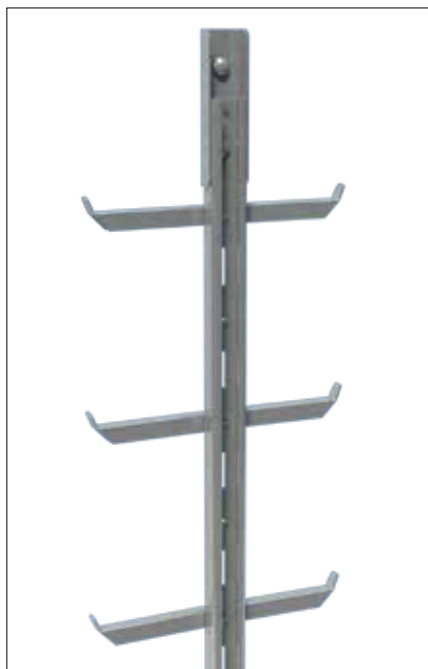
Söll GlideLoc® Steel/stainless steel ladders

Y-spar

- Profile 50 x 32 mm
- With connector
- Mounting distance: recommended 1,400 mm - max. 1,680 mm
- Max. section length 4,480 mm
- Rung distance 280 mm
- Step width per side 150 mm

Material: Steel,
hot-dip galvanised
Weight: Approx. 5.5 kg/m
Part no. **YST<ladder length
in mm>**

Material: Stainless steel,
pickled
Weight: Approx. 5.0 kg/m
Part no. **YA4<ladder length
in mm>**

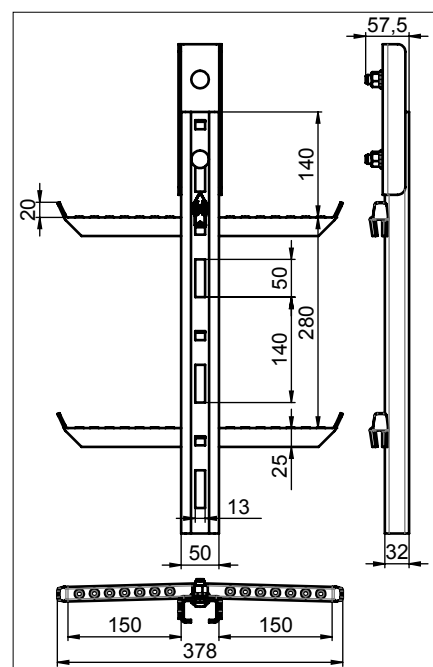


Y-spar with perforated rungs

- Profile 50 x 32 mm
- With connector
- With perforated rungs
- For use in manholes, for example
- Mounting distance: recommended 1,400 mm - max. 1,680 mm
- Max. section length 4,480 mm
- Rung distance 280 mm
- Step width per side 150 mm

Material: Steel,
hot-dip galvanised
Weight: Approx. 5.5 kg/m
Part no. **YST<ladder length
in mm>L**

Material: Stainless steel,
pickled
Weight: Approx. 5.0 kg/m
Part no. **YA4<ladder length
in mm>L**



Söll GlideLoc® Steel/stainless steel ladders

Twin ladder for chimneys

- Profile 50 x 32 mm
- With connector
- Mounting distance: max. 1,950 mm
- Max. section length 3,000 mm
- Rung distance 300 mm
- Step width per side 150 mm

Material: Steel, hot-dip galvanised

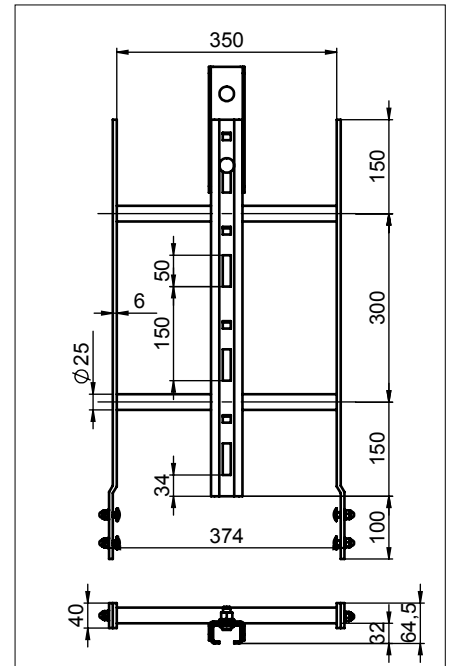
Weight: 9.0 kg/m

Part no. **ZST**<ladder length in mm>

Material: Stainless steel, pickled

Weight: 9.0 kg/m

Part no. **ZA4**<ladder length in mm>

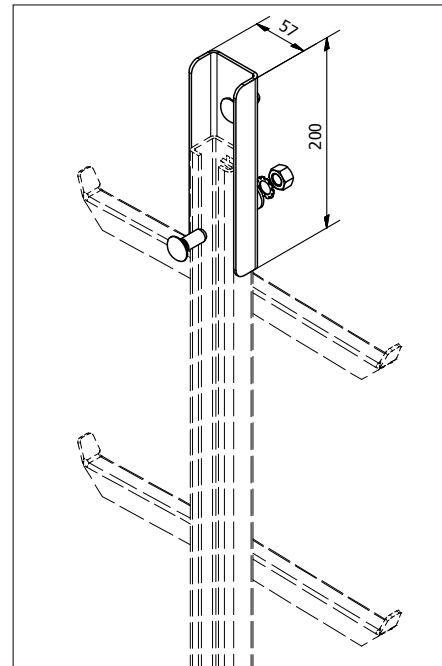


Söll GlideLoc[®] Steel/stainless steel ladders

Connector

- To connect Y-spar ladders
- Complete with all mounting elements
- Included in the delivery of each Y-spar ladder
- Must be used when an existing Y-spar ladder is cut and reconnected

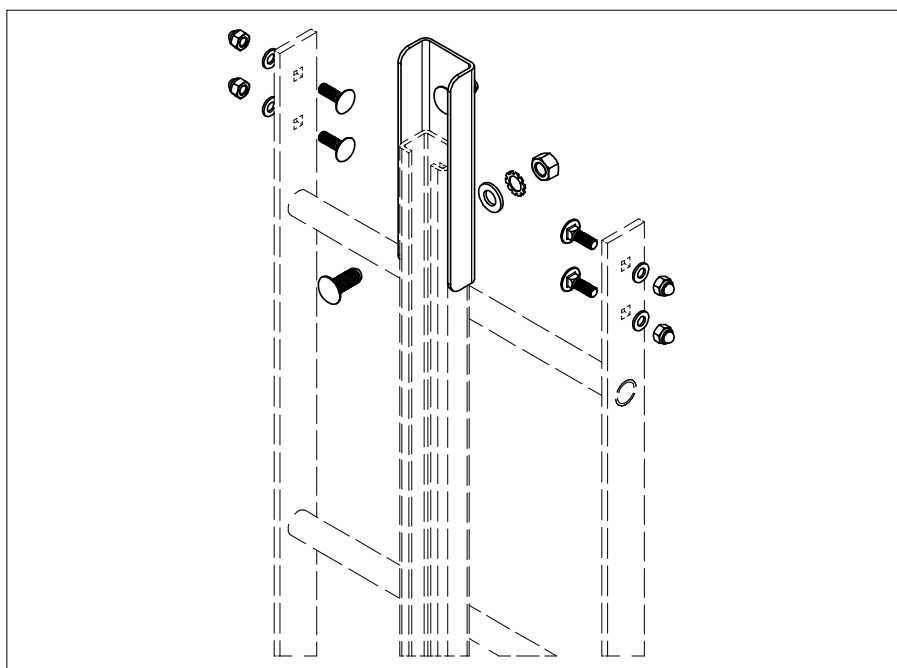
Material: Steel,
hot-dip galvanised
Weight: 0.6 kg/each
Part no. **17370**



Set of connectors

- To connect twin ladders
- Complete with all mounting elements
- Included in the delivery of each twin ladder
- Must be used when an existing twin ladder is cut and reconnected

Material: Steel,
hot-dip galvanised
Weight: 0.7 kg/each
Part no. **21903**

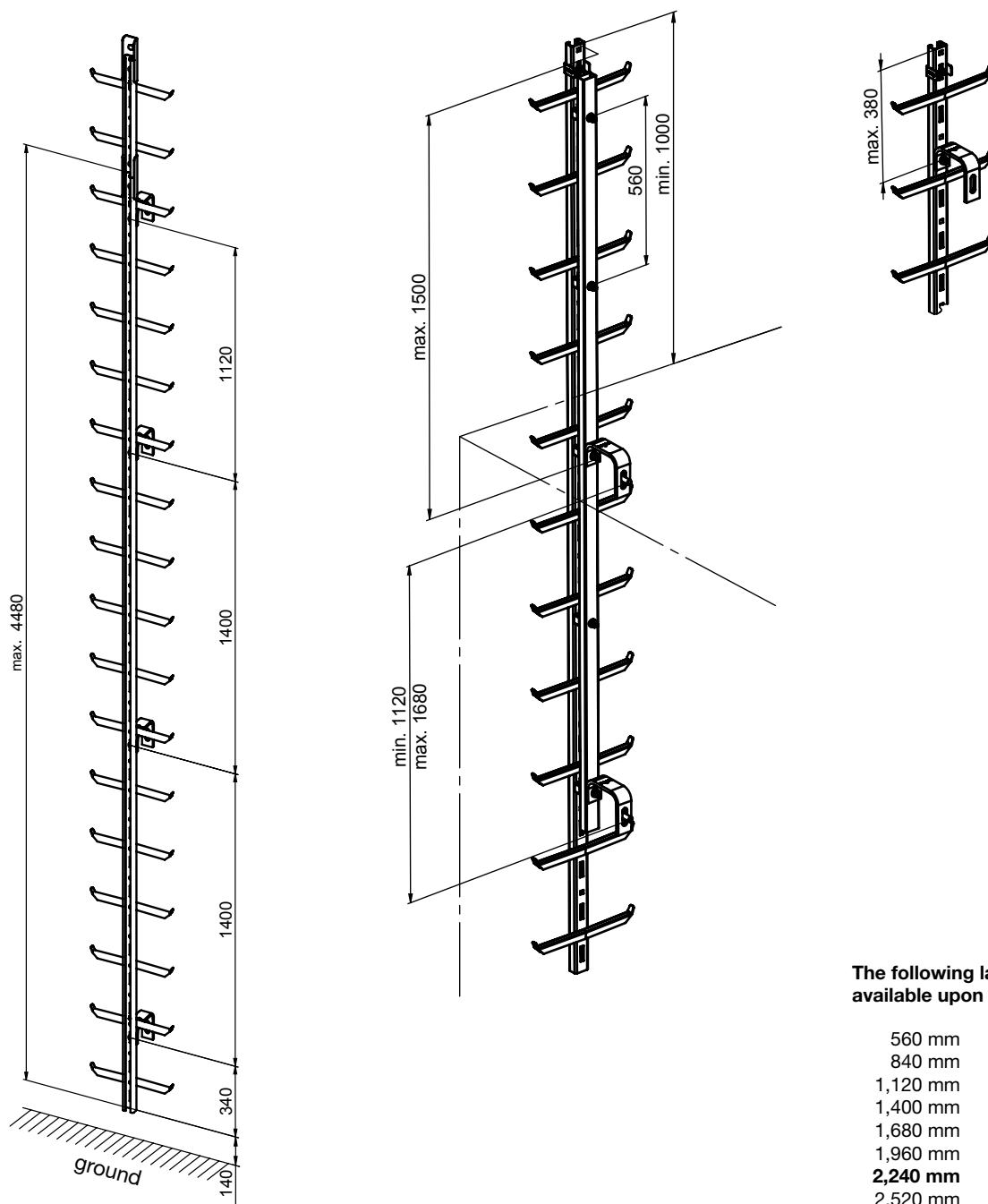


Fixing points for Y-spar made of steel/stainless steel. Using a recommended mounting distance between brackets of 1,400 mm up to max. 1,680 mm. Mounting only possible at the rectangular cut-out.

End of ladder run

With reinforcement

Without reinforcement



Note:

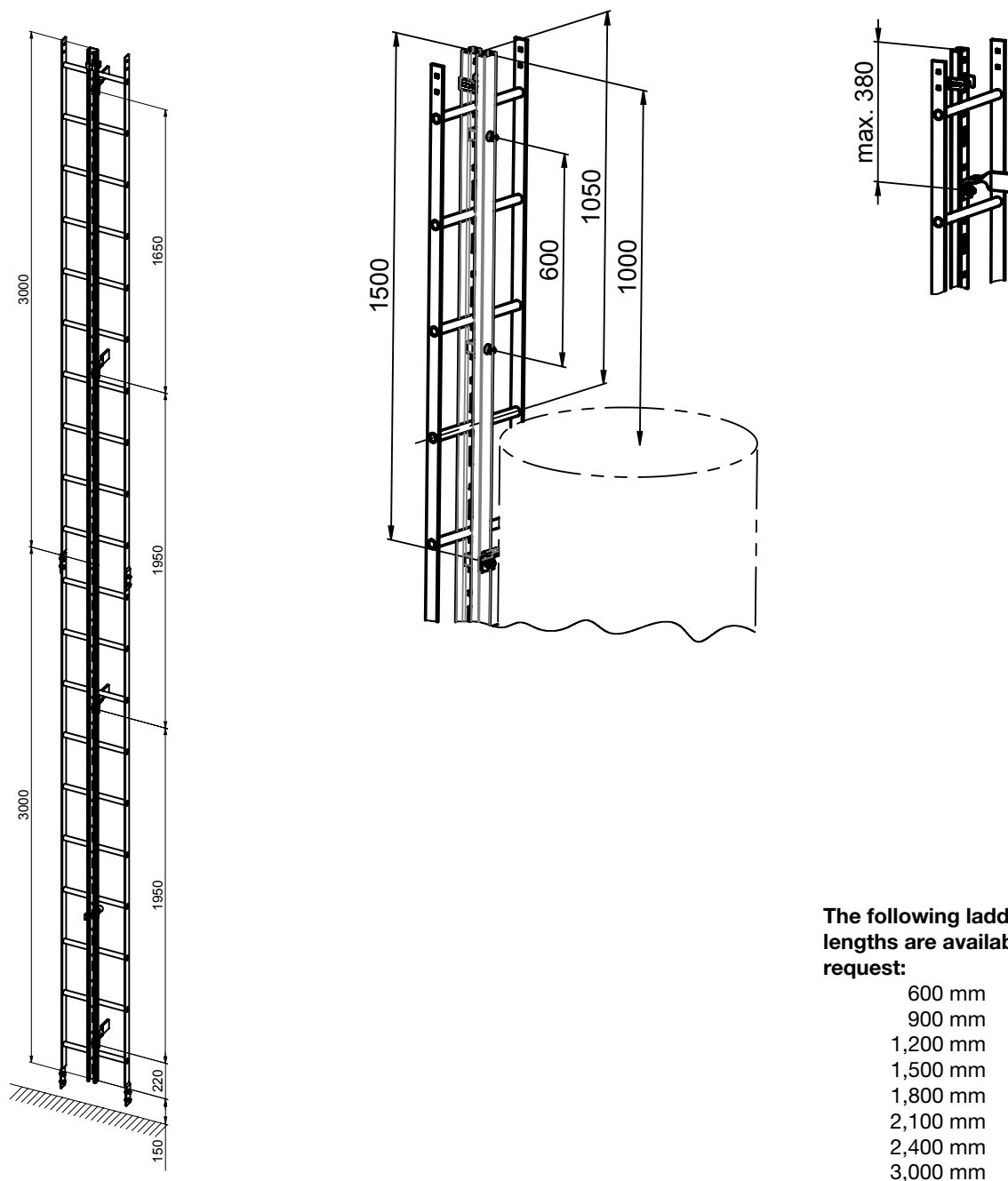
For design reasons, the guide rail of the ladder must be reinforced if, at the end of the ladder run, the guide rail rises more than 380 mm above the last mounting bracket. **Projections of more than 380 mm without extra reinforcement are not permitted.** The guide rail reinforcement 50 x 30 x 3 is bolted onto the guide rail from the back at a distance of 560 mm and must extend down over at least two mounting brackets. It must not extend beyond a ladder joint.

Fixing points on twin ladder for chimneys. Max. mounting distance between brackets 1,950 mm. Mounting only possible at the rectangular cut-out.

End of ladder run

With reinforcement

Without reinforcement



The following ladder lengths are available upon request:

- 600 mm
- 900 mm
- 1,200 mm
- 1,500 mm
- 1,800 mm
- 2,100 mm
- 2,400 mm
- 3,000 mm

Note:

For design reasons, the guide rail of the ladder must be reinforced if, at the end of the ladder run, the guide rail rises more than 380 mm above the last mounting bracket. **Projections of more than 380 mm without extra reinforcement are not permitted.** The guide rail reinforcement 50 x 30 x 3 is bolted onto the guide rail from the back at a distance of 600 mm and must extend down over at least two mounting brackets.

Bending of steel ladders

Required information for planning:

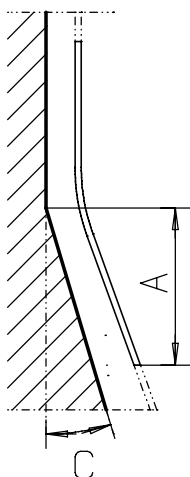
Bending Y-spar, hot-dip galvanised steel
Bending Y-spar, stainless steel, pickled

Part no.
Part no.

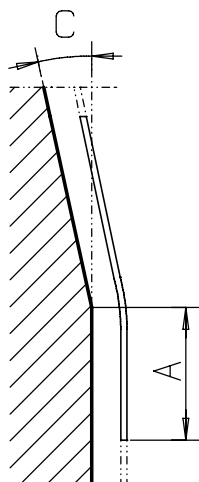
YST-<type>
YA4-<type>

Length of ladder section to be bent.

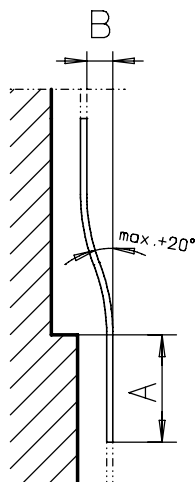
Type 1



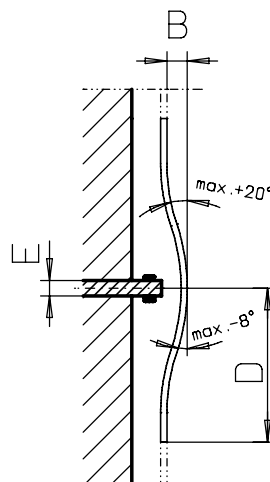
Type 2



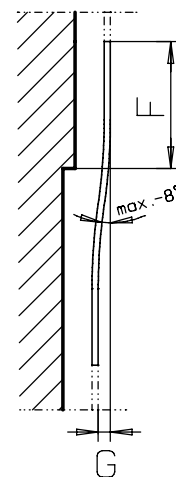
Type 3



Type 4



Type 5



A = Bottom edge of ladder to salient point of structure (mm)

B = Offset (mm)

C = Angle (max. 15°)

D = Bottom edge to centre of obstruction (mm)

E = Width of obstruction (mm)

F = Upper edge of ladder to offset (mm)

G = Offset (max. 260 mm)

NB:

The smallest bending radius for steel ladders is 1,000 mm

The extent of the bending depends on the bending radius and angle (type 1 + 2) or offset (type 3 - 5).

The surcharge for bending is calculated by bending type and offset.

Söll GlideLoc[®]

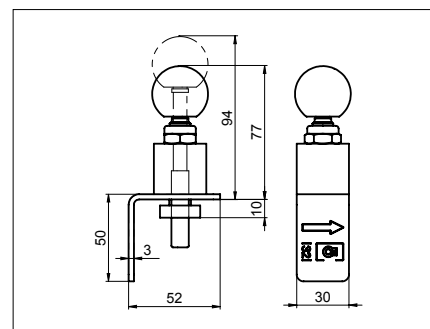
Steel/stainless steel ladders

End-stops

End-stop, top/bottom

- Prevents the fall arrester from either being inserted incorrectly or accidentally slipping out of the guide rail
- Complete with all mounting elements

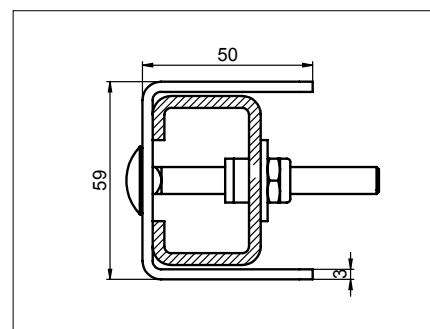
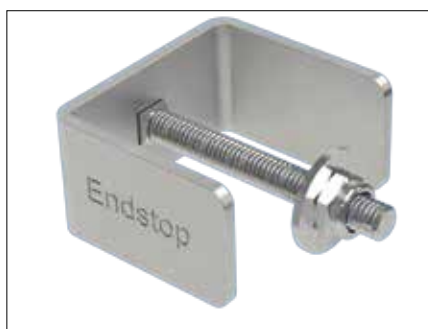
Material: Stainless steel, pickled
Weight: 0.3 kg/each
Part no. **26027**



Rigid end-stop

- Prevents the fall arrester from being taken out of the guide rail
- Complete with all mounting elements

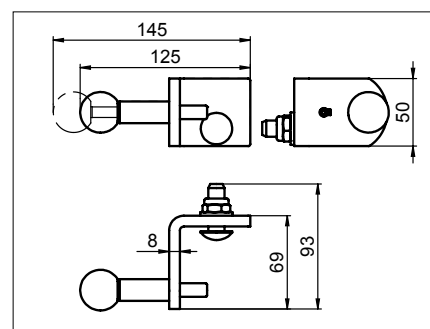
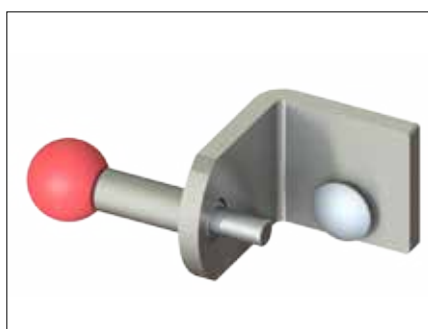
Material: Stainless steel, pickled
Weight: 0.2 kg/each
Part no. **11634**



End-stop, top/bottom side

- Prevents the fall arrester from either being inserted incorrectly or accidentally slipping out of the guide rail
- Complete with all mounting elements
- Used for:
 - Ladder projection < 150 mm
 - Mounting with reinforcement
 - Suitable for top and bottom use

Material: Stainless steel, pickled
Weight: 0.2 kg/each
Part no. **27136**



Söll GlideLoc®

Steel/stainless steel ladders

Mounting elements

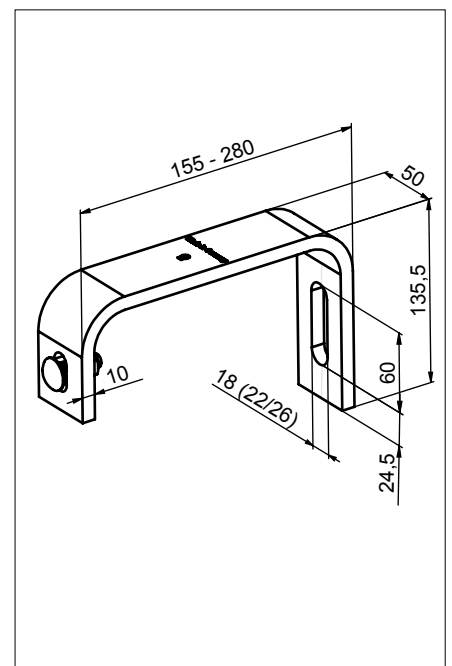
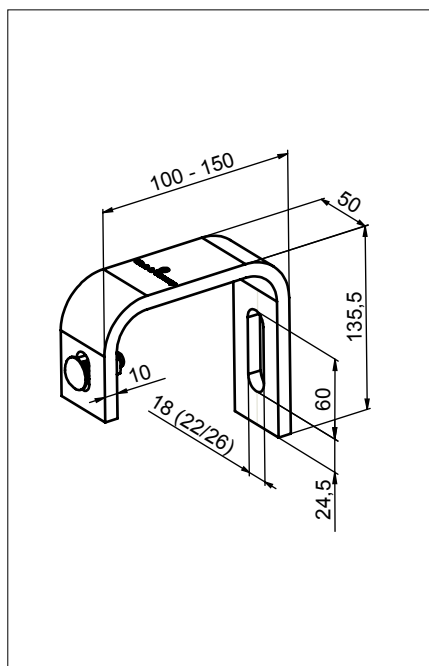
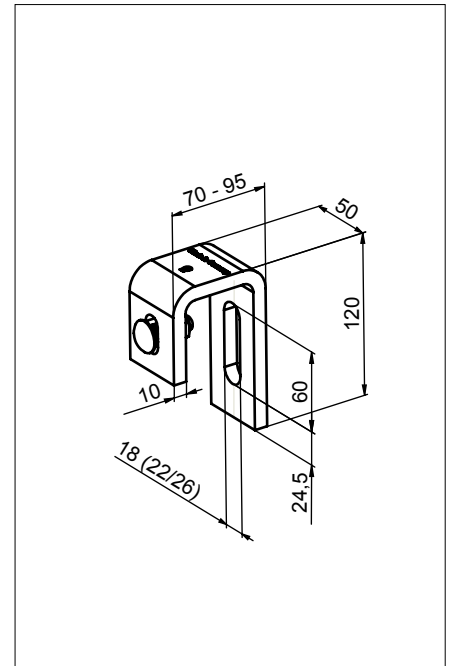
Bracket

- Complete with all ladder mounting elements
- Wall attachment must be drilled to suit site conditions. Minimum bolt diameter M16
- Projection in 5 mm increments from 70 mm to max. 280 mm available
- Variable mounting distance possible by moving and turning the bracket as required

Material: Steel, hot-dip galvanised
 Weight: Depends on projection
**Part no. BB-SSTR-
 <projection in mm>**

Material: Stainless steel, pickled
 Weight: Depends on projection
**Part no. BB-SA4R-
 <projection in mm>**

Special projections (e.g. 163 mm) are achieved using washers



Söll GlideLoc®

Steel/stainless steel ladders

Mounting elements

Clamp

- Projection up to 1,000 mm possible
- Complete with all mounting elements
- Please indicate the exact mast diameter 'D' and projection 'L' when placing the order
- Material thickness 'z' of clamp halves:
 - Up to Ø 210 mm 'z' = 6 mm
 - From Ø 220 mm 'z' = 8 mm
- Mast diameter:
 - Min. 60 mm
 - Max. 1,500 mm

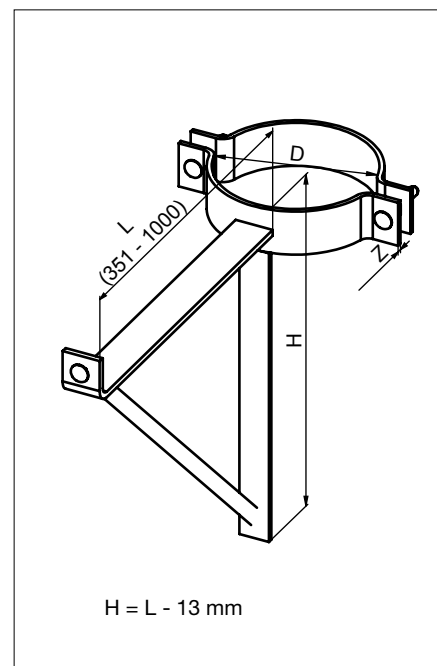
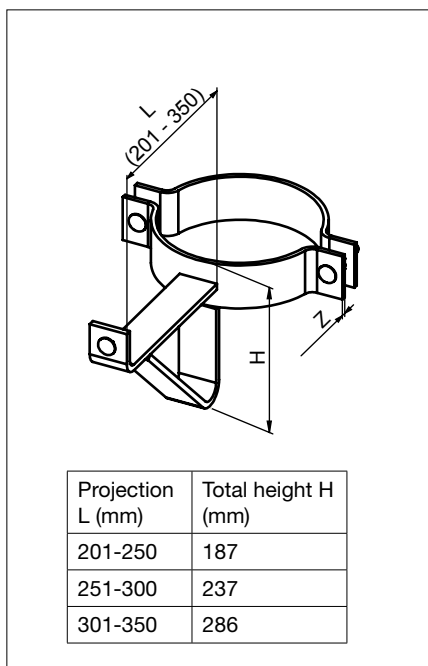
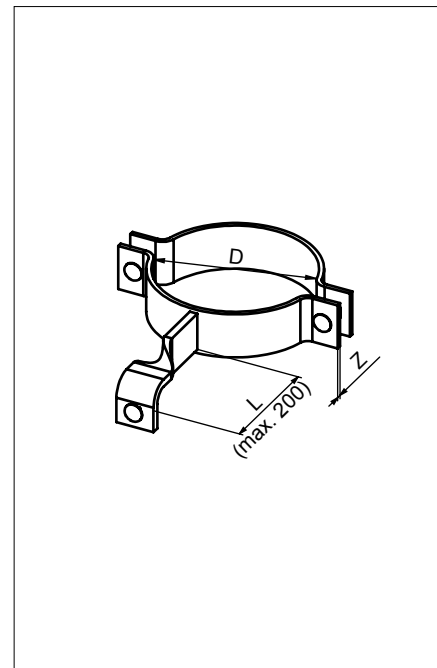
Weight: Depends on mast diameter and projection

Material: Steel, hot-dip galvanised

Part no. **BS-STR- $\langle\text{Ø in mm}\rangle$**

Material: Stainless steel, pickled

Part no. **BS-A4R- $\langle\text{Ø in mm}\rangle$**



Note:

Projection 'L' depends on the type of bracket.

Söll GlideLoc®

Steel/stainless steel ladders

Mounting elements

Angle corner mounting bracket

- For use on corner struts of lattice masts with angle profile
- Complete with all mounting elements
- Support structure must be checked to ensure sufficient strength

Material: Steel,
hot-dip galvanised

For use on corner struts with angle profile up to 100 x 100

Weight: 2.1 kg/each

Part no. 11025

For use on corner struts with angle profile from 110 x 110 to 140 x 140

Weight: 2.4 kg/each

Part no. 14696

For use on corner struts with angle profile from 150 x 150 to 180 x 180

Weight: 2.5 kg/each

Part no. 14698

For use on corner struts with angle profile from 190 x 190 to 220 x 220

Weight: 2.8 kg/each

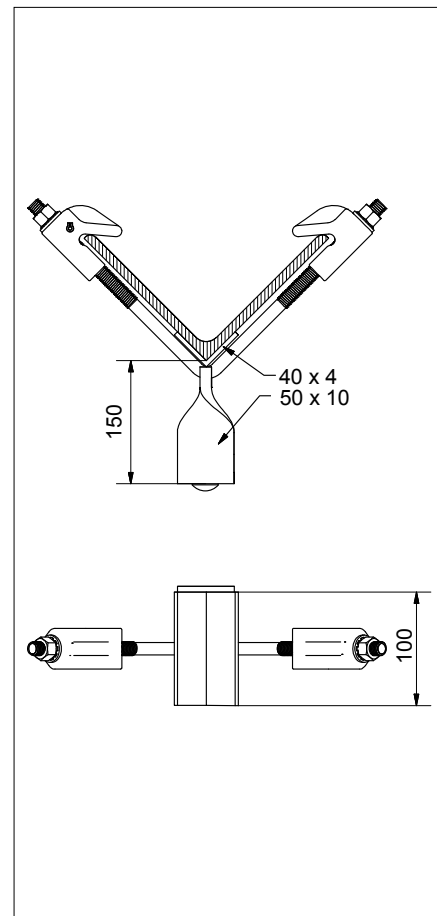
Part no. 14699

For use on corner struts with angle profile from 230 x 230 to 260 x 260

Weight: 2.9 kg/each

Part no. 14700

Angle corner mounting bracket with cable holder available upon request



Clamp for round rungs

- For retrofitting safety ladders to support structures made of round tube steel
- Complete with all mounting elements
- Support structure must be checked to ensure sufficient strength

Material: Steel,
hot-dip galvanised

Weight: 1.7 kg/each

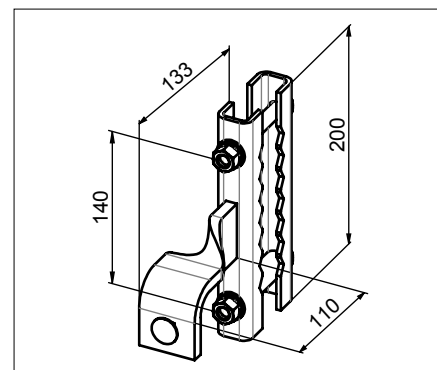
Part no. 11222

Material: Stainless steel,
pickled

Weight: 1.5 kg/each

Part no. 16601

Other projections available upon request



Note:

Projection 'L' depends on the type of bracket.

Söll GlideLoc®

Steel/stainless steel ladders

Mounting elements

Clamp for square rungs

- For retrofitting safety ladders to support structures made of angle steel, U and hollow profiles
- Complete with all mounting elements
- Support structure must be checked to ensure sufficient strength

Material: Steel,
hot-dip galvanised

Weight: 1.8 kg/each

Part no. **24462**

Stainless steel available upon request

Other projections available upon request

Bracket

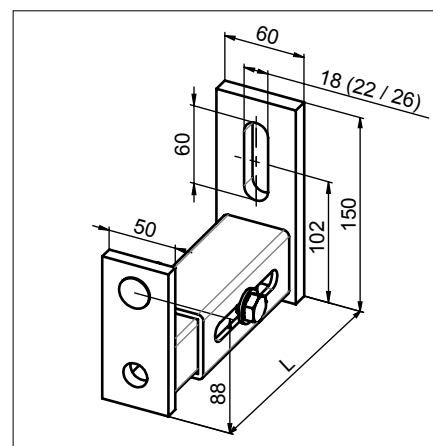
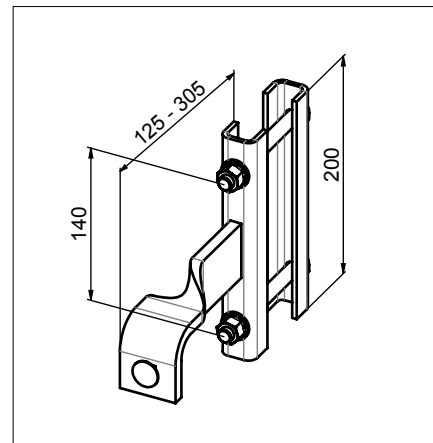
- With adjustable projection
- Complete with all ladder mounting elements
- Wall attachment must be drilled to suit site conditions. Minimum bolt diameter M16

Material: Steel,
hot-dip galvanised

Weight: See table

Part no. **See table**

Stainless steel available upon request



Pro- jection (mm)	Bolt diame- ter of structure	Weight (kg/each)	Part no.
150 - 225	M16	2.5	15479
150 - 225	M24	2.5	24831
226 - 300	M16	2.8	15489
301 - 375	M16	3.1	15491
376 - 450	M16	5.7	24259
451- 525	M16	6.1	24542
526 - 600	M16	9.7	24185

Söll GlideLoc®

Steel/stainless steel ladders

Mounting elements

Clamp

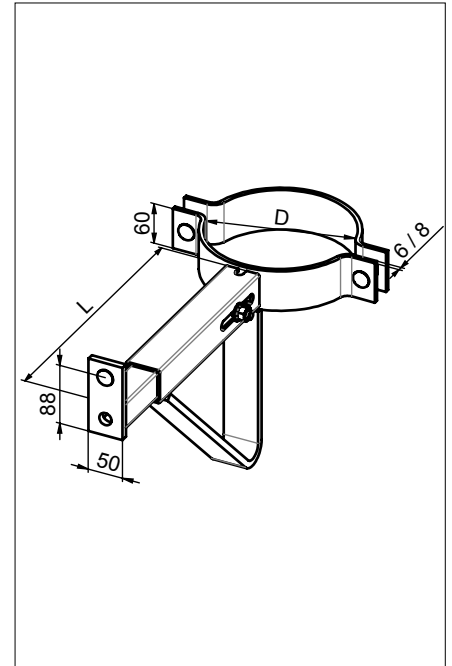
- With adjustable projection
- Complete with all ladder mounting elements
- Please indicate the exact mast diameter and projection range when placing the order
- Mast diameter:
Min. 60 mm
Max. 1,500 mm
- Projection ranges:
L = 200 - 275 mm
L = 276 - 350 mm

Material: Steel,
hot-dip galvanised

Weight: Depends on mast diameter and projection

Part no. **BS-VSTR- $\langle\text{Ø in mm}\rangle$**

Other projections available upon request



Note:

Projection 'L' depends on the type of bracket.

Söll GlideLoc®

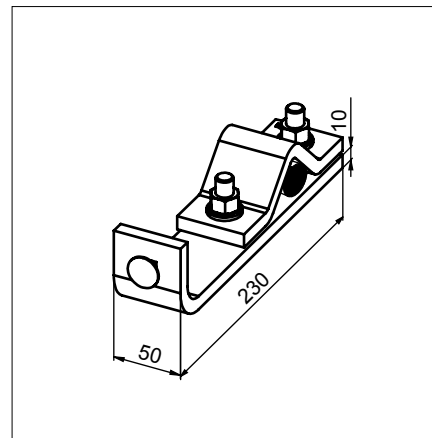
Steel/stainless steel ladders

Mounting elements

Bracket

- For use on tube structures of 20 - 70 mm diameter
- Complete with all mounting elements
- Support structure must be checked to ensure sufficient strength
- Please indicate the exact diameter

Material: Steel, hot-dip galvanised
Weight: 1.9 kg/each
Part no. **12709**



Weld-on bracket

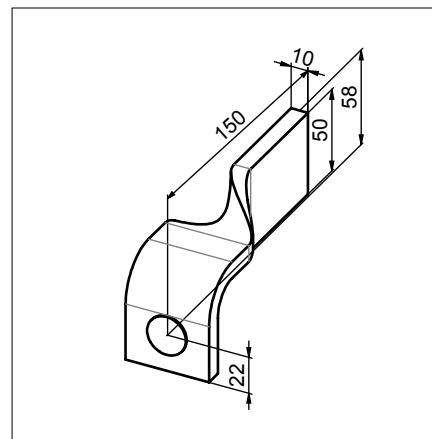
- To be welded on site
- Projection 150 mm
- Complete with all mounting elements
- Ensure structure is suitable for welding

Weight: 0.8 kg/each

Material: Raw steel
Part no. **12732**

Material: Steel, hot-dip galvanised
Part no. **16629**

Material: Stainless steel, pickled
Part no. **16596**

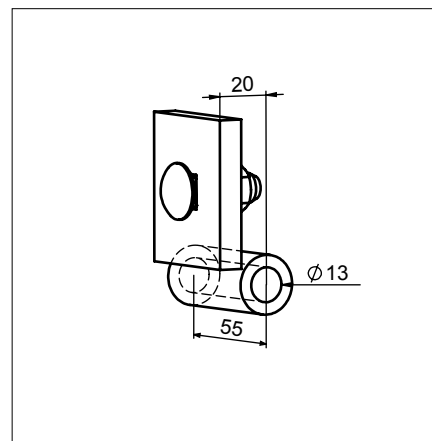
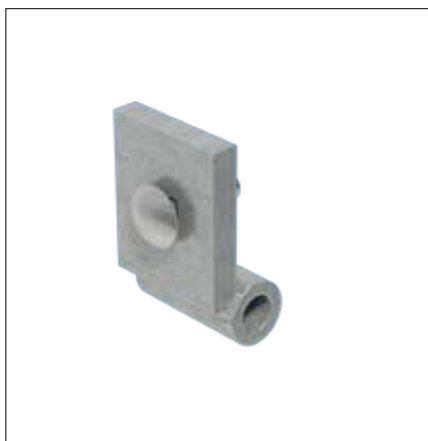


Projection up to 280 mm possible

Adapter

- To connect mounting clamp BS-STTS, BS-VSTS/mounting bracket BB-STTS, BB-VSTS with steel ladder

Material: Steel, hot-dip galvanised
Weight: 0.4 kg/each
Part no. **18803**



Söll GlideLoc®

Steel/stainless steel ladders

Mounting elements

Mounting bracket with adapter

- With adjustable projection
- Used where ladder bends
- Complete with all ladder mounting elements
- Wall attachment must be drilled to suit site conditions. Minimum bolt diameter M16

Material: Steel, hot-dip galvanised

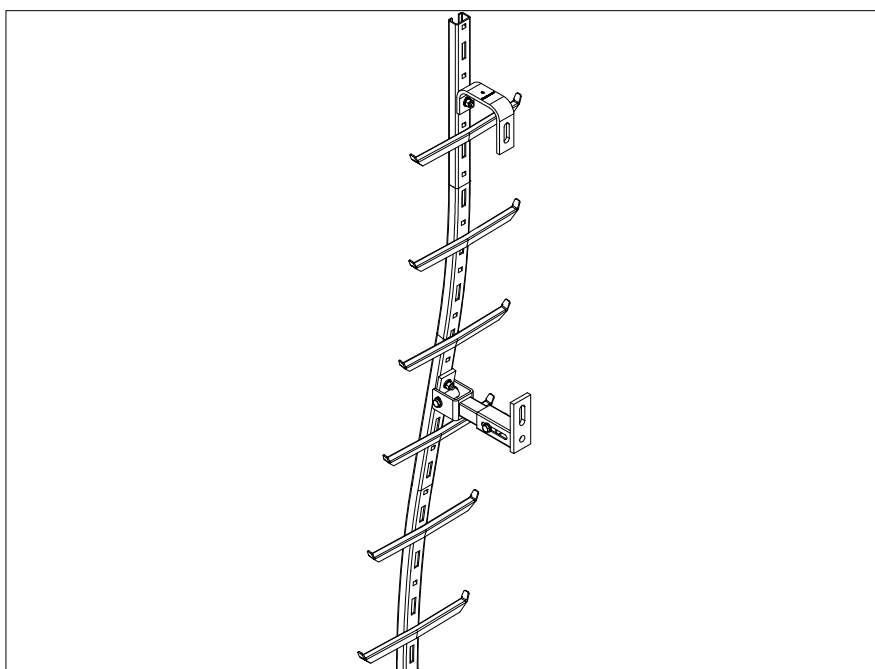
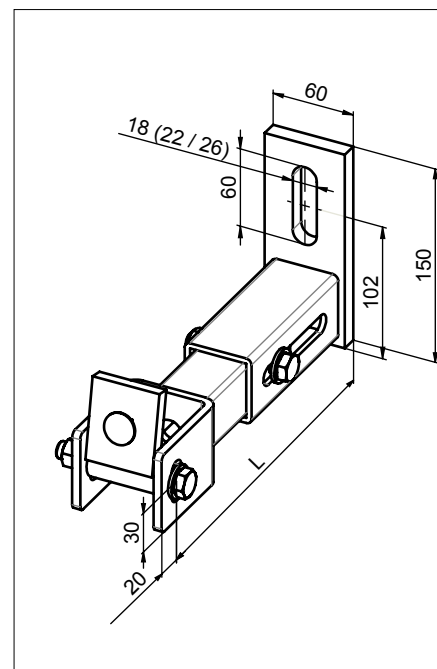
Weight: See table

Part no. **BB-VSTAD**<projection in mm> (see table)

Pro-jection (mm)	Bolt diameter of structure	Weight (kg/each)	Part no.
220 - 295	M16	2.7	19662
220 - 295	M24	2.7	26309
296 - 370	M16	3.0	19663
296 - 370	M24	3.0	26310
371 - 445	M16	3.9	19664
371 - 445	M24	3.9	26311

Larger projections available upon request

Installation example



Note:

Projection 'L' depends on the type of bracket.

Söll GlideLoc®

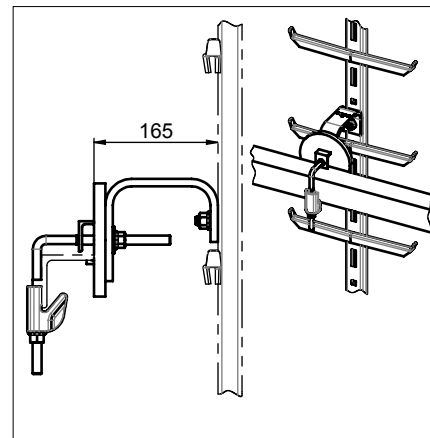
Steel/stainless steel ladders

Mounting elements

Mounting element

- For diagonal struts on lattice masts on the exterior of the corner strut
- Complete with all mounting elements
- Please indicate strut width

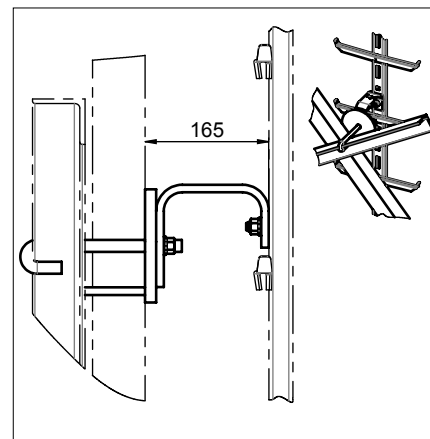
Material: Steel, hot-dip galvanised
Weight: Depends on size
Part no. **BB-DA**



Mounting element

- For crossings of diagonal struts on lattice masts
- Complete with all mounting elements
- Please indicate the strut width and any filler plate measurements

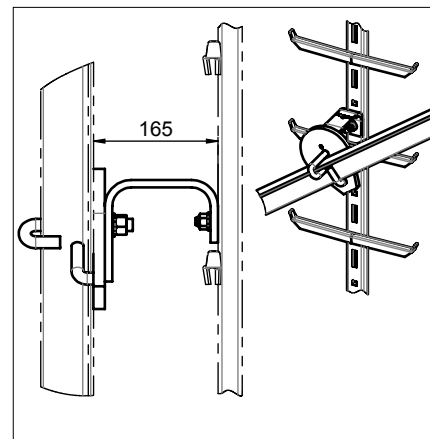
Material: Steel, hot-dip galvanised
Weight: Depends on size
Part no. **BB-DK**



Mounting element

- For diagonal struts on lattice masts on the interior of the corner strut
- Complete with all mounting elements
- Please indicate strut width

Material: Steel, hot-dip galvanised
Weight: Depends on size
Part no. **BB-DI**



Söll GlideLoc®

Steel/stainless steel ladders

Mounting elements

Bracket

- For use on brickwork
- Projection up to 1,000 mm possible
- Complete with all ladder mounting elements
- Please indicate projection 'L' when placing the order

Material: Steel, hot-dip galvanised

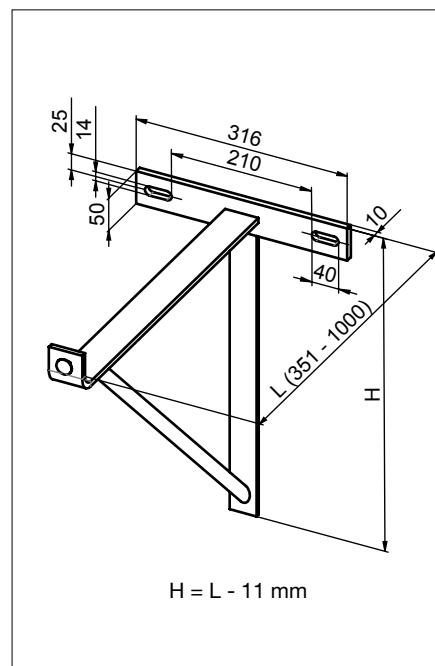
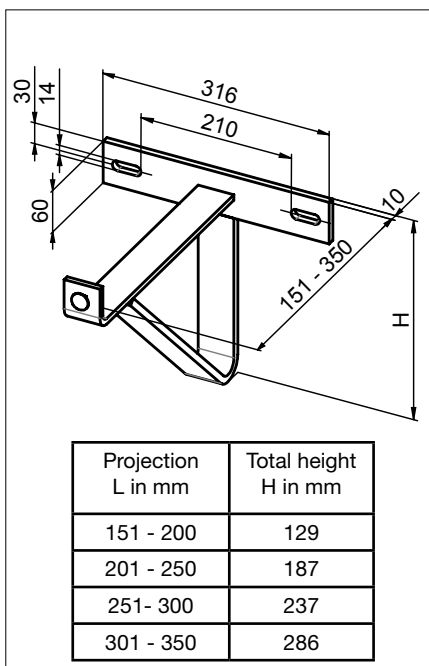
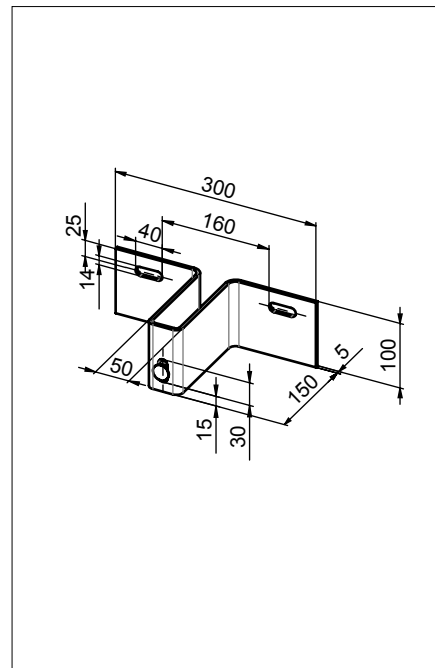
Weight: Depends on projection

Part no. **BB-MSTR-
<projection in mm>**

Material: Stainless steel, pickled

Weight: Depends on projection

Part no. **BB-MA4R-
<projection in mm>**



Note:

Projection 'L' depends on the type of bracket.

Söll GlideLoc®

Steel/stainless steel ladders

Mounting elements

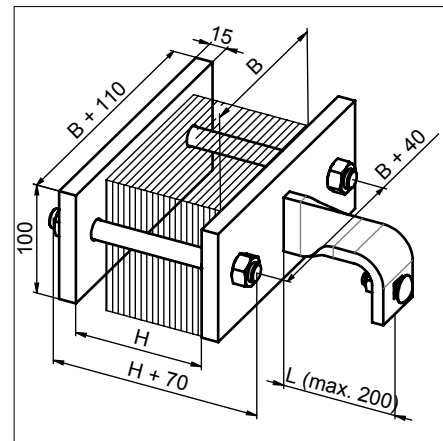
Mounting bracket

- For use on supports and hollow profiles
- Please indicate dimensions W, H and projection 'L' when placing the order

Material: Steel, hot-dip galvanised

Weight: Depends on Dimensions

Part no. **16802**



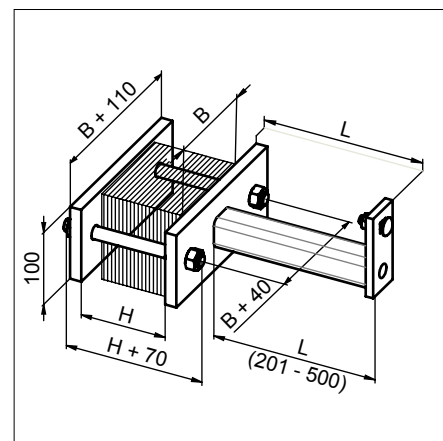
Mounting bracket

- For use on supports and hollow profiles
- Please indicate dimensions W, H and projection 'L' when placing the order

Material: Steel, hot-dip galvanised

Weight: Depends on Dimensions

Part no. **20817**



Note:

Projection 'L' depends on the type of bracket.

Söll GlideLoc[®]

Steel/stainless steel ladders

Footrests

Folding footrest

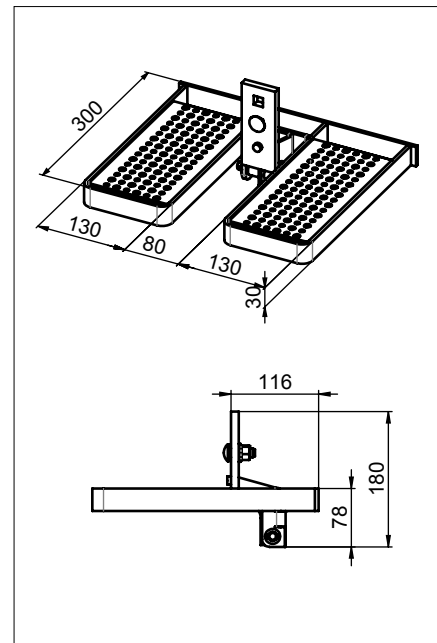
- Complies with DIN 18799
- For projection from 150 mm
- Complete with all mounting elements

Material: Steel, hot-dip galvanised

Weight: 4.3 kg/each

Part no. **23723**

Stainless steel available upon request



Footrest

- Pivotal
- For steel/stainless steel Y-spar ladders
- Complete with all mounting elements

Hinge on left side

Material: Steel, hot-dip galvanised

Weight: 18.0 kg/each

Part no. **16551**

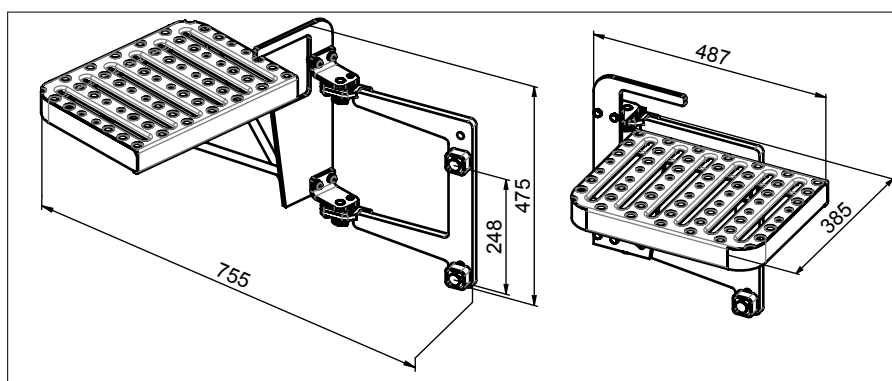
Hinge on right side

Material: Steel, hot-dip galvanised

Weight: 18.0 kg/each

Part no. **16550**

Stainless steel available upon request



Söll GlideLoc®

Steel/stainless steel ladders

Footrests

Folding footrest

- Complies with DIN 18799
- For projection from 130 mm
- Complete with all mounting elements

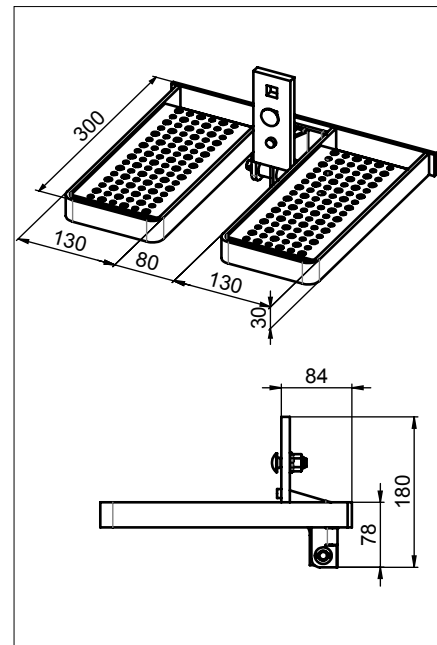
Combination with part no. 11222 possible

Material: Hot-dip galvanised steel

Weight: 4.4kg/each

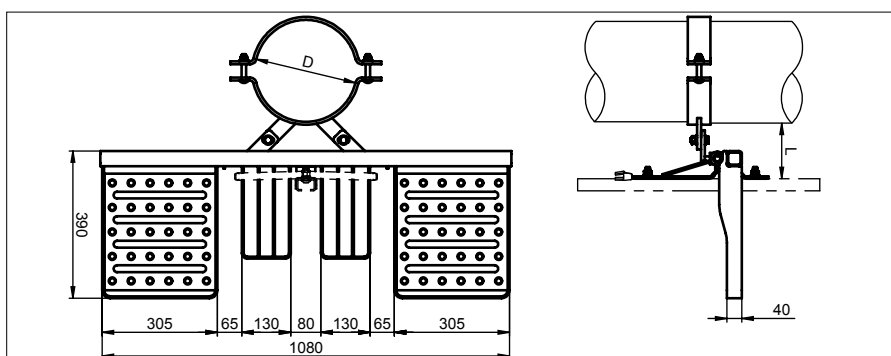
Part no. 24535

Stainless steel available upon request



Footrest

- With working platforms on both sides
- To provide working access adjacent to the ladder
- Footrest and platforms can be folded
- Mounted to the guide rail and mast at the same time
- For use by one person only
- Complete with all mounting elements
- Rung distance 280 mm
- Step width 150 mm
- Please indicate the following required information:
Mast diameter D
Projection L



Material: Steel, hot-dip galvanised

Weight: Depends on mast diameter

Part no. 26539

Stainless steel available upon request

Wall and angle corner mounting bracket available upon request

Söll GlideLoc[®]

Steel/stainless steel ladders

Footrests

Footrest

- With one working platform on left side
- To provide working access adjacent to the ladder
- Footrest and platform can be folded
- Mounted to the guide rail and mast at the same time
- For use by one person only
- Complete with all mounting elements
- Rung distance 280 mm
- Step width 150 mm
- Please indicate the following required information:

Mast diameter D
Projection L

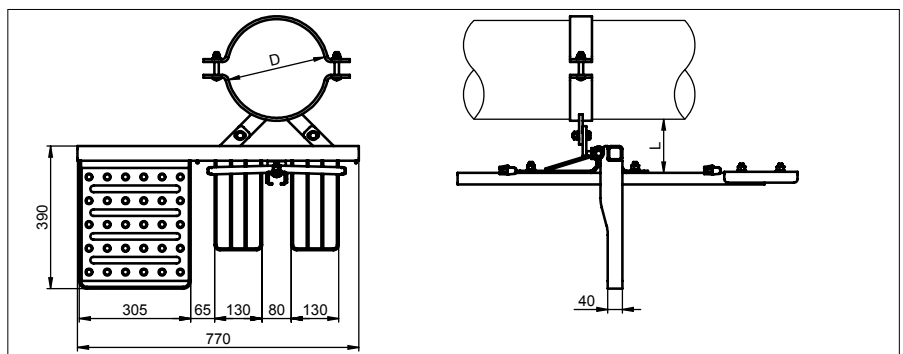
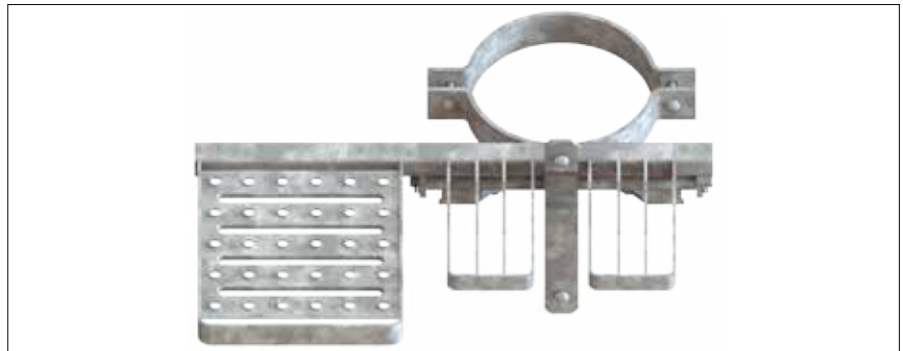
Material: Hot-dip galvanised steel

Weight: Depends on mast diameter

Part no. **26547**

Stainless steel available upon request

Wall and angle corner mounting bracket available upon request



Footrest

- With one working platform on right side
- To provide working access adjacent to the ladder
- Footrest and platform can be folded
- Mounted to the guide rail and mast at the same time
- For use by one person only
- Complete with all mounting elements
- Rung distance 280 mm
- Step width 150 mm
- Please indicate the following required information:

Mast diameter D
Projection L

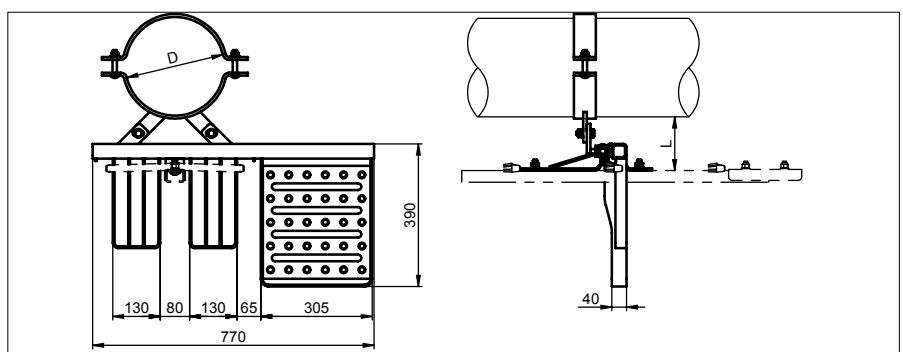
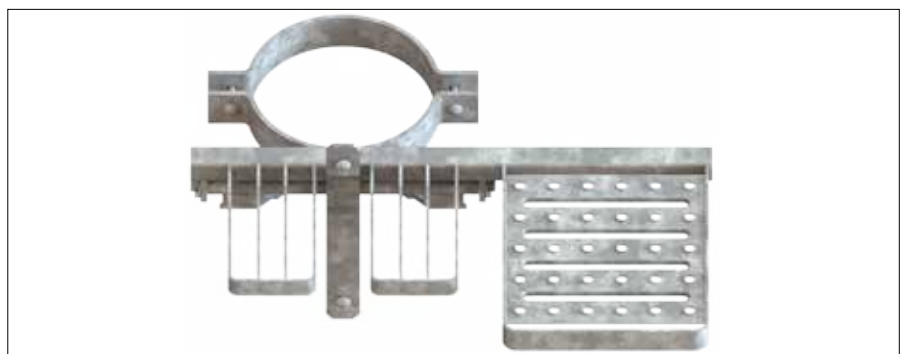
Material: Hot-dip galvanised steel

Weight: Depends on mast diameter

Part no. **26549**

Stainless steel available upon request

Wall and angle corner mounting bracket available upon request



Söll GlideLoc®

Galvanised/stainless steel ladders

Cover plates

Steel cover plate

- For steel ladders
- Without ladder section
- Prevents unauthorised people from climbing the ladder
- Can be mounted and must be secured with a padlock
- Length 2,000 mm

Material: Hot-dip galvanised steel

Weight: 17.1 kg/each

Cover plate for steel Y-spar

Part no. 11354

Cover plate for steel twin ladder

Part no. 17436

Aluminium cover plate

- For steel ladders

Material: Anodised aluminium

Weight: 33.3 kg/each

Hinge on left side

Part no. 17291

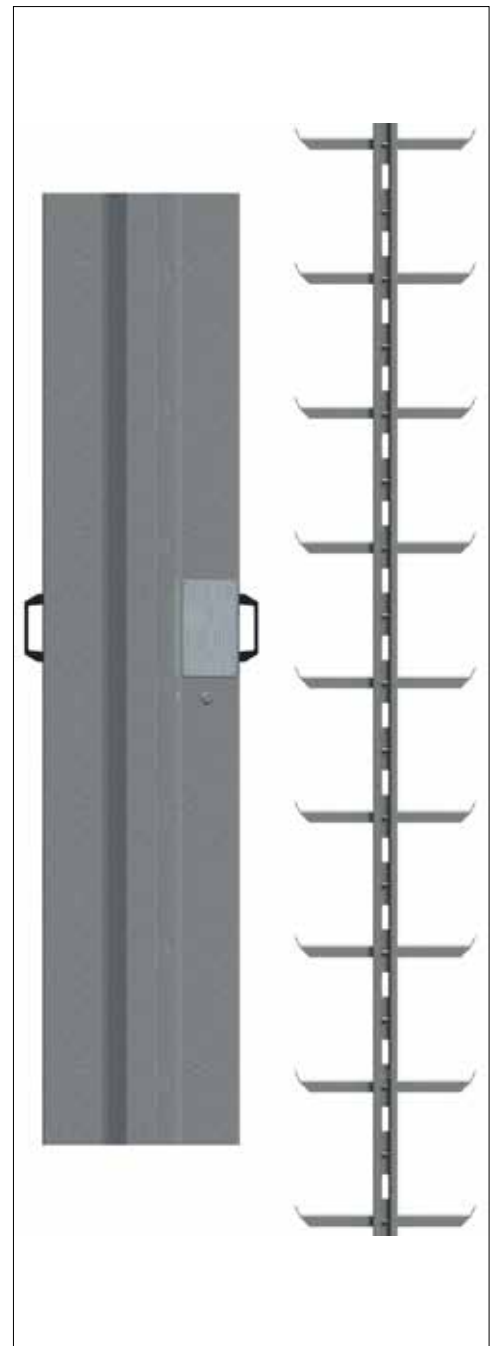
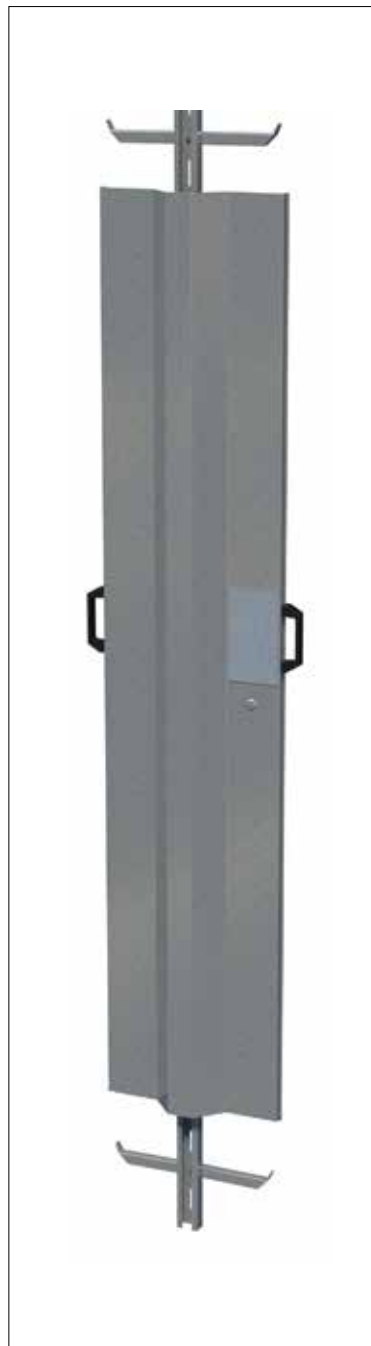
(not shown)

Hinge on right side

Part no. 21743

(not shown)

As an alternative to the cover plate, the **Söll PivotLoc foldable ladder system** is also possible.



Söll GlideLoc®

Galvanised/stainless steel ladders

Cover plates

Steel cover plate

- For steel ladders
- With Y-spar ladder section (L = 2,240 mm)
- Ladder section including recess
- Prevents unauthorised people from climbing the ladder
- Opens laterally
- Securing with padlock
- Hinge can be on left or right side

Material: Hot-dip galvanised steel

Weight: 30.0 kg/each

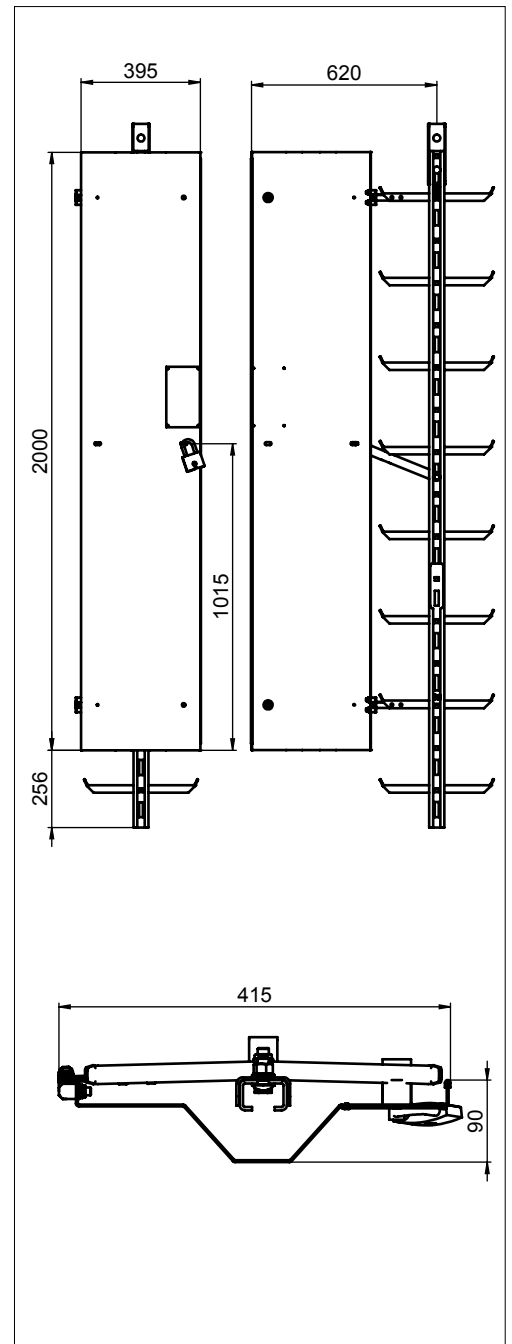
Hinge on left side

Part no. 22054

Hinge on right side

Part no. 19787

As an alternative to the cover plate, the **Söll PivotLoc foldable ladder system** is also possible.



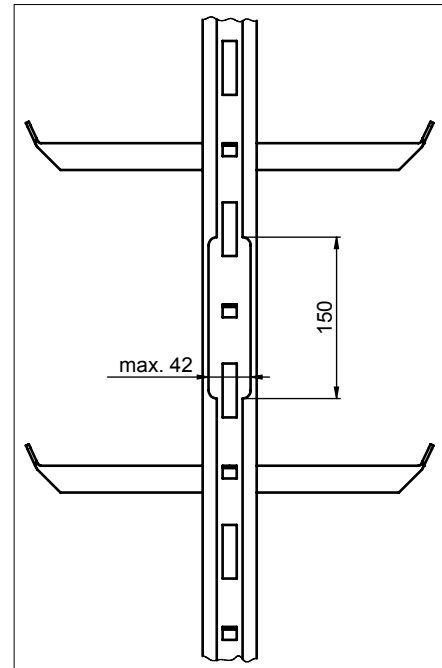
Söll GlideLoc[®]

Steel/stainless steel ladders

Recess

Recess

- To insert and take out the fall arresters
- As the fall protection unit does not have a protective function within the recess, there must be an end-stop (ordered separately) attached above the recess
- **The recess may only be at the beginning of the climbway, e.g. near the ground or on platforms with handrails**
- **A recess must not be used where there is a risk of falling for the user**
- **If the fall arrester is removed from the climbway course, an exit section has to be used**
- **At the time of ordering, the part of the ladder with a recess must be marked with an 'A' or the notice 'with recess'**



Söll GlideLoc®

Steel/stainless steel ladders

Exit section

Exit section

- To be installed within the climbway
- To remove or insert the fall arrester
- Comes with single-use mounting tool
- For steel/stainless steel ladders

Weight: 3.7 kg/each

Material: Steel, hot-dip galvanised

Part no. 11317

Material: Stainless steel, pickled

Part no. 16978

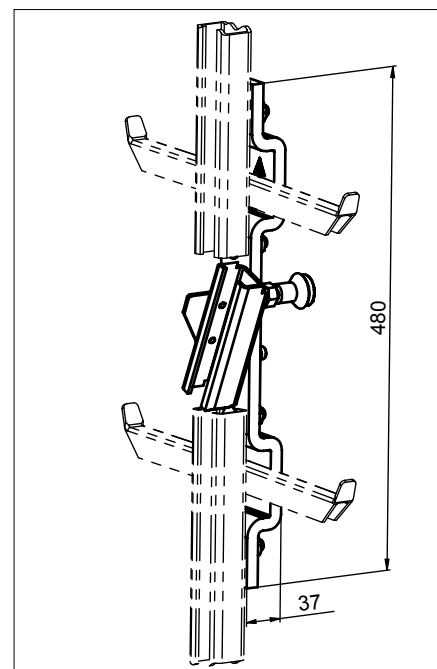
Factory assembly of the exit section

At the time of ordering, the part of the ladder with the factory assembled exit section must be marked with 'AV' or the notice 'with assembled exit section'.

In the case of assembly at the factory, please also specify the installation height.

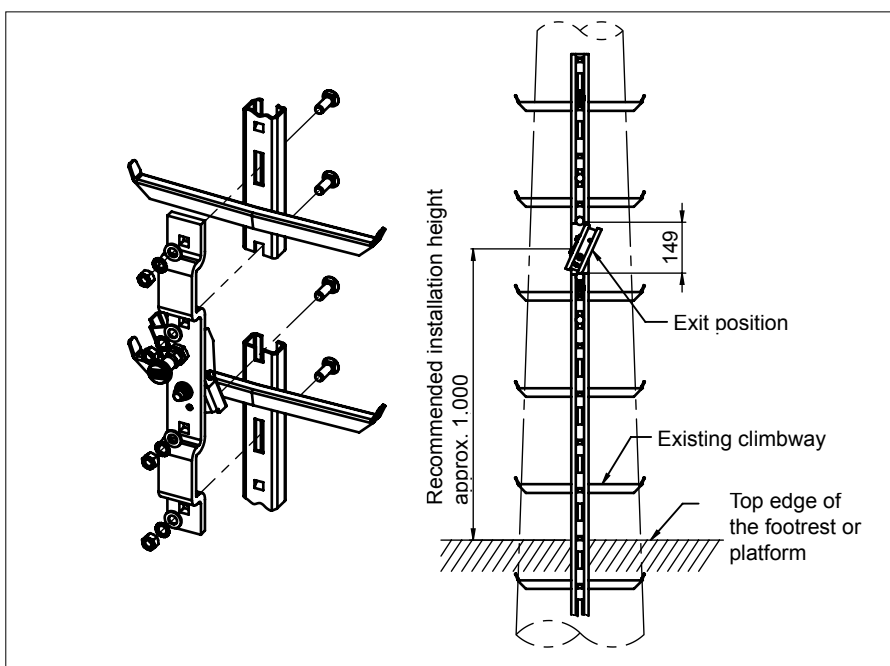
Please note:

Installation is only possible **between** two rungs.



Possible installation heights in a ladder section of 4,480 mm:

Height from bottom ladder section	
560 mm	Between 2nd and 3rd rung
840 mm	Between 3rd and 4th rung
1,120 mm	Between 4th and 5th rung
1,400 mm	Between 5th and 6th rung
1,680 mm	Between 6th and 7th rung
1,960 mm	Between 7th and 8th rung
2,240 mm	Between 8th and 9th rung
2,520 mm	Between 9th and 10th rung
2,800 mm	Between 10th and 11th rung
3,080 mm	Between 11th and 12th rung
3,360 mm	Between 12th and 13th rung
3,640 mm	Between 13th and 14th rung
3,920 mm	Between 14th and 15th rung



The recommended installation height is approx. 1,000 mm above the top edge of the footrest

Söll GlideLoc®

Steel/stainless steel ladders

Accessories

Turntable

- For safe transfer from vertical to horizontal and vice versa
- With aluminium profile for supporting the fall arrester
- Please specify the guide rail profile of the horizontal and vertical system

Material: Stainless steel, pickled
Weight: 4.2 kg/each

Bending radius of horizontal guide rail > 1,000 mm

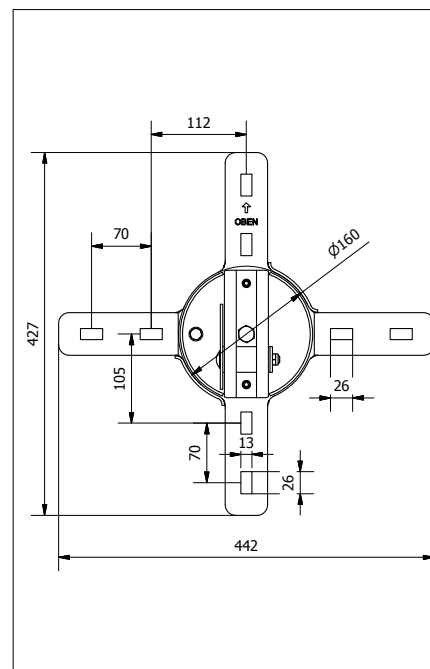
Part no. 11607

Bending radius of horizontal guide rail < 1,000 mm

Part no. 20349

Factory assembly on steel Y-spar ladder

Part no. 16884



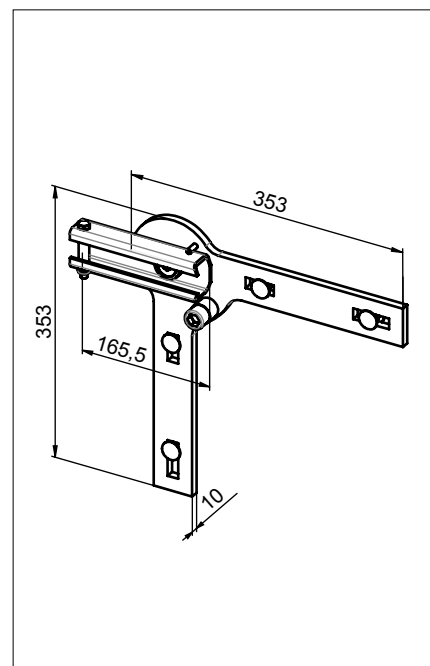
Ho-Ver turntable

- For safe transfer from vertical to horizontal and vice versa
- The direction of travel can only be changed to the left or to the right
- Available also with release option in the pivoting part
- The combination of two or more turntables is only permitted if checked by the manufacturer and specifically approved in writing

Material: Stainless steel, pickled
Weight: 3.7 kg/each
Part no. 22322

With release option

Material: Stainless steel, pickled
Weight: 3.7 kg/each
Part no. 22495
(not shown)



Söll GlideLoc®

Steel/stainless steel ladders

Accessories

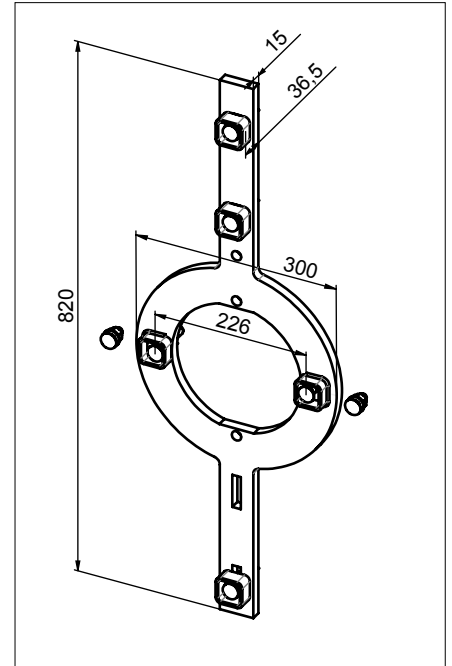
Turtable holder

- Holder for turntable mounting
- Alternative solution for mounting turntable with four brackets
- Complete with spacers and mounting elements
- For mounting a turntable on a Söll GlideLoc® steel ladder

Material: Steel,
hot-dip galvanised

Weight: 8.7 kg/each

Part no. **22300**



Söll GlideLoc®

Steel/stainless steel ladders

Accessories

Mounting bracket with adjustable projection

- Projection: 120 mm to 160 mm
- To be used for mounting turntable only
- Screws for installation on the turntable not included

Material: Steel, hot-dip galvanised

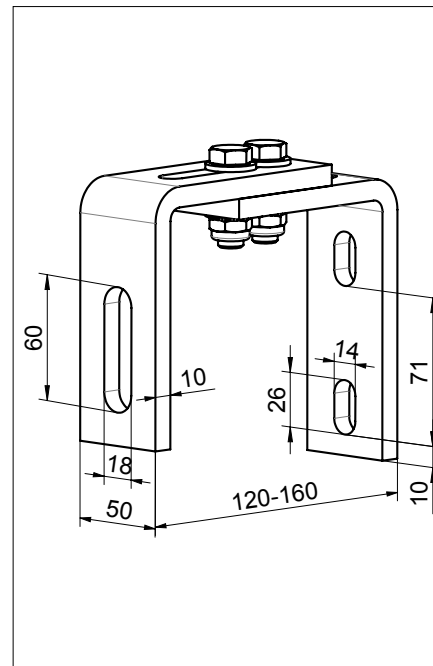
Weight: 1.6 kg/each

Part no. **10867**

Material: Stainless steel, pickled

Weight: 1.6 kg/each

Part no. **11591**



Mounting bracket with adjustable projection

- Projection: 160 mm up to 200 mm
- To be used for mounting turntable only
- Screws for installation on the turntable not included

Material: Steel, hot-dip galvanised

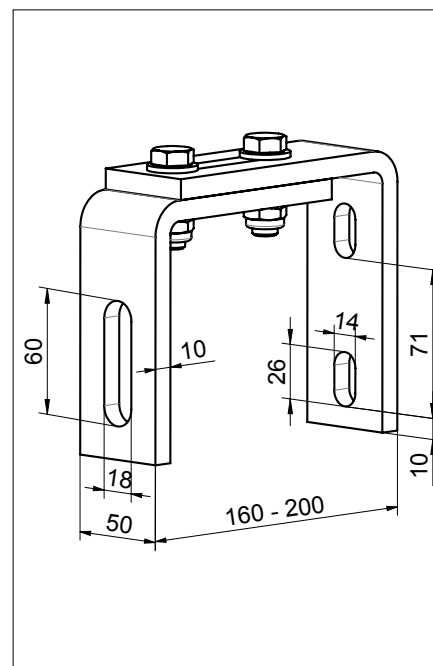
Weight: 1.8 kg/each

Part no. **10869**

Material: Stainless steel, pickled

Weight: 1.8 kg/each

Part no. **15250**



Note:

Projection 'L' depends on the type of bracket.
These mounting brackets cannot be used as ladder mounting brackets.

Söll GlideLoc[®]

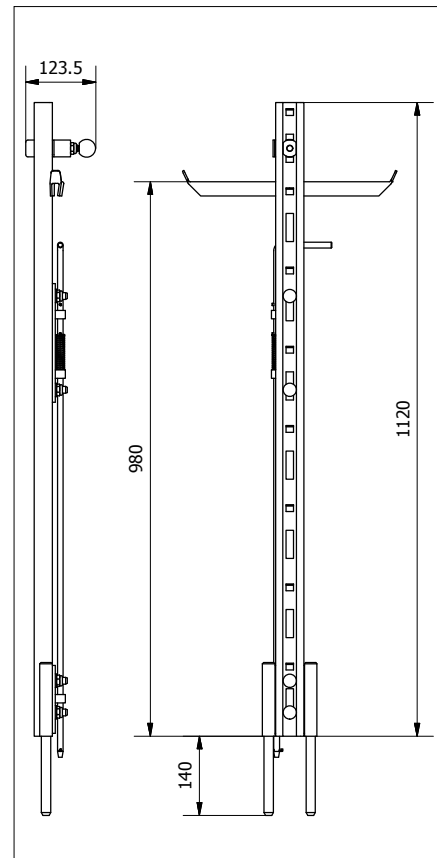
Steel/stainless steel ladders

Manhole entry device

Manhole entry device

- For safe entry into manholes
- Only use together with lower part for manhole entry device
- This device can be moved from one manhole ladder to another and locked

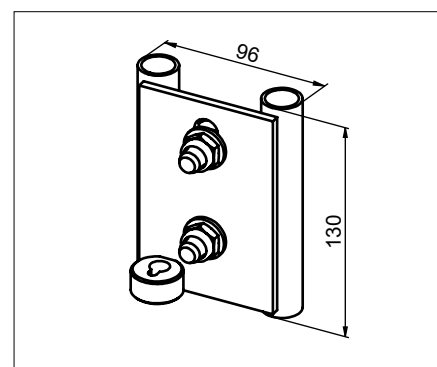
Material: Stainless steel, pickled
 Weight: 7.0 kg/each
 Part no. 17065



Lower part for manhole entry device

- Fixed to the rear of the fixed guide rail

Material: Stainless steel, pickled
 Weight: 0.8 kg/each
 Part no. 16191



Söll GlideLoc[®]

Steel/stainless steel ladders

Rotary exit section

Rotary exit section

- Used for leaving or entering the ladder system safely onto or from the platform behind the ladder
- Rotary exit section can be turned left or right
- Please take total ladder length up to rotary disk into account when ordering
- The top two rungs of the last ladder section must be removed
- Footrest with two individually foldable platforms

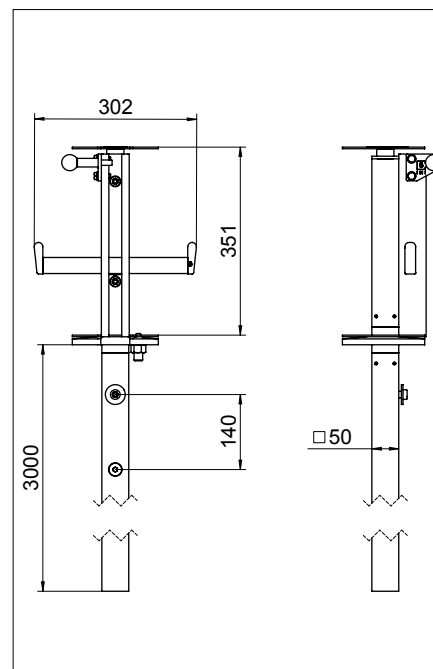
With footrest

Material: Anodised aluminium
Weight: 18.0 kg/each
Part no. **17053**

Without footrest

Material: Anodised aluminium
Weight: 12.4 kg/each
Part no. **16666**

Factory assembly on a ladder section
Part no. **16604**

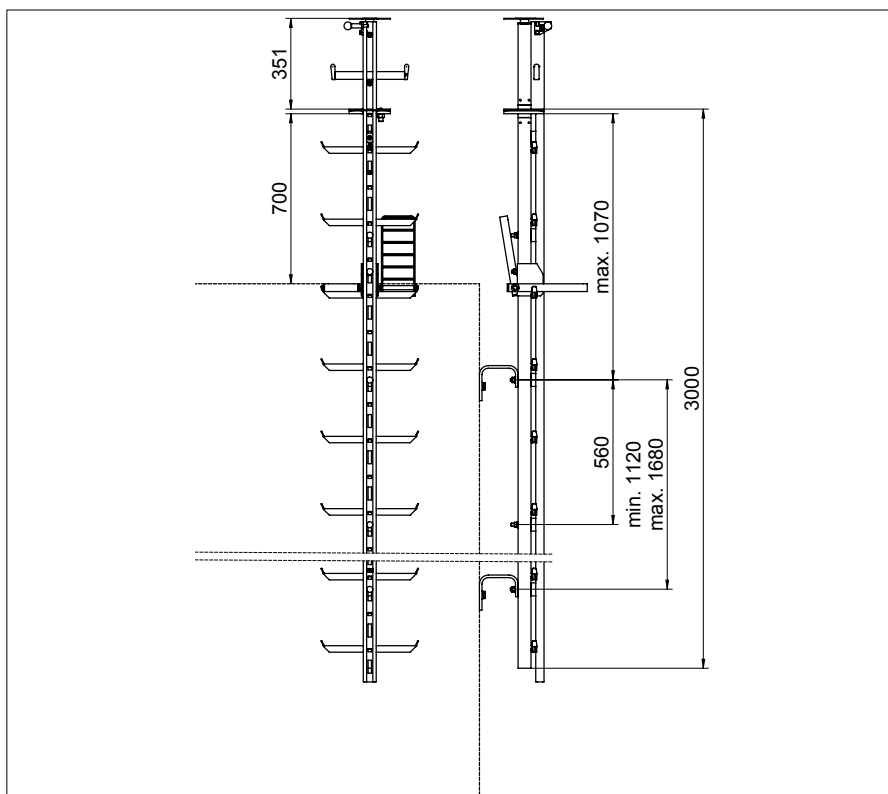


Note:

The reinforcement must

- extend down over two mounting brackets which must be mounted at a distance of at least 1,120 mm
- be bolted to the ladder every 560 mm

There must be no ladder joints in the area of the reinforcement!



Söll GlideLoc®

Steel/stainless steel ladders

Pivoting roof exit

Pivoting roof exit

- To be used in confined spaces
- Used for leaving or entering the ladder system safely onto or from the platform behind the ladder
- Hinge can be on left or right side
- Complete with all mounting elements
- To be fixed on the central spar of the ladder
- Top ladder section must be at least 1,400 mm long

Material: Steel, hot-dip galvanised

Weight: 37.0 kg/each

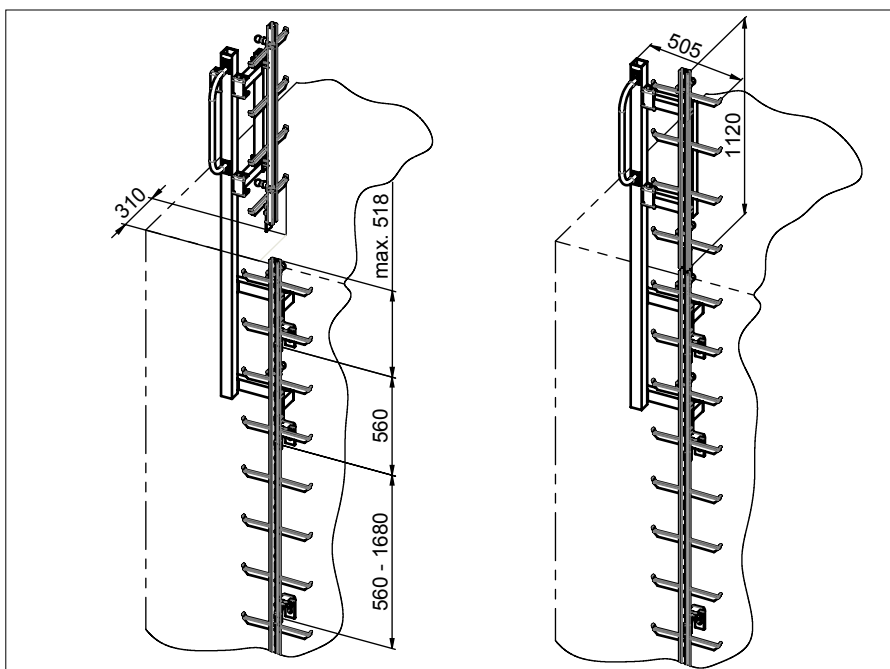
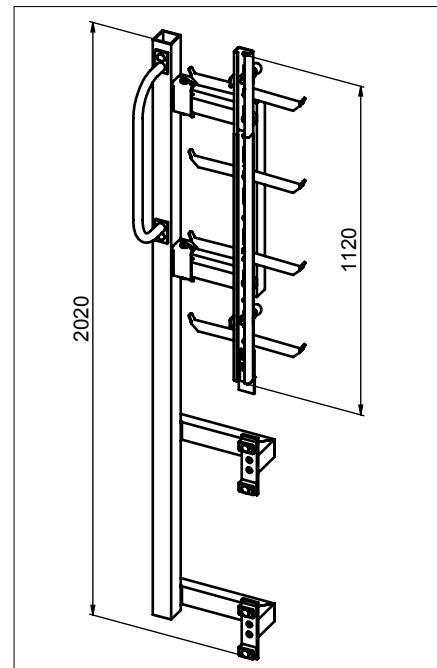
Hinge on left side

Part no. 23312

Hinge on right side

Part no. 26772

Stainless steel available upon request



Note:

The top three mounting brackets must be positioned on a ladder section!

Söll GlideLoc®

Steel/stainless steel ladders

Twisted changeover rail

Twisted changeover rail

- Guide rails with 90° bend allows transfer from vertical to horizontal direction
- **To be used only with Söll GlideLoc fall arresters included in the product range after March 2003**
- The guide rail is also turned 90° in the area of the bend
- Attachment is required for the horizontal rail area (not included in delivery)
- Comes with connector, fixing cross and end-stop

Material: Steel,
hot-dip galvanised

Weight: 11.0 kg/each

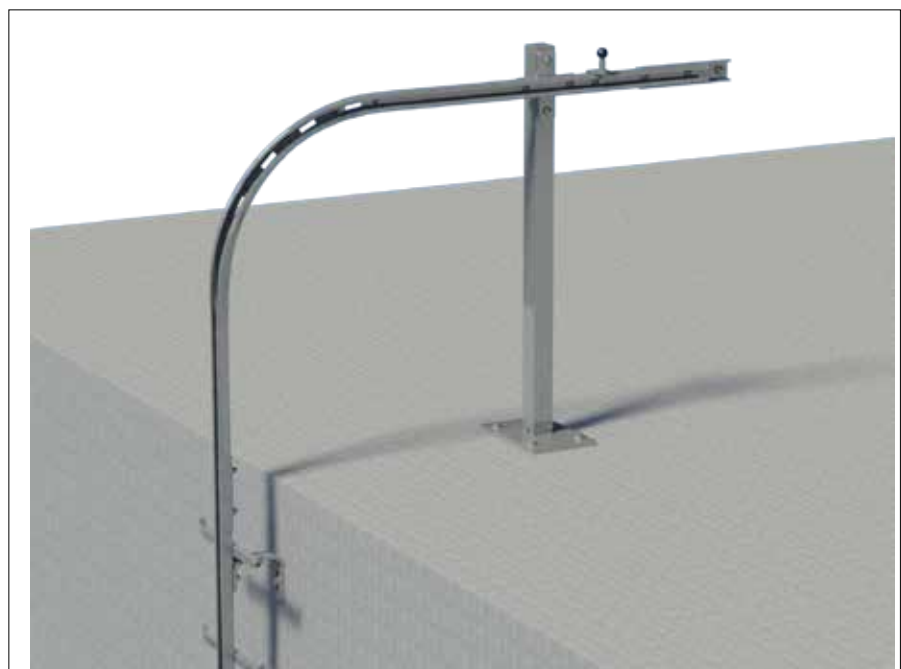
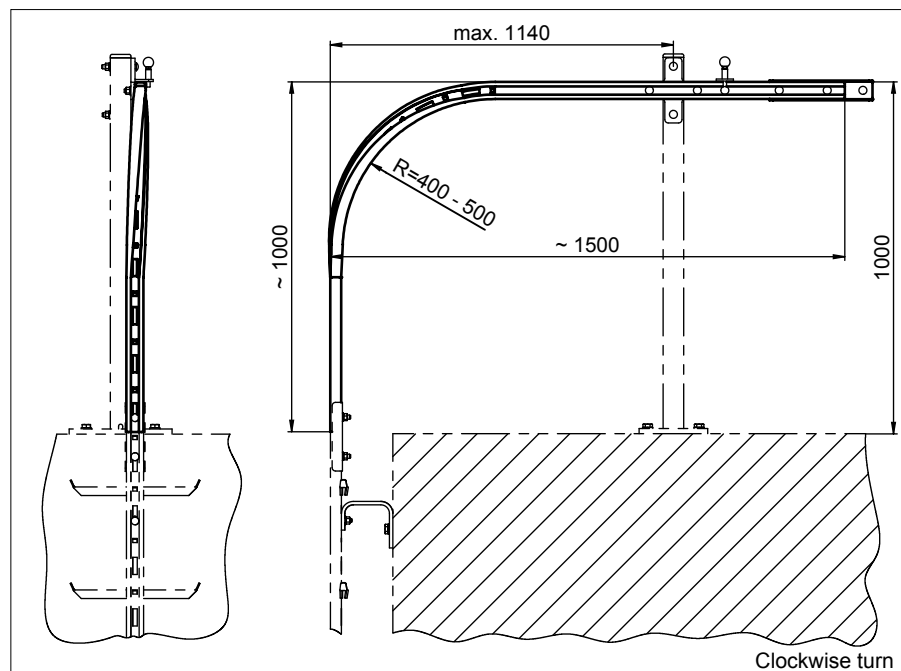
Clockwise turn

Part no. 16315

Anticlockwise turn

Must not be used in connection with a turntable!

Part no. 16292



Söll GlideLoc®

Steel/stainless steel ladders

Twisted changeover rail

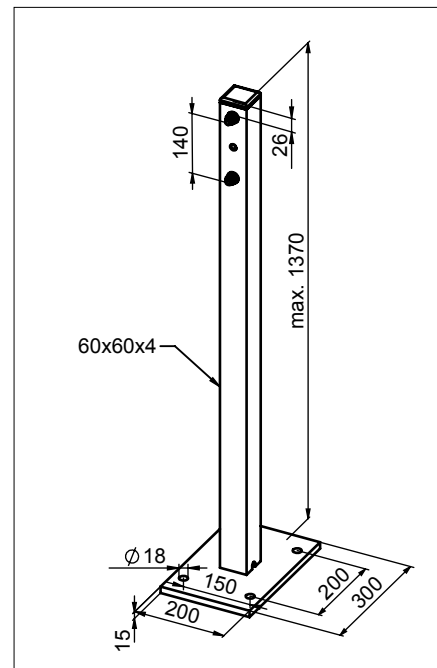
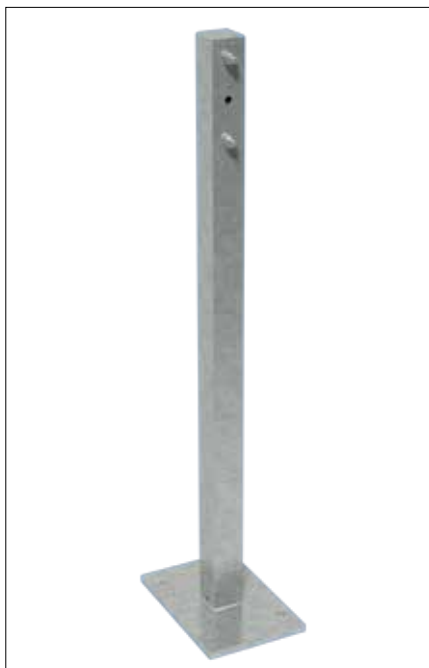
Support strut

- For lateral support of a twisted changeover rail
- Complete with all mounting elements
- Maximum height of support strut 1370 mm

Material: Hot-dip galvanised steel
 Weight: Depends on height
 Part no. **17509**

Explanation:

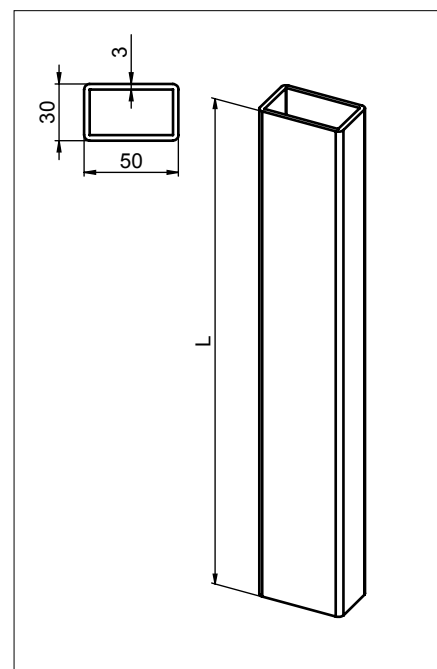
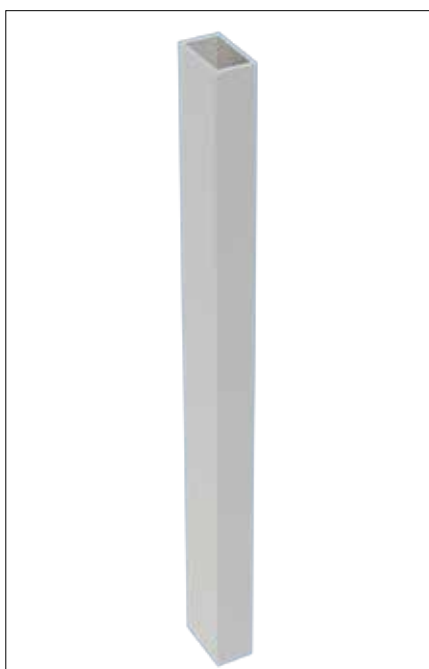
When used in combination with the changeover rail (part no. 16315/16292), the 1,096 mm support strut must be ordered.



Reinforcement

- Required when the distance between last mounting point and the top end of the ladder exceeds 380 mm
- Must be bolted onto the profile every 560 mm
- Must extend down over at least two mounting brackets
- Complete with all mounting elements
- Square tube 50 x 30 x 3 mm

Weight: Approx. 3.3 kg/m
 Material: Steel, hot-dip galvanised
 Part no. **HV-ST-<length in mm>**
 Material: Stainless steel, pickled
 Part no. **HV-A4-<length in mm>**



Söll GlideLoc®

Galvanised/stainless steel ladders

Roundabout

Roundabout

- For safe transfer between two different vertical climbways
- Projection of the climbways must be the same
- Mast diameter:
Min. 200 mm
Max. 1,000 mm
- Max. rotation angle 200°
- Comprising parallel rods and carriage for offsetting the fall arrester
- Comes with all fixing elements
- Please provide diagrams specifying the mast diameter, climbway offset angle, projection and ladder type when ordering
- Please indicate the direction of rotation

Material: Steel, hot-dip galvanised
Weight: Depends on size

For mast diameter 200 to 350 mm

Part no. 16352

For mast diameter 351 to 500 mm

Part no. 18700

For mast diameter 501 to 700 mm

Part no. 18701

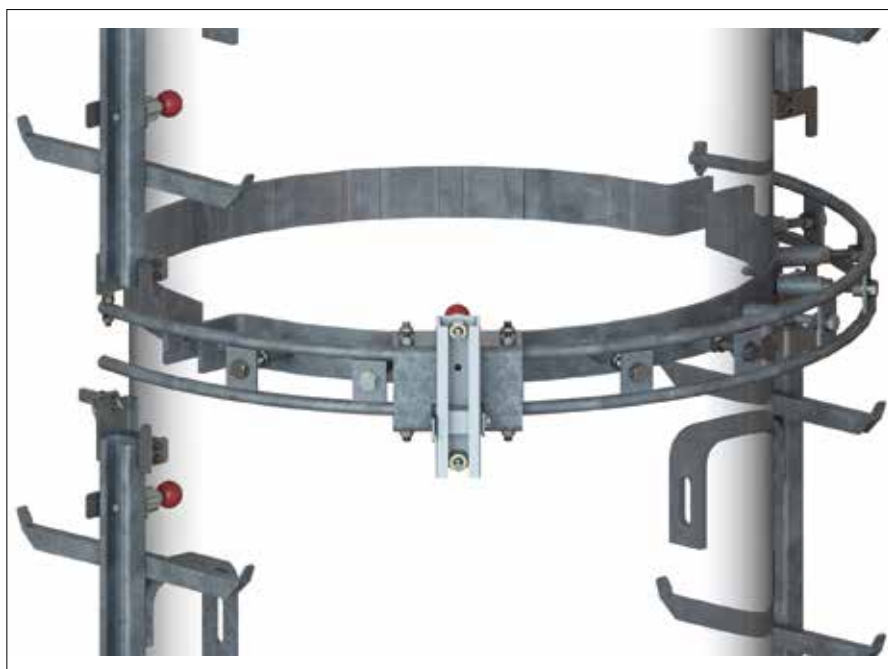
For mast diameter 701 to 1,000 mm

Part no. 18702

Installation example

Roundabout with transfer platform

Customised roundabouts available upon request



Söll GlideLoc®

Steel/stainless steel ladders

Accessories

Transfer platform

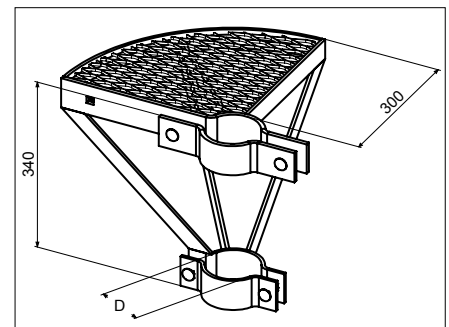
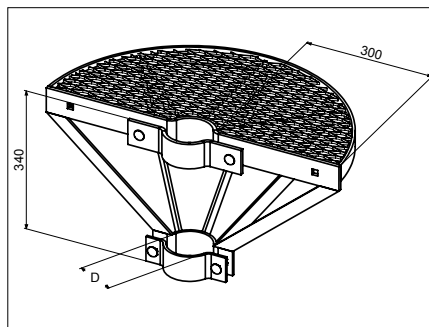
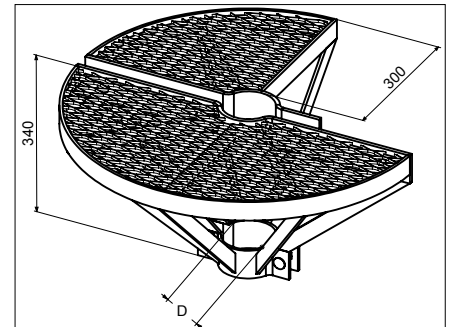
- Can be used individually or with roundabout
- Complete with all mounting elements
- Please provide diagrams specifying the mast diameter and position of the climbways when ordering. Indicate the size of the segment (90°, 180° or 270°)
- Mast diameter:
Min. 100 mm
Max. 1,000 mm

Material: Steel, hot-dip galvanised

Weight: Depends on size

Part no. **UP-<segment size>-<Ø in mm>**

Customised versions available upon request



Identification plate

- For 'Söll GlideLoc®' fall protection systems
- Cover plate assembled in factory
- Must be affixed to each access point
- Languages: D/E/F/ES

Material: Aluminium

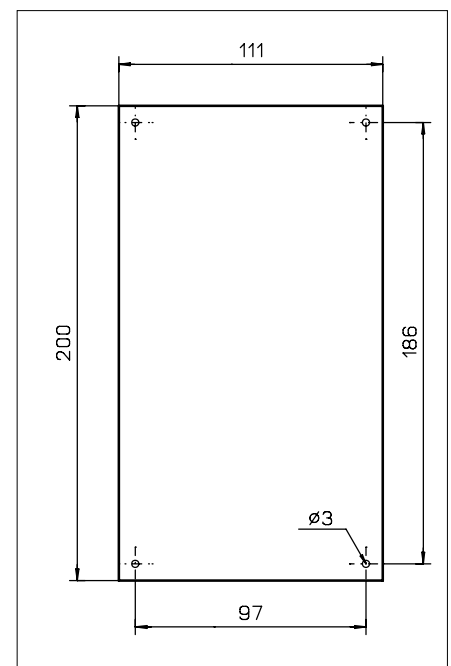
Weight: 0.1 kg/each

Not engraved

Part no. **19876**

Engraved for steel ladder
Part no. **20854**

Engraved for stainless steel ladder
Part no. **20855**



Söll GlideLoc®

Steel/stainless steel ladders

Accessories

Special bolt

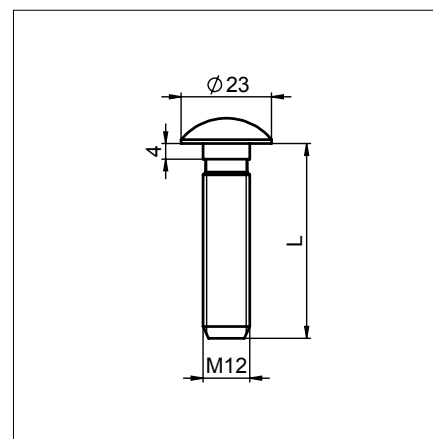
- Special bolt for fixing Söll ladders and guide rails
- Complete with connector
- Other dimensions available upon request

Material: Steel, hot-dip galvanised

M 12 x 30	Part no. 15667
Weight:	0.06 kg/each
M 12 x 35	Part no. 15850
Weight:	0.06 kg/each
M 12 x 40	Part no. 15851
Weight:	0.07 kg/each
M 12 x 50	Part no. 15852
Weight:	0.07 kg/each
M 12 x 60	Part no. 15853
Weight:	0.08 kg/each
M 12 x 70	Part no. 15854
Weight:	0.09 kg/each
M 12 x 80	Part no. 15855
Weight:	0.09 kg/each
M 12 x 90	Part no. 15856
Weight:	0.1 kg/each
M 12 x 100	Part no. 15857
Weight:	0.11 kg/each

Material: Stainless steel, pickled

M 12 x 30	Part no. 15669
Weight:	0.06 kg/each
M 12 x 35	Part no. 15858
Weight:	0.06 kg/each
M 12 x 40	Part no. 15859
Weight:	0.07 kg/each
M 12 x 50	Part no. 15860
Weight:	0.07 kg/each
M 12 x 60	Part no. 15861
Weight:	0.08 kg/each
M 12 x 70	Part no. 15862
Weight:	0.09 kg/each
M 12 x 80	Part no. 15863
Weight:	0.1 kg/each
M 12 x 90	Part no. 15864
Weight:	0.11 kg/each
M 12 x 100	Part no. 15865
Weight:	0.12 kg/each



Hot-dip galvanised steel version



Ice scraper

- For removal of frost and ice from Söll GlideLoc guide rails
- Can be used for all profiles
- Removes ice on the inside and outside of the running surfaces of the guide rails
- Anodised aluminium body
- Spring steel blades

Weight: 0.5 kg/each
Part no. 18072



Söll GlideLoc® Fall arresters

Söll Comfort fall arrester

- Complies with EN 353-1:2002; CNB/P/11.073
- With energy-absorbing element
- Self-closing swivel safety karabiner and three self-locking aluminium elements (left figure)
- For use with or without leaning back
- For vertical and horizontal use in all Söll GlideLoc fall protection systems
- Aluminium body, stainless steel safety catch

Weight: 1.1 kg/each
Part no. 22697

Söll Comfort fall arrester

- With aluminium screw safety karabiner (right figure)

Weight: 1.2 kg/each
Part no. 22690

Note:

Söll Comfort aluminium fall arresters must not be used in areas where explosions are possible.



Söll Comfort fall arrester² (left figure)

- Base body, safety catch and self-locking safety karabiner are manufactured from saltwater-proof stainless steel

Weight: 1.2 kg/each
Part no. 23331

Söll Universal II fall arrester (right figure)

- Complies with EN 353-1:2002; CNB/P/11.073
- Can be inserted and removed at any position
- Self-closing swivel safety karabiner and three self-locking aluminium elements
- For vertical and horizontal use in all Söll GlideLoc fall protection systems
- Fall arrester manufactured from stainless steel

Weight: 1.5 kg/each
Part no. 25805



Söll GlideLoc® Guide Rails

- Vertical fall protection system
- Certified according to EN 353-1:2002 and CNB/P/11.073



Subject to technical change. Please follow our maintenance and fitting instructions.

Söll GlideLoc[®] Guide rails

Guide rail

- For vertical application
- With connector
- Mounting distance: recommended 1,400 mm - max. 1,680 mm
- Max. section length 4,480 mm

Material: Anodised aluminium
Profile 52 x 33 mm

Weight: Approx. 1.6 kg/m

Part no. FS-SAL<rail length in mm>

Material: Hot-dip galvanised steel

Profile 50 x 32 mm

Weight: Approx. 3.7 kg/m

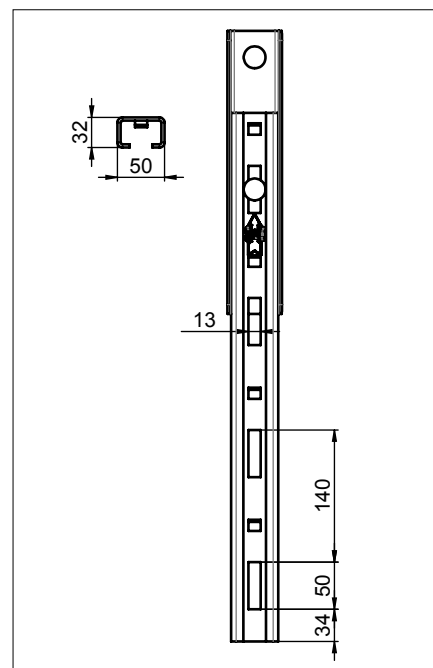
Part no. FS-SST<rail length in mm>

Material: Pickled stainless steel

Profile 50 x 32 mm

Weight: Approx. 3.7 kg/m

Part no. FS-SA4<rail length in mm>



Guide rail

- For vertical application
- With connector
- Mounting distance: recommended 1,400 mm - max. 1,680 mm
- Max. section length 4,480 mm

Material: Anodised aluminium
Profile 52 x 33 mm

Weight: Approx. 1.6 kg/m

Part no. FS-SAL<rail length in mm>

Material: Hot-dip galvanised steel

Profile 50 x 32 mm

Weight: Approx. 3.7 kg/m

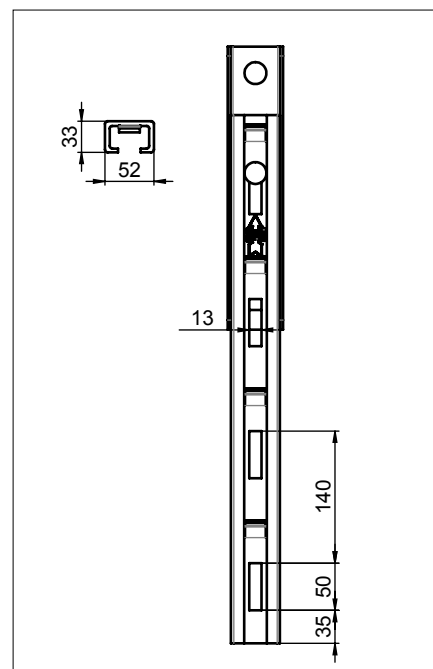
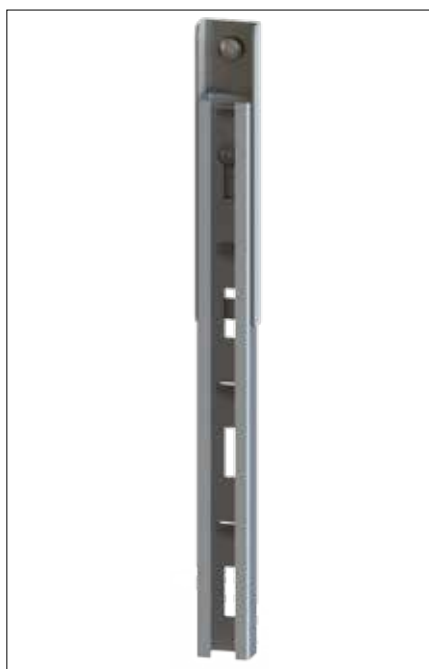
Part no. FS-SST<rail length in mm>

Material: Pickled stainless steel

Profile 50 x 32 mm

Weight: Approx. 3.7 kg/m

Part no. FS-SA4<rail length in mm>



Subject to technical change. Please follow our maintenance and fitting instructions.

Söll GlideLoc[®]

Guide rails

Connector

- To connect guide rails
- Complete with all mounting elements
- Included in the delivery of each guide rail

Material: Steel, hot-dip galvanised

Weight: 0.9 kg/each

Part no. 17372

Material: Stainless steel, pickled

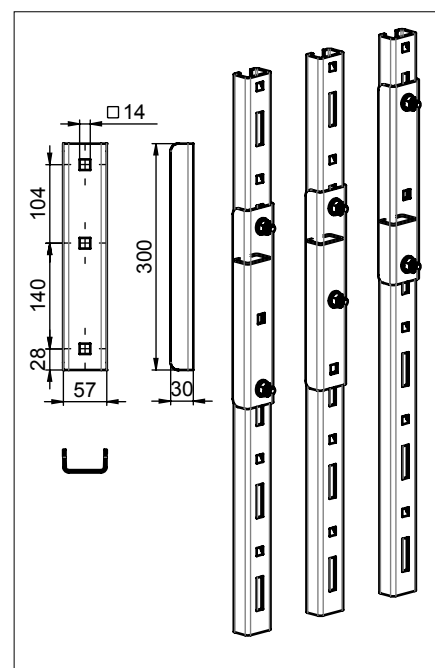
Weight: 0.9 kg/each

Part no. 17988

Material: Anodised aluminium

Weight: 0.9 kg/each

Part no. 17055



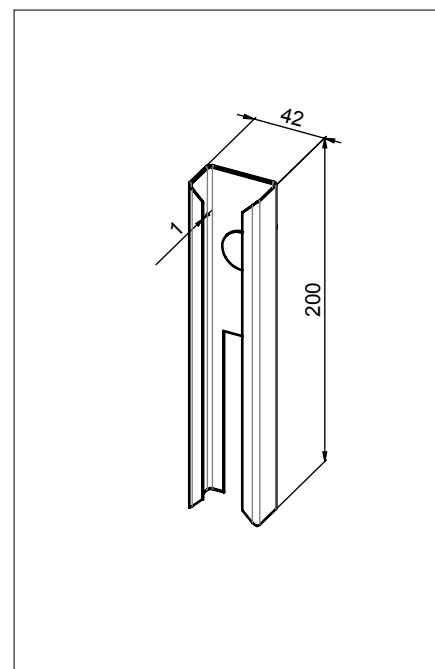
Connector, internal

- Only for aluminium guide rails
- To compensate for different lengths
- Gap width max. 50 mm

Material: Stainless steel, pickled

Weight: 0.2 kg/each

Part no. 25589



Subject to technical change. Please follow our maintenance and fitting instructions.

Bending steel/stainless steel and aluminium guide rails

Required information for planning:

Bending guide rail, hot-dip galvanised steel
 Bending guide rail, stainless steel, pickled
 Bending guide rail, anodised aluminium

Part no. FS-SST-<type>
 Part no. FS-SA4-<type>
 Part no. FS-SAL-<type>

Length of guide rail to be bent

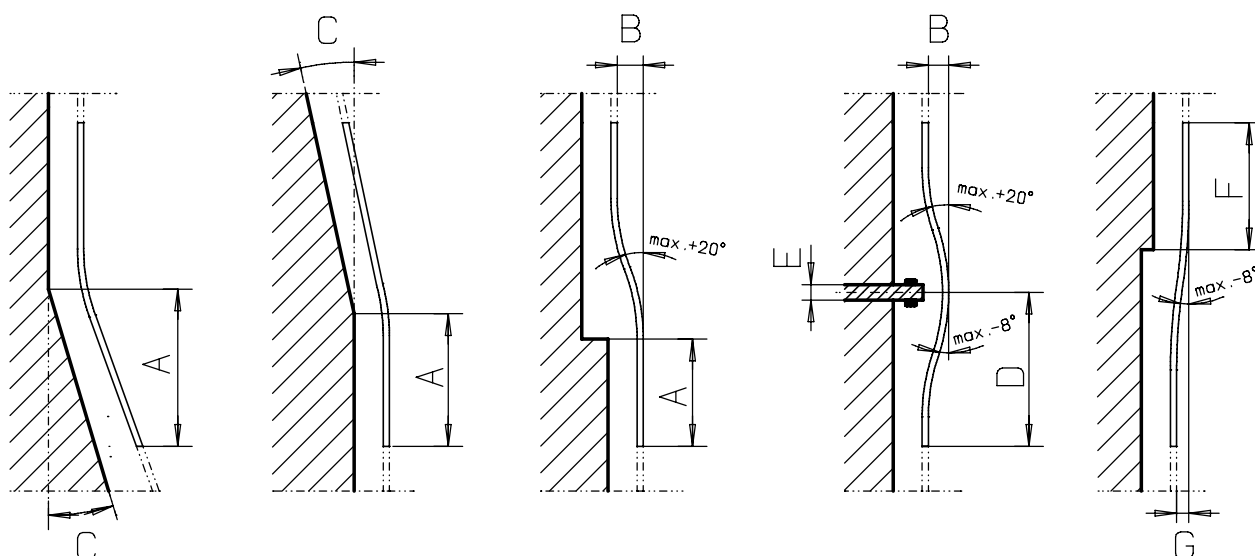
Type 1

Type 2

Type 3

Type 4

Type 5



A = Bottom edge of ladder to salient point of structure (mm)

B = Offset (mm)

C = Angle (max. 15°)

D = Bottom edge to centre of obstruction (mm)

E = Width of obstruction (mm)

F = Upper edge of ladder to offset (mm)

G = Offset (max. 260 mm)

NB:

The smallest bending radius for steel/stainless steel guide rails is 1,000 mm.

The smallest bending radius for aluminium guide rails is 2,250 mm.

The extent of the bending depends on the bending radius and angle (type 1 + 2) or offset (type 3 - 5).

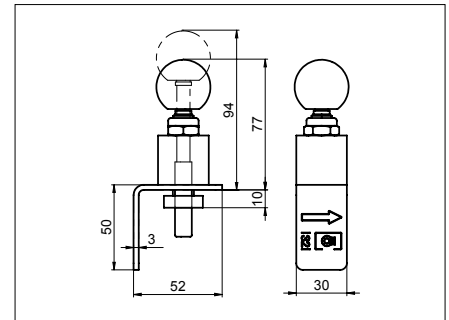
The surcharge for bending is calculated by bending type and offset.

Söll GlideLoc[®] guide rails End-stops

End-stop, top/bottom

- Prevents the fall arrester from either being inserted incorrectly or accidentally slipping out of the guide rail
- Complete with all mounting elements

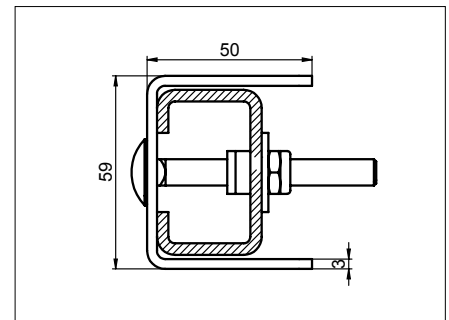
Material: Stainless steel, pickled
Weight: 0.3 kg/each
Part no. **26027**



Rigid end-stop

- Prevents the fall arrester from being taken out of the guide rail
- Complete with all mounting elements

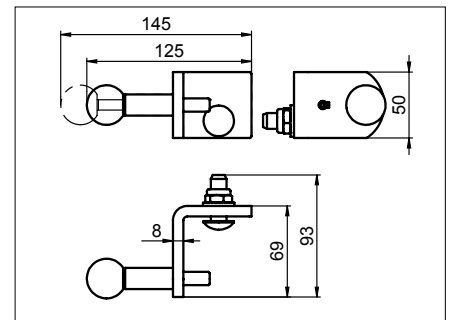
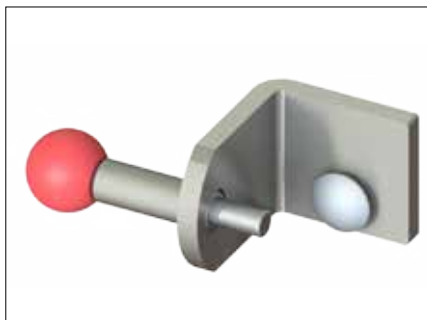
Material: Stainless steel, pickled
Weight: 0.2 kg/each
Part no. **11634**



End-stop, top/bottom side

- Prevents the fall arrester from either being inserted incorrectly or accidentally slipping out of the guide rail
- Complete with all mounting elements
- Used for:
 - Ladder projection < 150 mm
 - Mounting with reinforcement suitable for top and bottom use

Material: Stainless steel, pickled
Weight: 0.2 kg/each
Part no. **27136**



Söll GlideLoc[®] guide rails

Mounting elements

Clamp, straight

- For retrofitting guide rails on ladders with rungs made of angle steel, U or hollow profiles
- Complete with all mounting elements
- Support structure and/or wall mounting must be checked to ensure sufficient strength
- Suitable for all rung distances
- Please indicate dimension 'A' when ordering

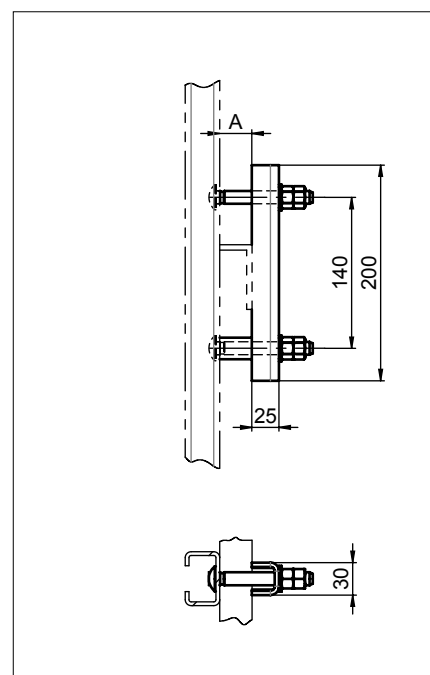
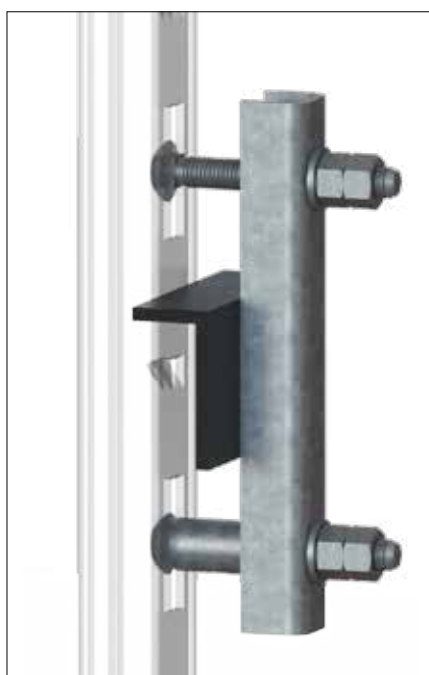
For angle profiles

Material: Steel, hot-dip galvanised
Weight: Depends on size
Part no. **26791**

For square/U-rungs

Material: Steel, hot-dip galvanised
Weight: Depends on size
Part no. **26761**

Stainless steel available upon request



Shim

- To compensate for different heights of individual rungs
- Clamping rail screw length must be adapted as necessary

Material: Steel, hot-dip galvanised

d = 5 mm
Weight: 0.4 kg/each
Part no. **18861**

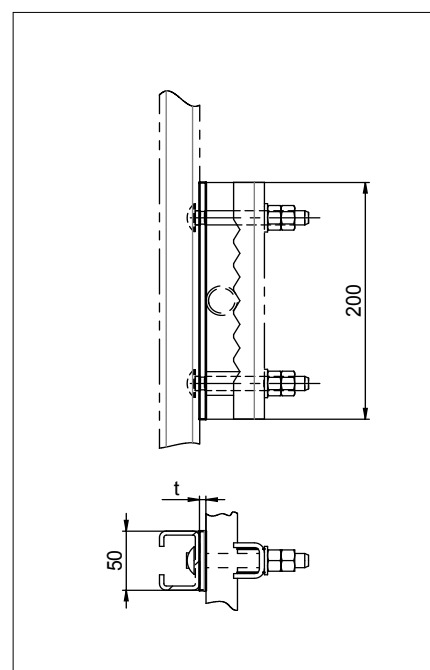
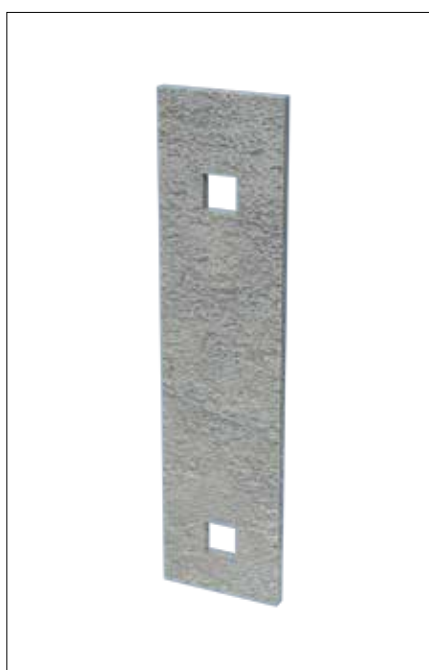
d = 3 mm
Weight: 0.2 kg/each
Part no. **18860**

Material: Stainless steel, pickled

d = 5 mm
Weight: 0.4 kg/each
Part no. **18863**

d = 3 mm
Weight: 0.2 kg/each
Part no. **18862**

d = 2 mm
Weight: 0.2 kg/each
Part no. **18859**



Subject to technical change. Please follow our maintenance and fitting instructions.

Söll GlideLoc® guide rails

Mounting elements

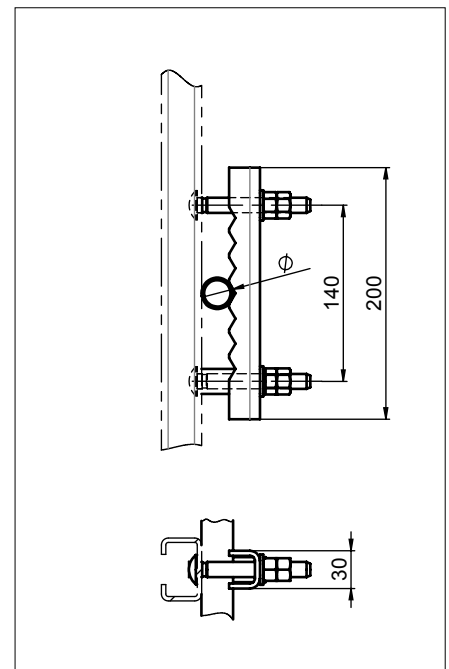
Clamp

- For retrofitting on ladders or step irons
- Complete with all mounting elements
- Support structure and/or wall mounting must be checked to ensure sufficient strength
- Suitable for all rung distances

Material: See table

Weight: Depends on size

Part no. See table



Steel, hot-dip galvanised	Part no.	Stainless steel 1.4571	Part no.
Screw length M12 x 80 for rung diameter - 25 mm	10903	Screw length M12 x 70 for rung diameter - 25 mm	14809
Screw length M12 x 90 for rung diameter 26 - 35 mm	14804	Screw length M12 x 80 for rung diameter 26 - 35 mm	14813
Screw length M12 x 100 for rung diameter 36 - 45 mm	14805	Screw length M12 x 90 for rung diameter 36 - 45 mm	14814
Screw length M12 x 110 for rung diameter 46 - 55 mm	14806	Screw length M12 x 100 for rung diameter 46 - 55 mm	14815
Screw length M12 x 120 for rung diameter 56 - 65 mm	14807	Screw length M12 x 120 for rung diameter 56 - 70 mm	14816

Subject to technical change. Please follow our maintenance and fitting instructions.

Söll GlideLoc[®] guide rails

Mounting elements

Bracket

- For lateral mounting of guide rails on step irons
- Only for step irons with a diameter of 20 to 25 mm
- Complete with all mounting elements

Material: Steel, hot-dip galvanised

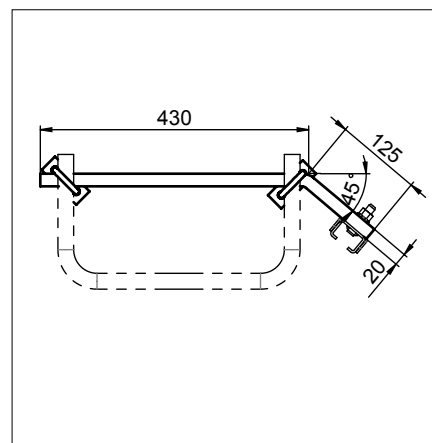
Weight: 1.7 kg/each

Part no. 11319

Material: Stainless steel, pickled

Weight: 1.7 kg/each

Part no. 17989



Clamp

- For mounting on existing safety ladders with side rails
- Complete with all mounting elements
- Standard:
Dimension 'W' = max. 60 mm
Dimension 'H' = max. 15 mm

Material: Steel, hot-dip galvanised

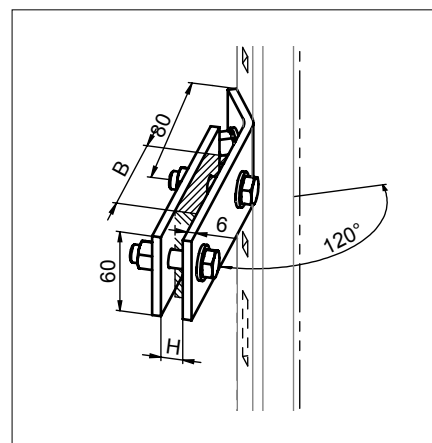
Weight: 1.0 kg/each

Part no. 11382

Material: Stainless steel, pickled

Weight: 1.0 kg/each

Part no. 16847



• Customisation:

When ordering please specify dimension 'H' and 'W'

Material: Hot-dip galvanised steel

Weight: Depends on size

Part no. 19091

Material: Stainless steel, pickled

Weight: Depends on size

Part no. 21284

Söll GlideLoc[®] guide rails

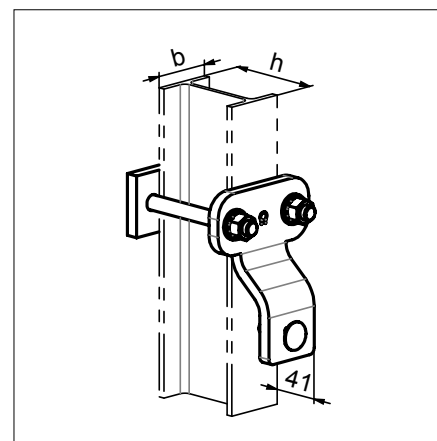
Mounting elements

Clamp

- For mounting on I/U-supports
- When ordering please specify dimensions 'h' and 'b'
- Only for use in conjunction with end-stop, side (part no. 27136)

Material: Steel, hot-dip galvanised
 Weight: Depends on size
Part no. 23961

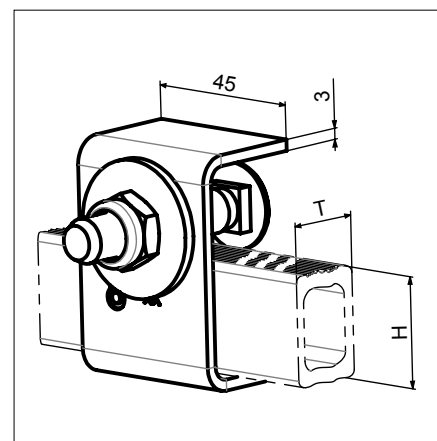
Material: Stainless steel, pickled
 Weight: Depends on size
Part no. 26665



Rung bracket

- For mounting on aluminium ladders
- Complete with all mounting elements
- For rung distance 280 mm only

Material: Pickled stainless steel
 Weight: Approx. 0.2 kg/each
Part no. See table



Rung dimensions 'D' x 'H' in mm	Part no.
20x20	26944
21x21	26826
22x22	Upon request
23x23	Upon request
24x24	Upon request
25x25	27003
25x34	26189
26x26	Upon request
27x27	Upon request
28x28	26318
29x29	27367
29x27	25588
30x30	26067
31x31	25790

Subject to technical change. Please follow our maintenance and fitting instructions.

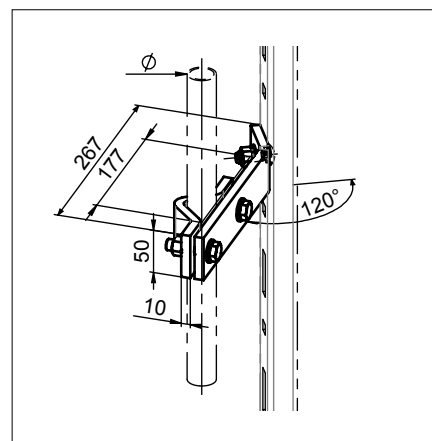
Söll GlideLoc® guide rails

Mounting elements

Clamp

- For mounting on side rails with diameter 20 - 70 mm
- Complete with all mounting elements
- Please indicate tube diameter when ordering

Material: Steel, hot-dip galvanised
Weight: 1.9 kg/each
Part no. 18363

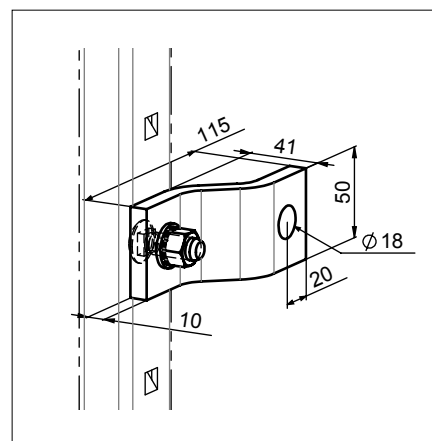


Bracket

- Complete with all mounting elements
- Support structure must be checked to ensure sufficient strength

Material: Steel, hot-dip galvanised
Weight: 0.5 kg/each
Part no. 11102

Material: Stainless steel, pickled
Weight: 0.5 kg/each
Part no. 16838

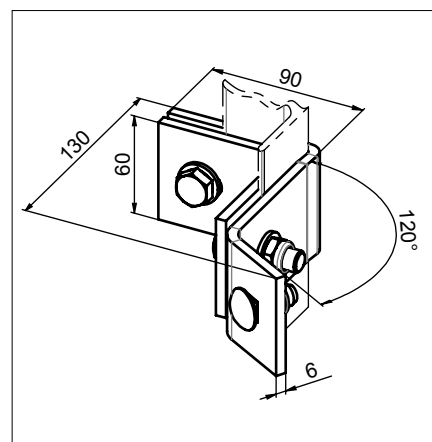


Bracket

- For mounting on side rails from angle profile up to 50 x 50 mm
- Complete with all mounting elements

Material: Steel, hot-dip galvanised
Weight: 1.1 kg/each
Part no. 17228

Other sizes available upon request



Söll GlideLoc[®] guide rails Footrests

Footrest

- Pivotal
- For mounting on step irons with a diameter of max. 20 mm
- Complete with all mounting elements

Material: Steel, hot-dip galvanised

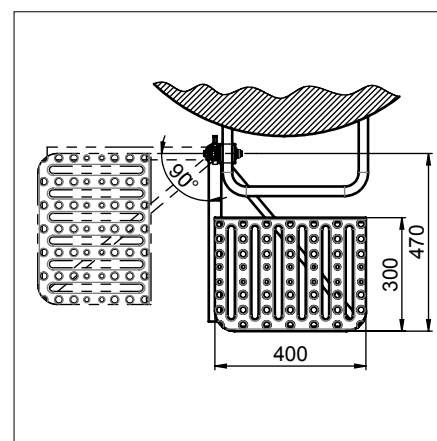
Weight: 14.5 kg/each

Part no. 16124

Material: Stainless steel, pickled

Weight: 14.5 kg/each

Part no. 18008



Footrest

- Pivotal
- For mounting on side rails with a width of max. 50 mm
- Complete with all mounting elements

Weight: 17 kg/each

Hinge on left side

Material: Steel, hot-dip galvanised

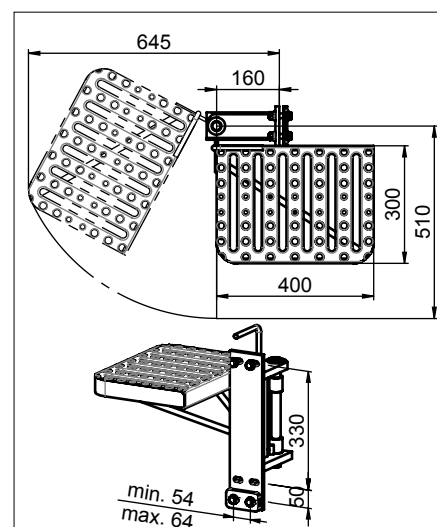
Part no. 21516

Hinge on right side

Material: Steel, hot-dip galvanised

Part no. 21520

Stainless steel available upon request



Folding footrest

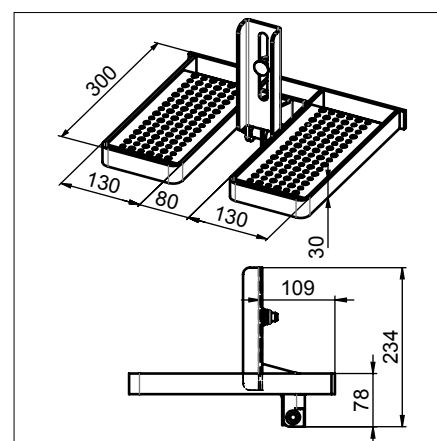
- Complies with DIN 18799
- Complete with all mounting elements
- Clearance of at least 220 mm between rungs
- Rung diameter: max. 30 mm

Material: Steel, hot-dip galvanised

Weight: 4.4 kg/each

Part no. 23724

Stainless steel available upon request



Footrests for climbways with reinforcement available upon request

Subject to technical change. Please follow our maintenance and fitting instructions.

Söll GlideLoc[®] guide rails

Exit section

Exit section

- To be installed within the climbway
- To remove or insert the fall arrester
- Rung distance:
Min. 250 mm
Max. 320 mm
- Rung diameter max. 24 mm
- Comes with single-use mounting tool

Weight: 3.7 kg/each

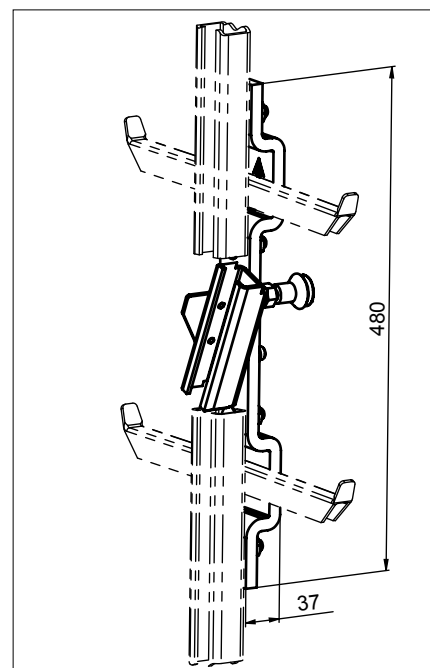
Material: Steel, hot-dip galvanised

Part no. 11317

Material: Stainless steel, pickled

Part no. 16978

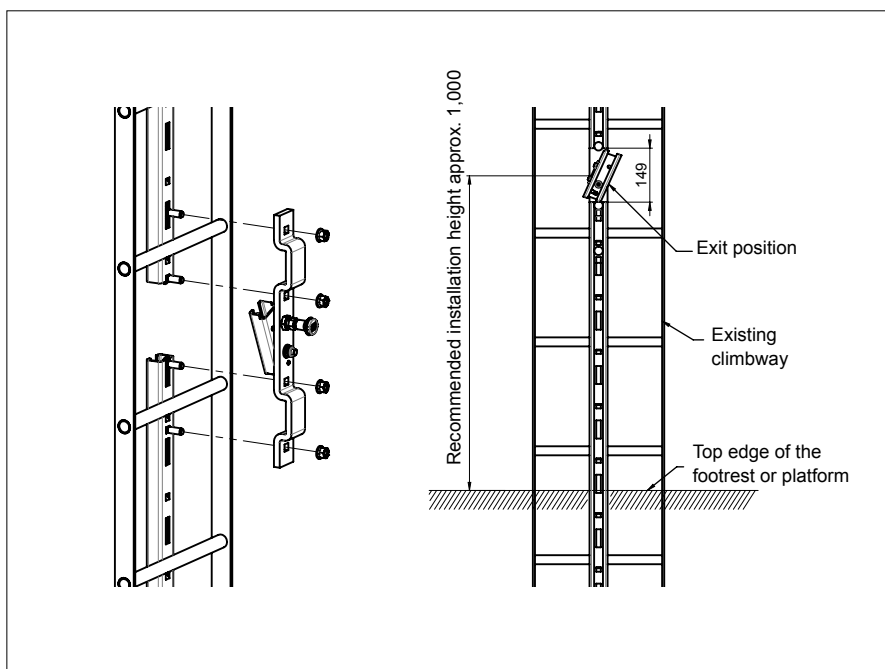
Special sizes available upon request
(please include diagrams with ladder cross-section)



Possible installation heights in a ladder section of 4,480 mm:

Height from bottom ladder section	
560 mm	Between 2nd and 3rd rung
840 mm	Between 3rd and 4th rung
1,120 mm	Between 4th and 5th rung
1,400 mm	Between 5th and 6th rung
1,680 mm	Between 6th and 7th rung
1,960 mm	Between 7th and 8th rung
2,240 mm	Between 8th and 9th rung
2,520 mm	Between 9th and 10th rung
2,800 mm	Between 10th and 11th rung
3,080 mm	Between 11th and 12th rung
3,360 mm	Between 12th and 13th rung
3,640 mm	Between 13th and 14th rung
3,920 mm	Between 14th and 15th rung

The recommended installation height is approx. 1,000 mm above the top edge of the footrest



Subject to technical change. Please follow our maintenance and fitting instructions.

Söll GlideLoc[®] guide rails Turntable

Turntable

- For safe transfer from vertical to horizontal and vice versa
- With aluminium profile for supporting the fall arrester
- Please specify the guide rail profile of the horizontal and vertical system

Material: Stainless steel,
pickled

Weight: 4.2 kg/each

Bending radius of horizontal guide rail > 1,000 mm

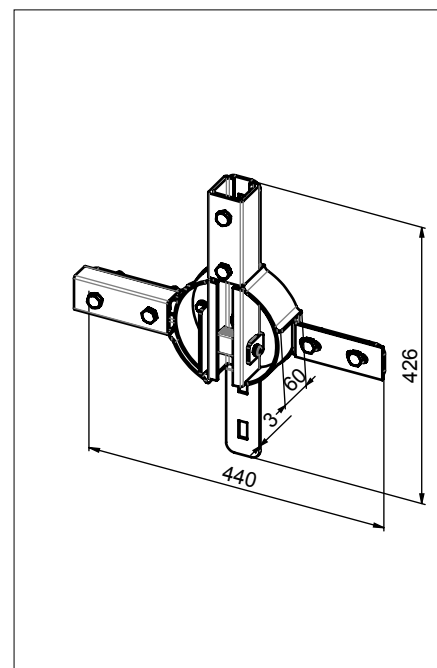
Part no. 11607

Bending radius of horizontal guide rail < 1,000 mm

Part no. 20349

Factory assembly on guide rail

Part no. 16884



Ho-Ver turntable

- For safe transfer from vertical to horizontal and vice versa
- The direction of travel can only be changed to the left or to the right
- Available also with release option in the pivoting part
- The combination of two or more turntables is only permitted if checked by the manufacturer and specifically approved in writing

Material: Stainless steel,
pickled

Weight: 3.7 kg/each

Part no. 22322

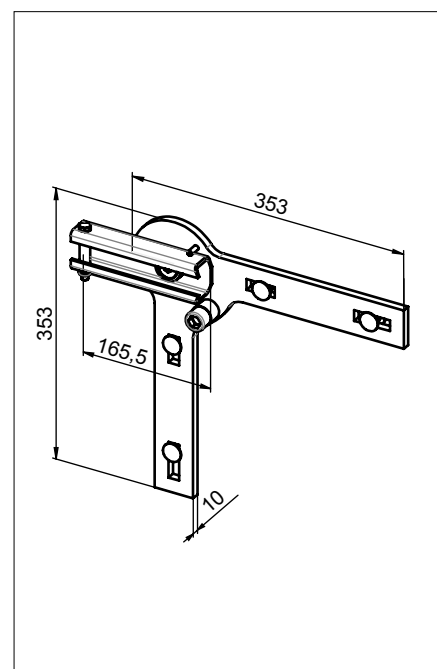
With release option

Material: Stainless steel,
pickled

Weight: 3.7 kg/each

Part no. 22495

(not shown)



Subject to technical change. Please follow our maintenance and fitting instructions.

Söll GlideLoc[®] guide rails

Accessories

Mounting bracket with adjustable projection

- Projection: 120 mm to 160 mm
- To be used for mounting turntable only
- Screws for installation on the turntable not included

Material: Steel, hot-dip galvanised

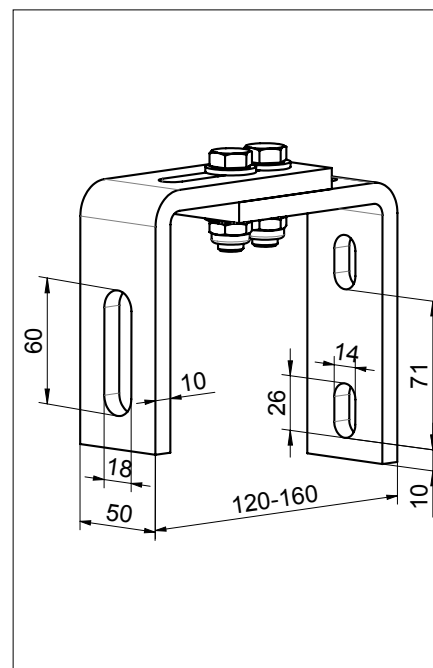
Weight: 1.6 kg/each

Part no. 10867

Material: Stainless steel, pickled

Weight: 1.6 kg/each

Part no. 11591



Mounting bracket with adjustable projection

- Projection: 160 mm up to 200 mm
- To be used for mounting turntable only
- Screws for installation on the turntable not included

Material: Steel, hot-dip galvanised

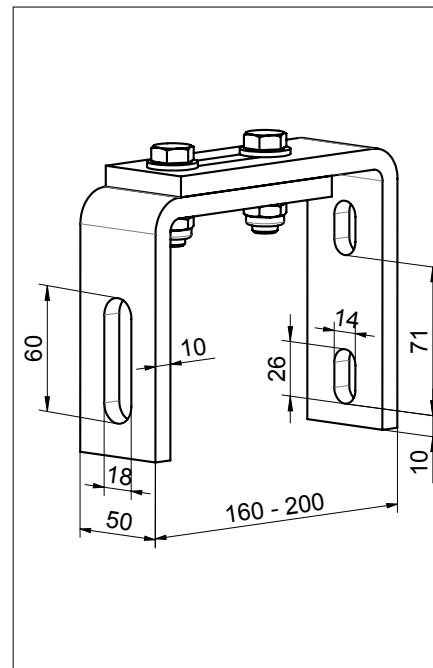
Weight: 1.8 kg/each

Part no. 10869

Material: Stainless steel, pickled

Weight: 1.8 kg/each

Part no. 15250



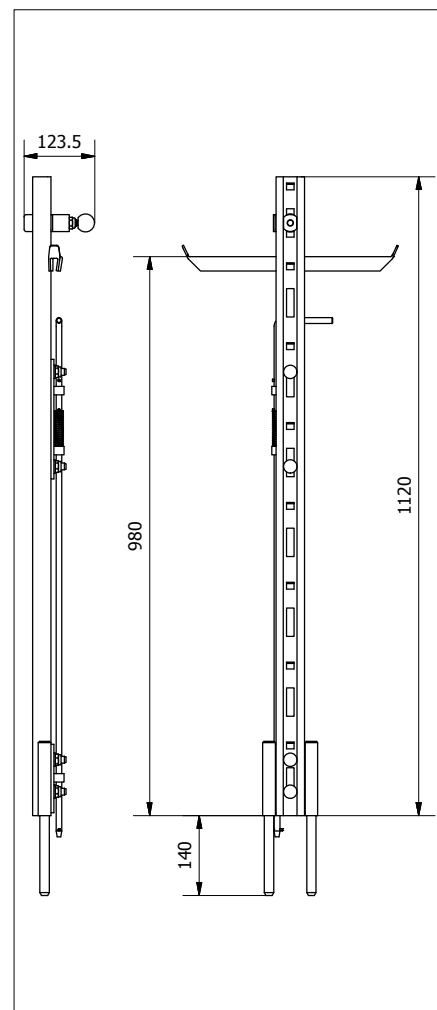
Subject to technical change. Please follow our maintenance and fitting instructions.

Söll GlideLoc[®] guide rails Manhole entry device

Manhole entry device

- For safe entry into manholes
- Only use together with lower part for manhole entry device
- This device can be moved from one manhole ladder to another and locked.

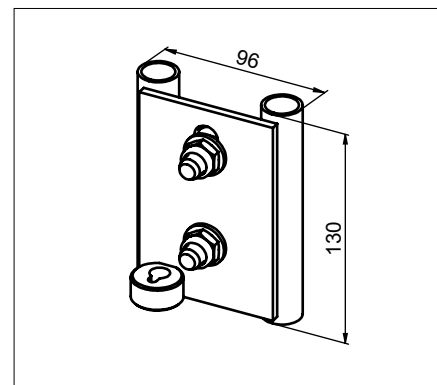
Material: Stainless steel, pickled
Weight: 7.0 kg/each
Part no. 17065



Lower part for manhole entry device

- Fixed to the rear of the fixed guide rail

Material: Stainless steel, pickled
Weight: 0.8 kg/each
Part no. 16191



Subject to technical change. Please follow our maintenance and fitting instructions.

Söll GlideLoc® guide rails

Accessories

Reinforcement

- Required when the distance between last mounting point and the top end of the guide rail exceeds 380 mm
- Must be bolted onto the profile every 560 mm
- Must extend down over at least two mounting brackets
- Complete with all mounting elements

For guide rails made of steel, hot-dip galvanised steel/stainless steel, pickled:

Square tube 50 x 30 x 3 mm

Weight: Approx. 3.3 kg/m

Material: Steel,
hot-dip galvanised

Part no. HV-ST-<length in mm>

Material: Stainless steel,
pickled

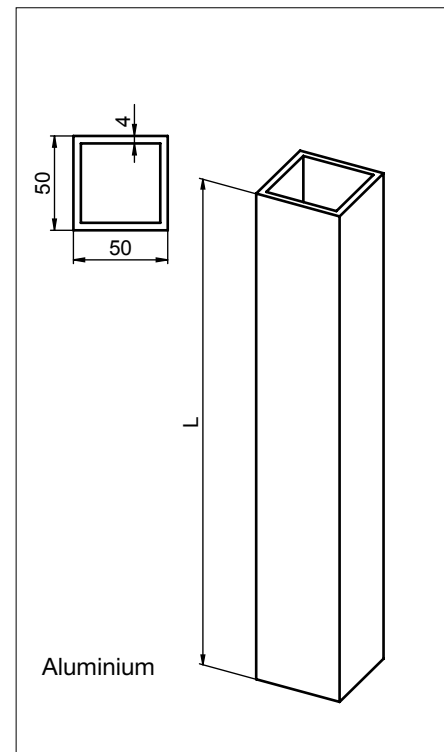
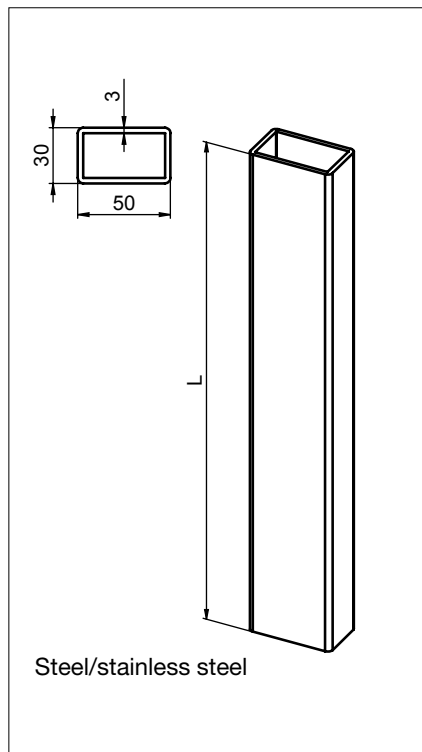
Part no. HV-A4-<length in mm>

For guide rails made of anodised aluminium:

Rectangular tube 50 x 50 x 4 mm

Weight: Approx. 1.9 kg/m

Material: Anodised aluminium
Part no. HV-AL-<length in mm>



Identification plate

- For fall protection device - 'Söll GlideLoc®' fall protection systems
- Cover plate assembled in factory
- Must be affixed to each access point
- Languages: D/E/F/ES

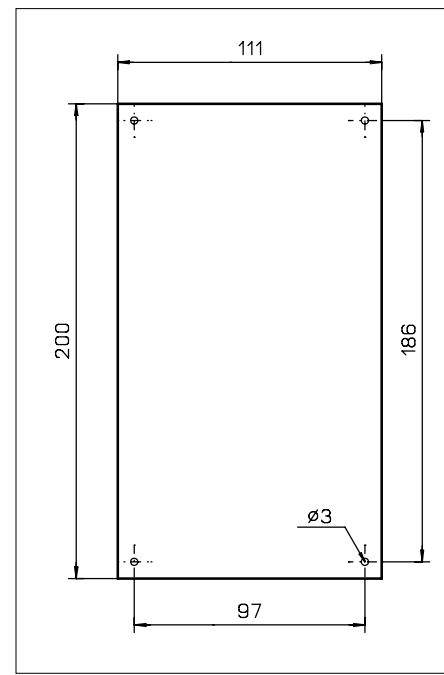
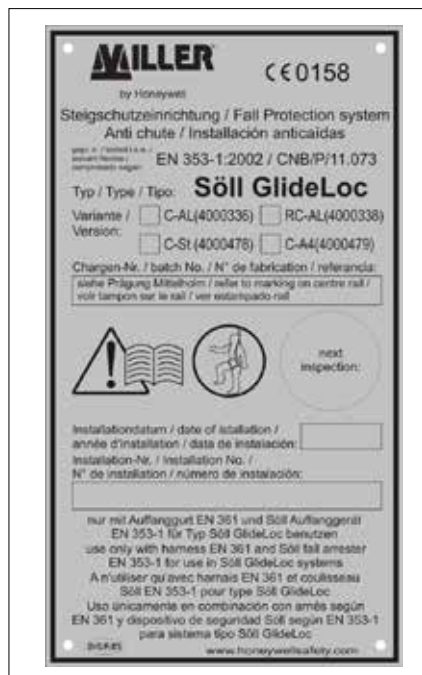
Material: Aluminium

Weight: 0.06 kg/each

Part no. 19876 not engraved

Engraved:

Part no.	Guide rail
20854	Steel, hot-dip galvanised
20855	Stainless steel, pickled
20850	Anodised aluminium



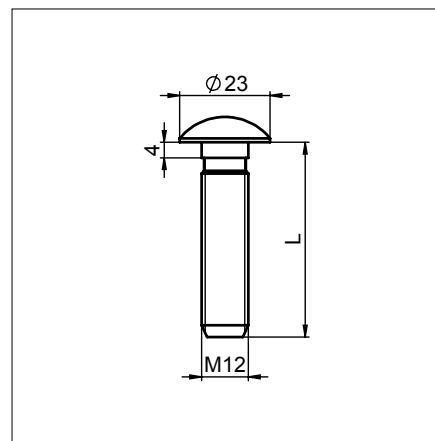
Subject to technical change. Please follow our maintenance and fitting instructions.

Söll GlideLoc® guide rails Accessories

Special bolt

- Special bolt for fixing Söll GlideLoc ladders and guide rails
- Complete with connector
- Other dimensions available upon request

<u>Material:</u>	Steel, hot-dip galvanised	<u>Material:</u>	Stainless steel, pickled
M 12 x 30	Part no. 15667	M 12 x 30	Part no. 15669
Weight:	0.06 kg/each	Weight:	0.06 kg/each
M 12 x 35	Part no. 15850	M 12 x 35	Part no. 15858
Weight:	0.06 kg/each	Weight:	0.06 kg/each
M 12 x 40	Part no. 15851	M 12 x 40	Part no. 15859
Weight:	0.07 kg/each	Weight:	0.07 kg/each
M 12 x 50	Part no. 15852	M 12 x 50	Part no. 15860
Weight:	0.07 kg/each	Weight:	0.07 kg/each
M 12 x 60	Part no. 15853	M 12 x 60	Part no. 15861
Weight:	0.08 kg/each	Weight:	0.08 kg/each
M 12 x 70	Part no. 15854	M 12 x 70	Part no. 15862
Weight:	0.09 kg/each	Weight:	0.09 kg/each
M 12 x 80	Part no. 15855	M 12 x 80	Part no. 15863
Weight:	0.09 kg/each	Weight:	0.1 kg/each
M 12 x 90	Part no. 15856	M 12 x 90	Part no. 15864
Weight:	0.1 kg/each	Weight:	0.11 kg/each
M 12 x 100	Part no. 15857	M 12 x 100	Part no. 15865
Weight:	0.11 kg/each	Weight:	0.12 kg/each



Ice scraper

- For removal of frost and ice from Söll GlideLoc guide rails
- Can be used for all profiles
- Removes ice on the inside and outside of the running surfaces of the guide rails
- Anodised aluminium body
- Spring steel blades

Weight: 0.5 kg/each
Part no. 18072



Subject to technical change. Please follow our maintenance and fitting instructions.

Söll GlideLoc® Fall arresters

Söll Comfort fall arrester

- Complies with EN 353-1:2002; CNB/P/11.073
- With energy-absorbing element
- Self-closing swivel safety karabiner and three self-locking aluminium elements (left figure)
- For use with or without leaning back
- For vertical and horizontal use in all Söll GlideLoc fall protection systems
- Aluminium body, stainless steel safety catch

Weight: 1.1 kg/each
Part no. **22697**

Söll Comfort fall arrester

- With aluminium screw safety karabiner (right figure)

Weight: 1.2 kg/each
Part no. **22690**

Note:

Söll Comfort aluminium fall arresters must not be used in areas where explosions are possible.



Söll Comfort fall arrester² (left figure)

- Base body, safety catch and self-locking safety karabiner are manufactured from saltwater-proof stainless steel

Weight: 1.2 kg/each
Part no. **23331**

Söll Universal II fall arrester (right figure)

- Complies with EN 353-1:2002; CNB/P/11.073
- Can be inserted and removed at any position
- Self-closing swivel safety karabiner and three self-locking aluminium elements
- For vertical and horizontal use in all Söll GlideLoc fall protection systems
- Fall arrester manufactured from stainless steel

Weight: 1.5 kg/each
Part no. **25805**



Subject to technical change. Please follow our maintenance and fitting instructions.

Söll GuideLoc

- Horizontal anchor device
- Certified according to EN 795:2012 and CEN/TS 16415:2013



Subject to technical change. Please follow our maintenance and fitting instructions.

Söll GuideLoc

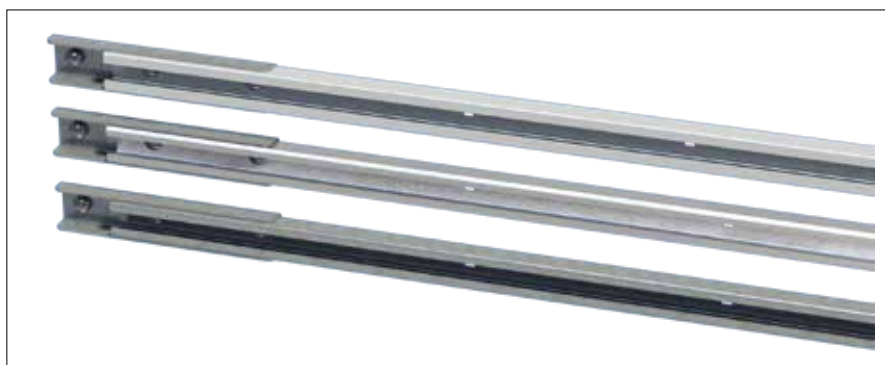
Guide rails

Guide rail

- For horizontal application
- With connector
- Mounting distance: See table
- Manufacturing length max. 4,000 mm
- Approved for simultaneous use by three people

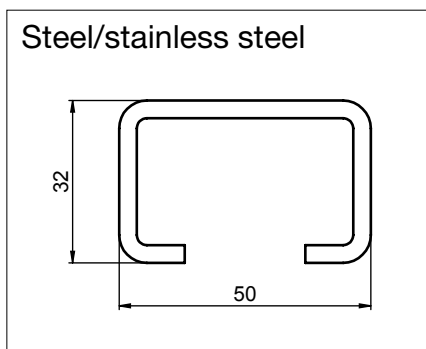
Profile 52 x 33 mm

Material: Anodised aluminium
 Weight: 2.4 kg/m
Part no. FS-WAL-<length in mm>

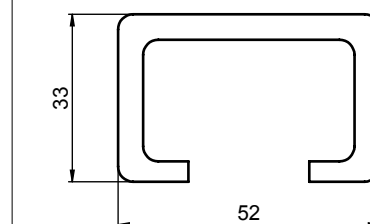


Profile 50 x 32 mm

Material: Steel, hot-dip galvanised
 Weight: 4.4 kg/m
Part no. FS-WST-<length in mm>



Aluminium



Profile 50 x 32 mm

Material: Stainless steel, pickled
 Weight: 3.5 kg/m
Part no. FS-WA4-<length in mm>

Surcharge for factory manufacture of cut-outs at a distance of 1,000 mm

Part no. 15820

Material	Mounting on	Max. mounting distance
Anodised aluminium	Ceiling	800 mm
	Floor, wall	500 mm
Steel, hot-dip galvanised	Ceiling, floor, wall	1,000 mm
Stainless steel, pickled		

Bending surcharge

- For bending a horizontal guide rail as per site diagram
- Manufacturing length max. 4,000 mm

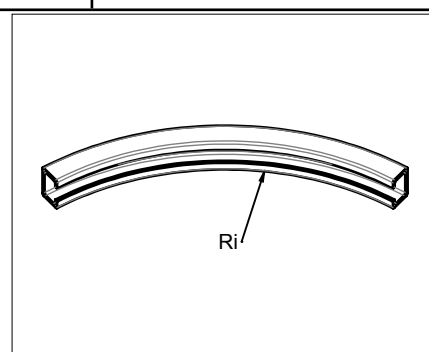
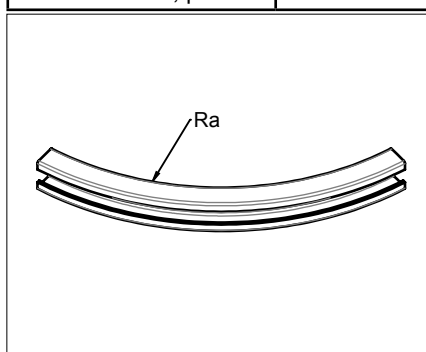
Material: Anodised aluminium
Part no. 16586

Material: Steel, hot-dip galvanised

Part no. 16588

Material: Stainless steel, pickled

Part no. 16587



Smallest bending radii	Outer radius Ra	Inner radius Ri
When using <i>without</i> turntable	570 mm	620 mm
When using <i>with</i> turntable	800 mm	850 mm

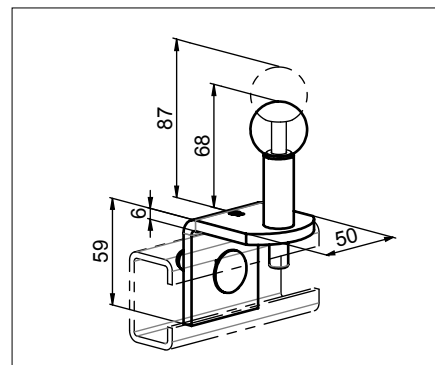
Subject to technical change. Please follow our maintenance and fitting instructions.

Söll GuideLoc End-stops

End-stop, openable

- Prevents the trolley/glider from accidentally slipping off of the guide rail
- Complete with all mounting elements

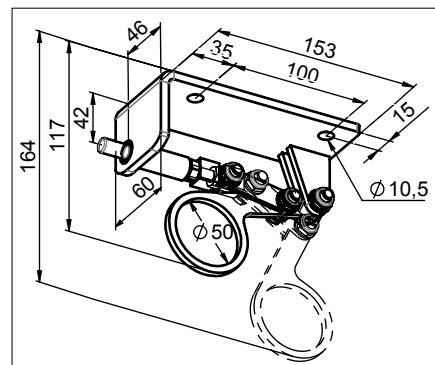
Material: Stainless steel, pickled
Weight: 0.4 kg/each
Part no. 16571



End-stop, remote unlocking

- Prevents the trolley/glider from accidentally slipping off of the guide rail
- For overhead application with fitted guide rail
- Complete with all mounting elements

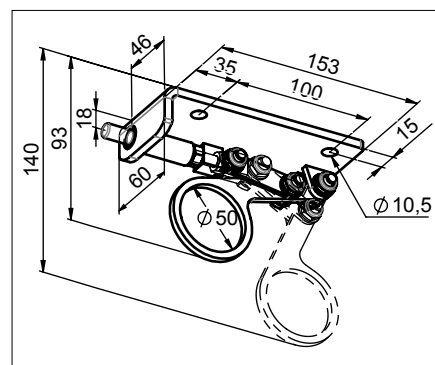
Material: Stainless steel, pickled
Weight: 0.9 kg/each
Part no. 26838



End-stop, remote unlocking

- Prevents the trolley/glider from accidentally slipping off of the guide rail
- For overhead application with lowered guide rail
- Complete with all mounting elements

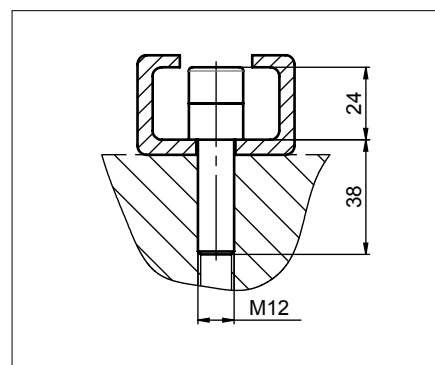
Material: Stainless steel, pickled
Weight: 0.8 kg/each
Part no. 26839



End-stop, fixed

- Prevents the fall arrester from being taken out of the guide rail
- For guide rail mounting without bracket
- Internal thread M12 required on site

Material: Stainless steel, pickled
Weight: 0.1 kg/each
Part no. 26927



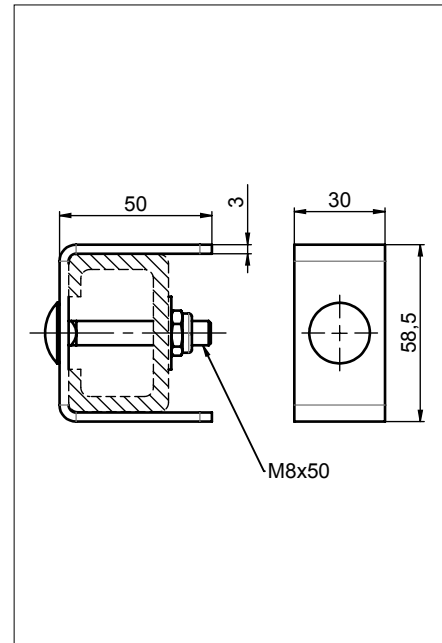
Subject to technical change. Please follow our maintenance and fitting instructions.

Söll GuideLoc End-stops/connector

Rigid end-stop

- Prevents the fall arrester from being taken out of the guide rail
- For fitted guide rails
- Complete with all mounting elements

Material: Stainless steel, pickled
Weight: 0.1 kg/each
Part no. **25166**



Connector for horizontal guide rails

- To connect horizontal guide rails
- Complete with all mounting elements

For steel guide rails

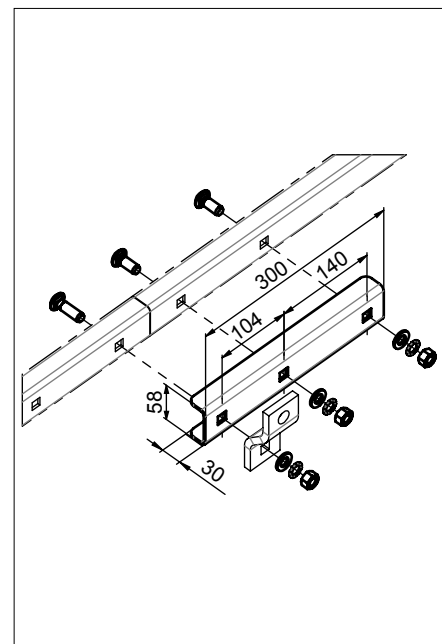
Material: Steel, hot-dip galvanised
Weight: 0.9 kg/each
Part no. **17372**

For stainless steel guide rails

Material: Stainless steel, pickled
Weight: 0.8 kg/each
Part no. **17988**

For aluminium guide rails

Material: Stainless steel, pickled
Weight: 0.8 kg/each
Part no. **17055**



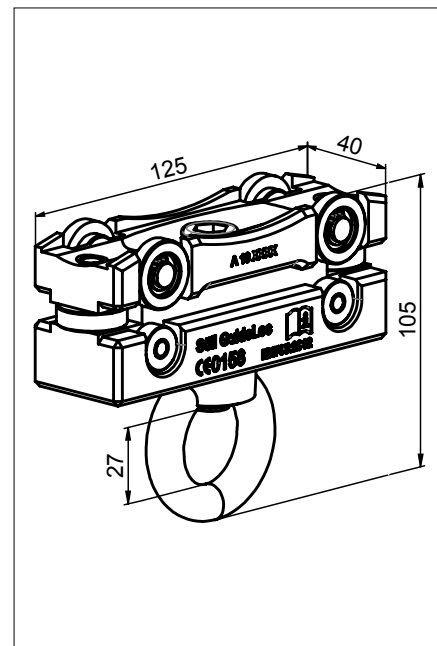
Subject to technical change. Please follow our maintenance and fitting instructions.

Söll GuideLoc Mobile anchor points

Trolley

- Complies with EN 795:2012
- For horizontal guide rails only
- Anodised aluminium body, stainless steel rotating eye

Material: Anodised aluminium
Stainless steel
Weight: 0.9 kg/each
Part no. 15620



Subject to technical change. Please follow our maintenance and fitting instructions.

Söll GuideLoc Mounting elements

Bracket

- Complete with all mounting elements
- Wall attachment must be drilled to suit site conditions. Minimum bolt diameter M16
- Projection: 150 mm

Weight: 1.2 kg/each

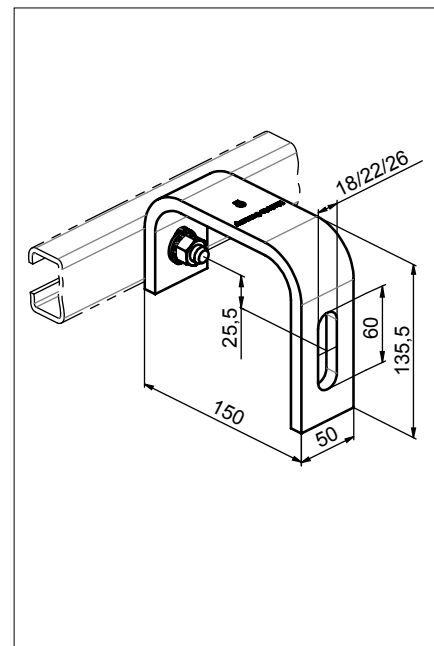
Material: Steel, hot-dip galvanised

Part no. 11048

Material: Stainless steel, pickled

Part no. 14759

Other projections available upon request



Bracket

- Complete with all mounting elements
- Support structure must be checked to ensure sufficient strength

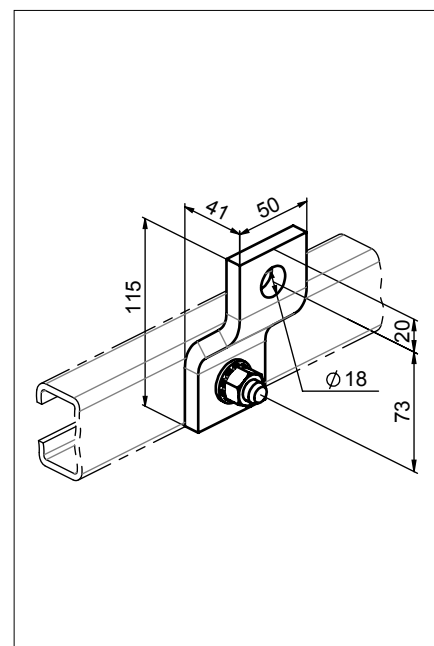
Weight: 0.5 kg/each

Material: Steel, hot-dip galvanised

Part no. 11102

Material: Stainless steel, pickled

Part no. 16838



Subject to technical change. Please follow our maintenance and fitting instructions.

Söll GuideLoc Accessories

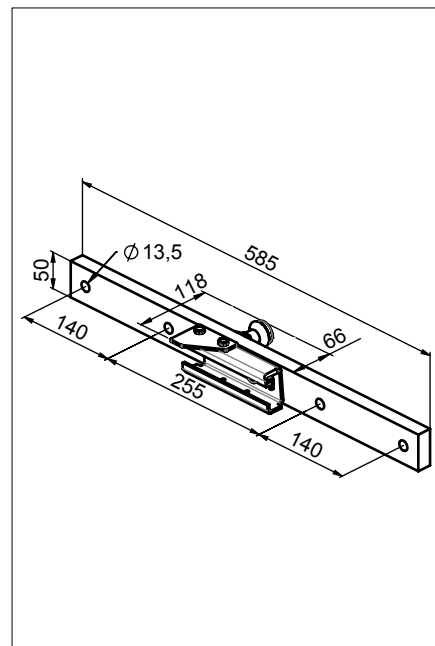
Exit section

- Can only be used in combination with a vertical or horizontal guide rail
- To be installed within a horizontal guide rail
- To remove or insert Söll GlideLoc fall arresters
- Comes with single-use mounting tool

Weight: 4.4 kg/each
 Material: Steel, hot-dip galvanised

Part no. **22168**

Stainless steel available upon request



Fillister head screw

- For direct mounting of horizontal guide rail on structure without mounting bracket

Material: Stainless steel, pickled

Dimension: M12 x 30

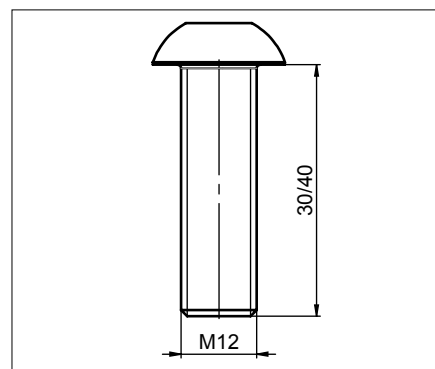
Weight: 0.03 kg/each

Part no. **24721**

Dimension: M12 x 40

Weight: 0.04 kg/each

Part no. **24624**



Identification plate

- For Söll GuideLoc anchor devices
- Must be affixed to each access point
- Languages: D/E/F/ES

Material: Aluminium

Weight: 0.03 kg/each

Part no. **26864**



Subject to technical change. Please follow our maintenance and fitting instructions.

Söll MultiRail®

- Horizontal anchor device
- Certified according to EN 795:2012 and CEN/TS 16415:2013



Subject to technical change. Please follow our maintenance and fitting instructions.

Söll MultiRail®

Horizontal safety rail

- Available in lengths of 200 - 6,000 mm
- Mounting distance: recommended 4,000 mm - max. 6,000 mm

Material: Stainless steel, pickled

Weight: 2.7 kg/m

Part no. 17488

Standard length 3,000 mm

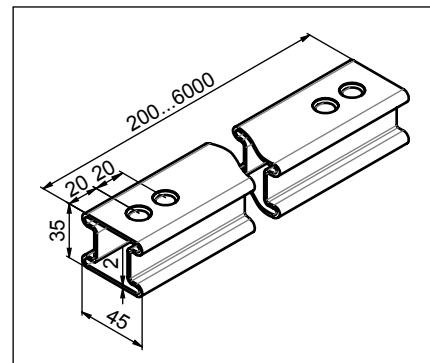
Weight: 7.9 kg/each

Part no. 24401

Standard length 6,000 mm

Weight: 16.1 kg/each

Part no. 19146



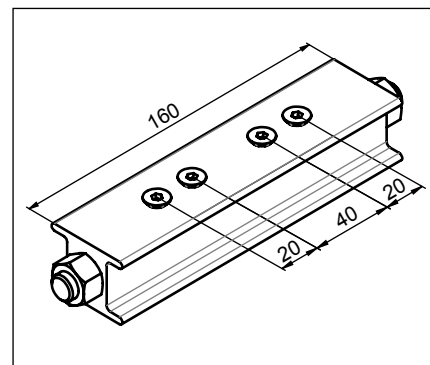
Connector

- For connecting individual rail sections

Material: Anodised aluminium

Weight: 0.5 kg/each

Part no. 17332



Rail end-stop without exit

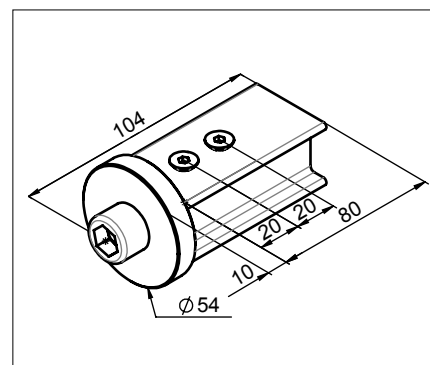
- To prevent the glider from coming off accidentally

Material: Stainless steel, pickled/

Anodised aluminium

Weight: 0.4 kg/each

Part no. 17404



Rail end-stop with exit

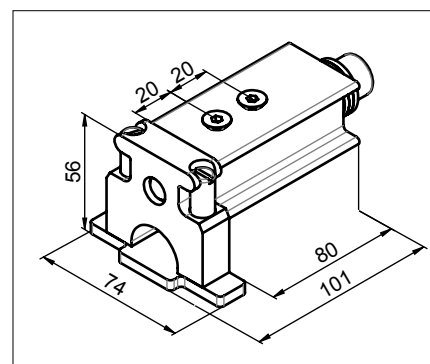
- To prevent the glider from coming off accidentally
- Removal of the glider by pressing the opening mechanism with one hand

Material: Stainless steel, pickled/

Anodised aluminium

Weight: 0.4 kg/each

Part no. 23956



Subject to technical change. Please follow our maintenance and fitting instructions.

Söll MultiRail®

Horizontal bend

- For horizontal use as corner turn
- R = 80 mm

Material: Anodised aluminium

Angle: 90°

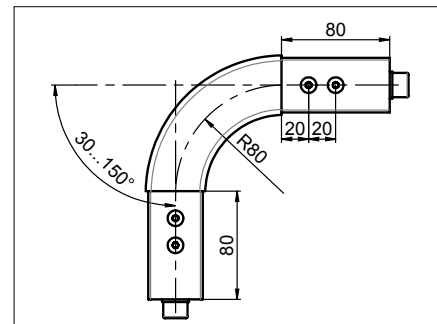
Weight: 0.9 kg/each

Part no. 17331

Angle: 30 - 150°

Weight: Depends on angle

Part no. 18311



Vertical bend

- For vertical use as corner turn
- R = 80 mm

Material: Anodised aluminium

Angle: 90°

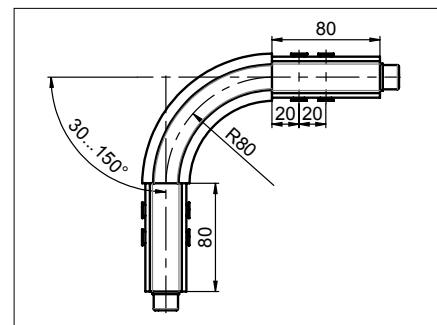
Weight: 0.9 kg/each

Part no. 17330

Angle: 30 - 150°

Weight: Depends on angle

Part no. 18999



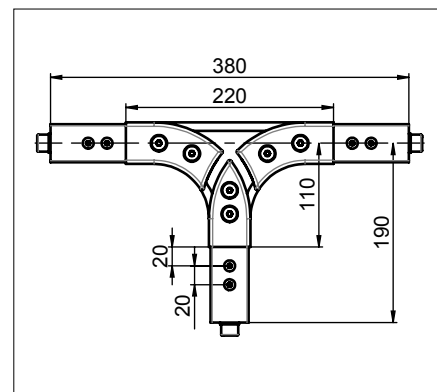
Horizontal track change

- For safe change of travel in two directions
- The rails must be at a 90° angle to one another
- Can only be used with glider closed (part no. 17407)

Material: Stainless steel, pickled /
Anodised aluminium

Weight: 2.7 kg/each

Part no. 20449



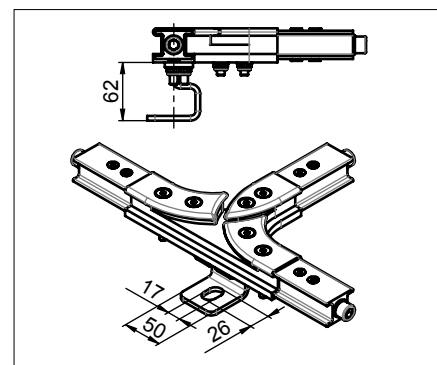
Horizontal track change with bracket

- For safe change of travel in two directions
- The rails must be at a 90° angle to one another
- Can only be used with closed glider (part no. 17407)
- To be used when the anchor point to the structure is right under the track change
- Installation possible in combination with bracket 1 (part No. 17489)

Material: Stainless steel, pickled/
Anodised aluminium

Weight: 3.2 kg/each

Part no. 21967



Subject to technical change. Please follow our maintenance and fitting instructions.

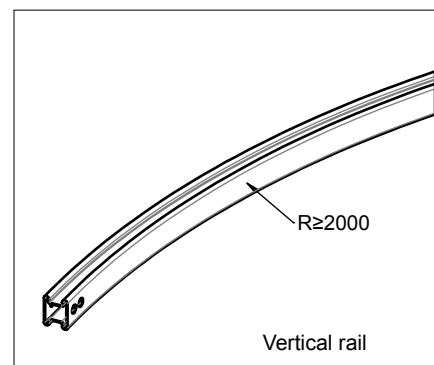
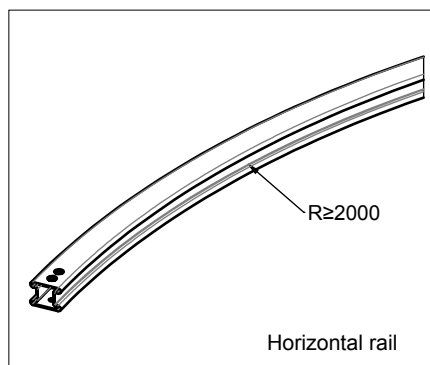
Summary of the smallest possible bending radii in mm for the Söll MultiRail®

Bent safety rail

- Bending radius is at least 2,000 mm

Material: Stainless steel, pickled
Weight: 2.7 kg/m
Part no. **18269**

Indicate the position of the rail (horizontal, vertical) when ordering.



Single bending

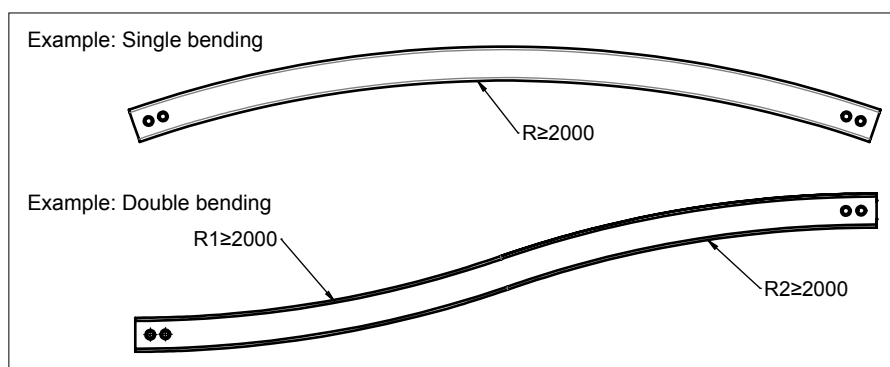
- Bending radius: min. 2,000 mm

Part no. **18270**

Double bending

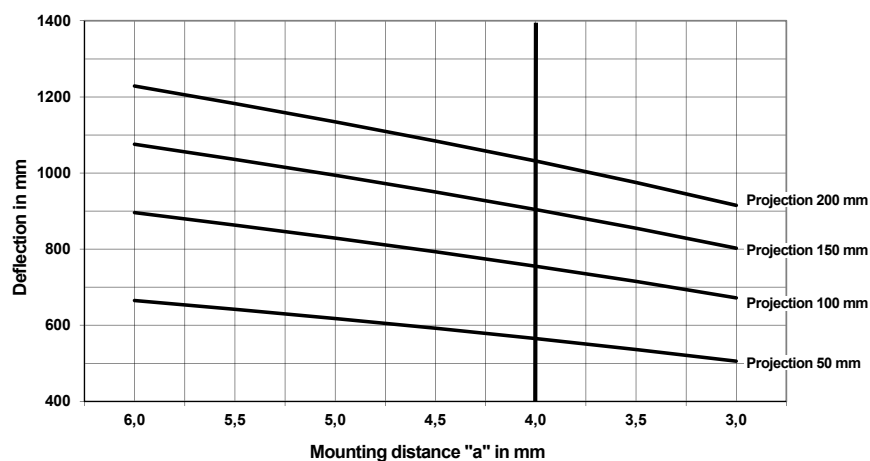
- Bending radius: min. 2,000 mm

Part no. **23177**



Deflection of the guide rail for the Söll MultiRail®

The deflection depends on the mounting distance 'a' and the projection of the rail:



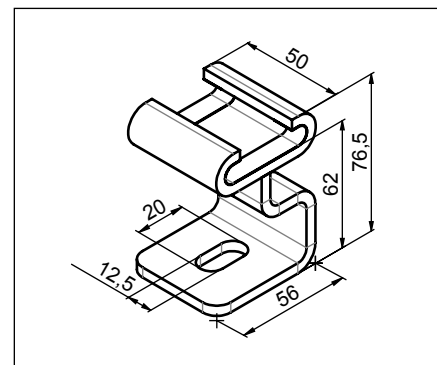
Subject to technical change. Please follow our maintenance and fitting instructions.

Söll MultiRail® Fixings

Bracket 1

- With Teflon easy-slide ribbons
- The rail can move freely in the brackets
- For mounting screws M12
- Screw mounting surface parallel to the rail

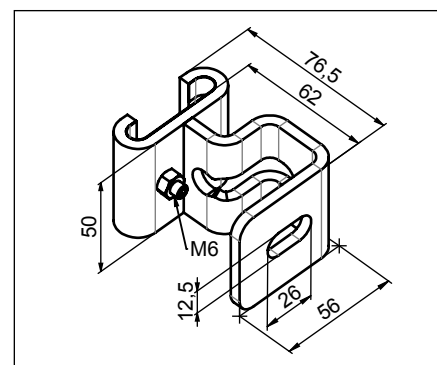
Material: Stainless steel,
pickled
Weight: 0.4 kg/each
Part no. **17489**



Bracket 1 with clamping screw M6

- With Teflon easy-slide ribbons
- For mounting screws M12
- Screw mounting surface parallel to the rail

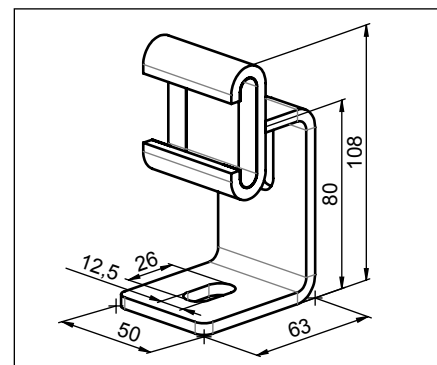
Material: Stainless steel,
pickled
Weight: 0.4 kg/each
Part no. **20168**



Bracket 2

- With Teflon easy-slide ribbons
- The rail can move freely in the brackets
- For mounting screws M12
- Screw mounting surface at right angle to the rail

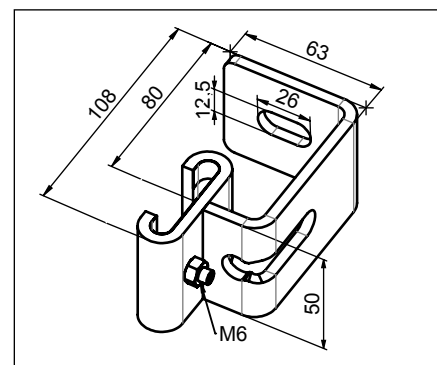
Material: Stainless steel,
pickled
Weight: 0.4 kg/each
Part no. **17112**



Bracket 2 with clamping screw M6

- With Teflon easy-slide ribbons
- For mounting screws M12
- Screw mounting surface at right angle to the rail

Material: Stainless steel,
pickled
Weight: 0.4 kg/each
Part no. **20167**



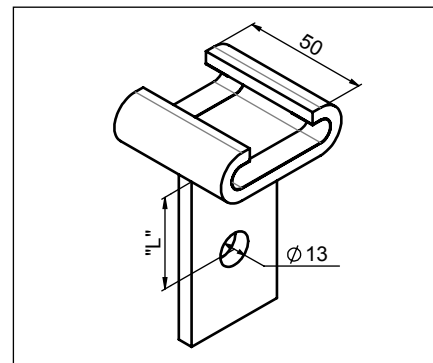
Subject to technical change. Please follow our maintenance and fitting instructions.

Söll MultiRail® Fixings

Bracket 5

- With Teflon easy-slide ribbons
- The rail can move freely in the brackets
- For overhead application
- For work in suspension
- For mounting screws M12
- Projection 'L': max. 200 mm (please indicate when ordering)

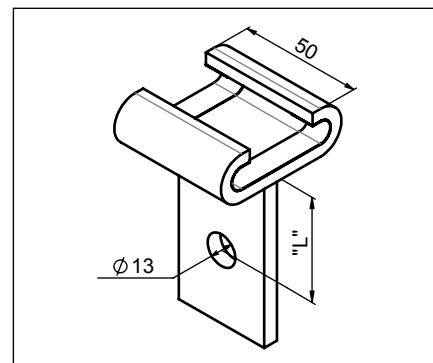
Material: Stainless steel, pickled
Weight: 0.4 kg/each
Part no. **21031**



Bracket 7

- With Teflon easy-slide ribbons
- The rail can move freely in the brackets
- For overhead application
- For work in suspension
- For mounting screws M12
- Projection 'L': max. 200 mm (please indicate when ordering)

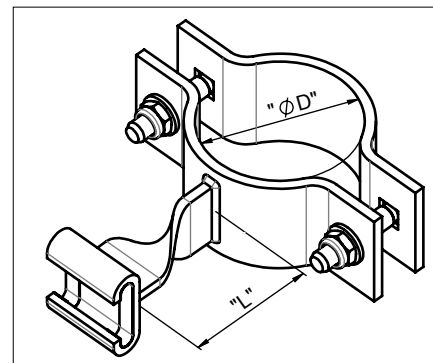
Material: Stainless steel, pickled
Weight: 0.4 kg/each
Part no. **21677**



Clamp

- With Teflon easy-slide ribbons
- The rail can move freely in the brackets
- Projection 'L': 80 - 200 mm
- Complete with all mounting elements
- Please indicate projection 'L' when placing the order

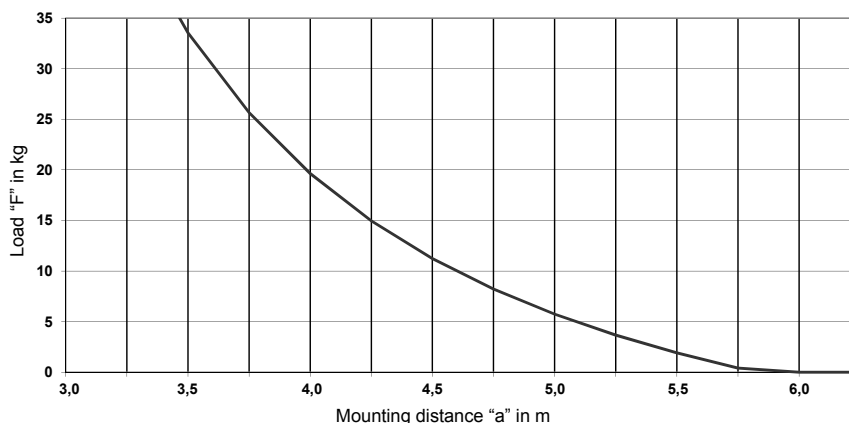
Material: Stainless steel, pickled
Weight: Depends on size
Part no. **MR-BS-1AUSL-<Ø in mm>**



Recommended mounting distance 'a' when using a wheeled trolley with a retractable type fall arrester

Load 'F' definition:

self-weight of retractable type fall arrester +
max. retraction load of the retractable type fall arrester



Subject to technical change. Please follow our maintenance and fitting instructions.

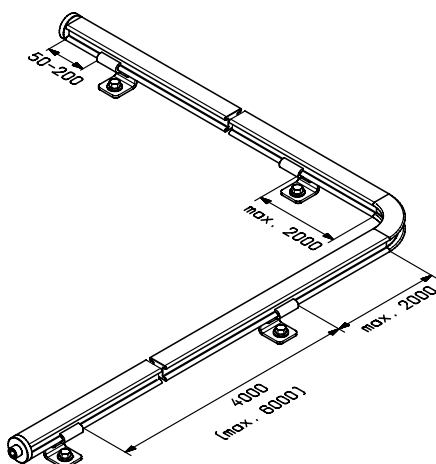
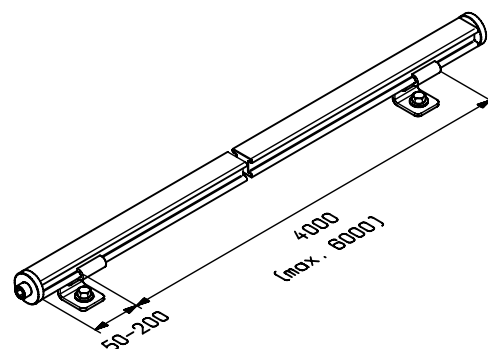
Söll MultiRail®

Planning aid for mounting distances

Straight course of the Söll MultiRail anchor device:

Rail projection at the last bracket: 50 - 200 mm

Mounting distance: Recommended 4,000 mm
 Maximum 6,000 mm



L-shape of the Söll MultiRail anchor device:

Distance of bracket to bend: max. 2,000 mm

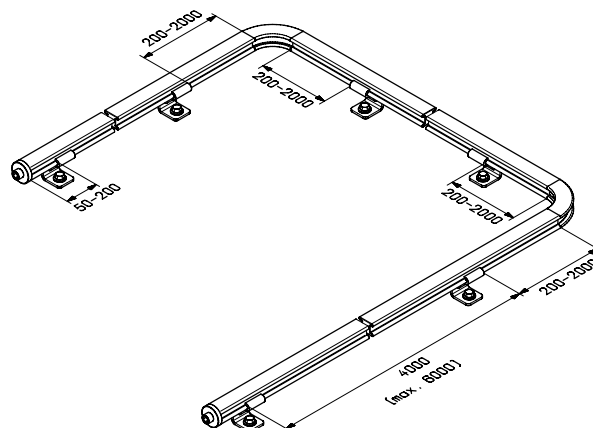
Special shapes available after consulting the manufacturer

U-shape of the Söll MultiRail anchor device:

Distance of bracket to bend: 200 - 2,000 mm

Special shapes available after consulting the manufacturer

Endless/closed shape of the Söll MultiRail anchor device available only as an exception and after consulting the manufacturer



Söll MultiRail® Mobile anchor points

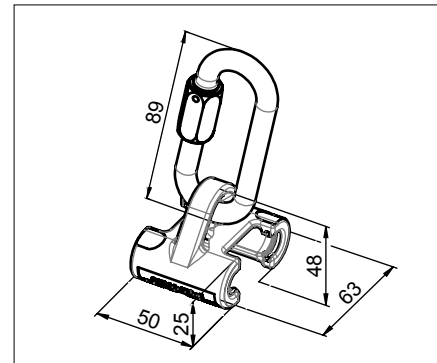
Closed glider

- With sliding inserts (made of polyamide) and eyelet

Material: Stainless steel, pickled

Weight: 0.5 kg/each

Part no. 17407



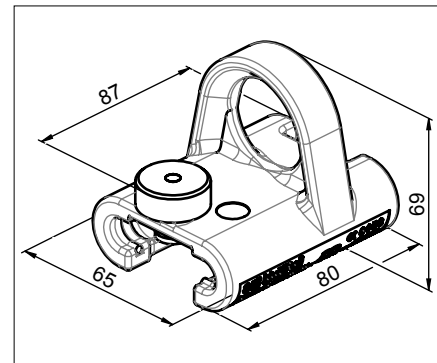
Lockable glider

- With sliding inserts (made of polyamide) and yellow eyelet

Material: Stainless steel, pickled

Weight: 0.65 kg/each

Part no. 26308



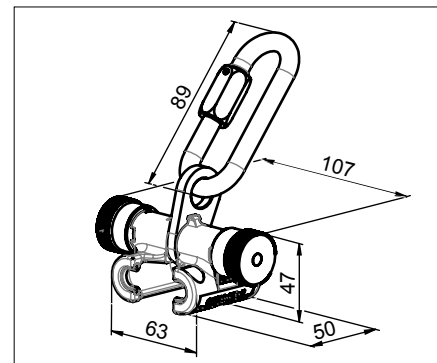
Openable glider

- With sliding inserts (made of polyamide) and eyelet
- Can be attached and removed at any point

Material: Stainless steel, pickled

Weight: 0.8 kg/each

Part no. 17792



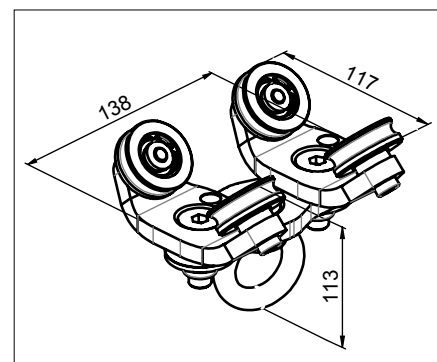
Wheeled trolley

- For overhead application
- To be used with a retractable type fall arrester
- With swivelable eyelet
- Can be used with rail end-stop (part no. 23956) and horizontal bend (part no. 17331)

Material: Stainless steel, pickled

Weight: 2.0 kg/each

Part no. 24168



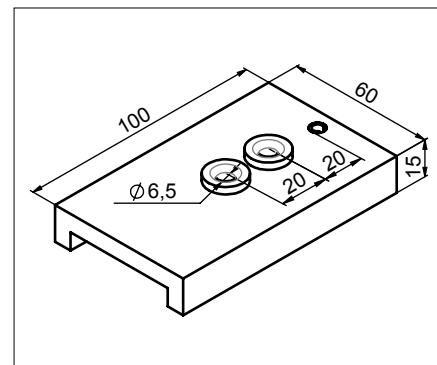
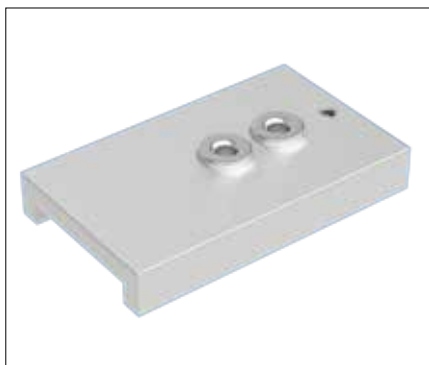
Subject to technical change. Please follow our maintenance and fitting instructions.

Söll MultiRail® Accessories

Drilling gauge

- Serves to make the component holes when the guide rails are shortened at the working site
- Can be clamped on the guide rail by a screw ferrule

Material: Aluminium
Weight: 0.2 kg/each
Part no. **23841**



Identification plate

- For Söll MultiRail anchor devices
- Must be affixed at each access point
- Dimensions: 150 x 70 mm
- Hole spacing: 135 x 56 mm; Ø 2.2 mm
- Languages: D/E/F/ES

Material: Aluminium
Weight: 0.1 kg/each
Part no. **25904**



Identification plate for rope access work

- For Söll MultiRail anchor devices
- Must be affixed at each access point
- Dimensions: 150 x 70 mm
- Hole spacing 135 x 56 mm Ø 2.2 mm
- Languages: D/E/F/ES

Material: Aluminium
Weight: 0.1 kg/each
Part no. **27238**



Söll MultiRail® Aluminium

- Horizontal anchor device
- Certified according to EN 795:2012 and CEN/TS 16415:2013



Subject to technical change. Please follow our maintenance and fitting instructions.

Söll MultiRail® Aluminium

Horizontal safety rail

- Available in lengths of 200 - 6,000 mm
- Mounting distance: recommended 4,000 mm - max. 6,000 mm

Material: Anodised aluminium

Weight: 2.7 kg/m

Sold by the metre

Part no. 26876

End piece sold by the metre

Part no. 26874

Standard length 3,000 mm

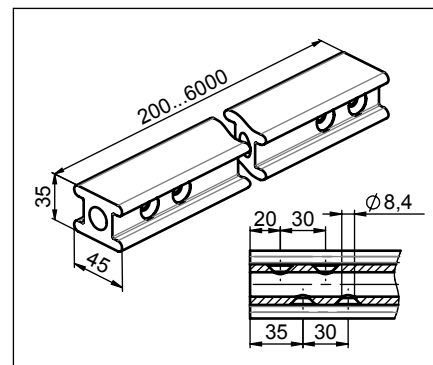
Weight: 9.0 kg/each

Part no. 26871

Standard length 6,000 mm

Weight: 18.0 kg/each

Part no. 26858



End piece standard length 3,000 mm

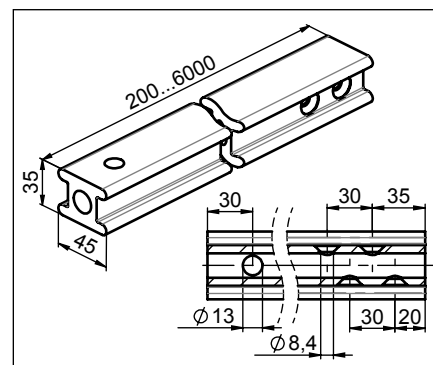
Weight: 8.0 kg/each

Part no. 26872

End piece standard length 6,000 mm

Weight: 16.0 kg/each

Part no. 26861



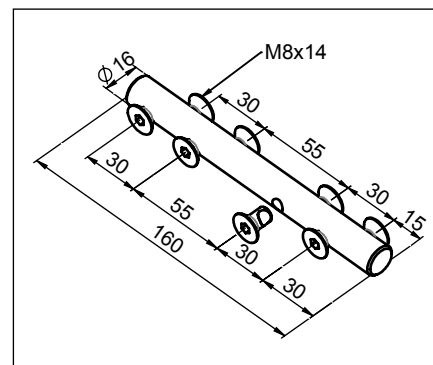
Connector

- For connecting individual rail sections

Material: Stainless steel, pickled

Weight: 0.4 kg/each

Part no. 26863



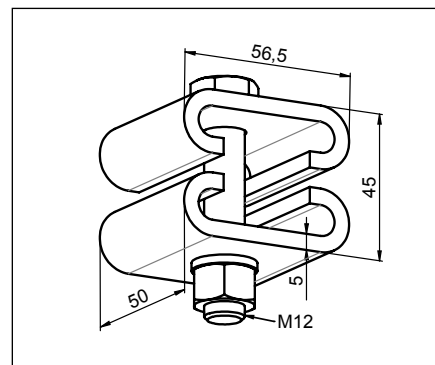
Subject to technical change. Please follow our maintenance and fitting instructions.

Söll MultiRail® Aluminium

Rail end-stop without exit

- To prevent the glider from coming off accidentally

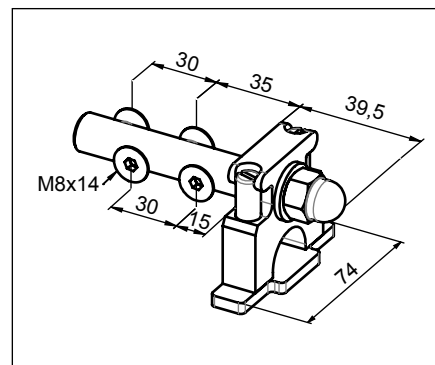
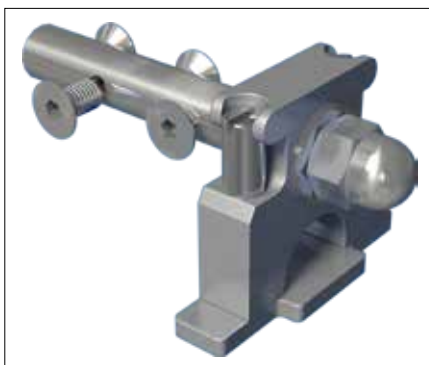
Material: Stainless steel, pickled
Weight: 0.4 kg/each
Part no. **26886**



Rail end-stop with exit

- To prevent the glider from coming off accidentally
- Removal of the glider by pressing the opening mechanism with one hand

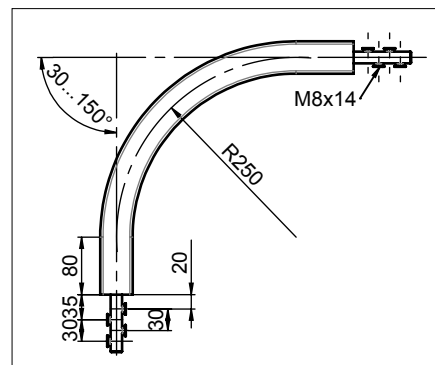
Material: Stainless steel, pickled/
anodised aluminium
Weight: 0.4 kg/each
Part no. **26916**



Horizontal bend

- For horizontal use as corner turn
- R = 250 mm

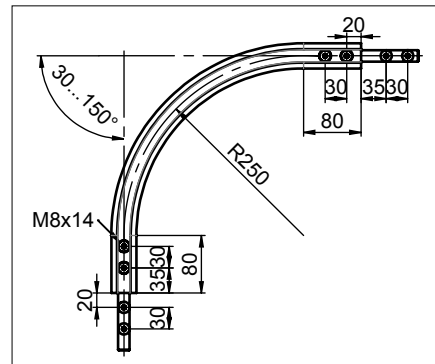
Material: Anodised aluminium
Angle: 90°
Weight: 1.9 kg/each
Part no. **27058**
Angle: 30 - 150°
Weight: Depends on angle
Part no. **27059**



Vertical bend

- For vertical use as corner turn
- R = 250 mm

Material: Anodised aluminium
Angle: 90°
Weight: 1.9 kg/each
Part no. **27060**
Angle: 30 - 150°
Weight: Depends on angle
Part no. **27061**



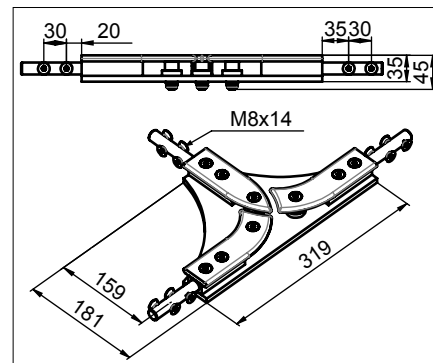
Subject to technical change. Please follow our maintenance and fitting instructions.

Söll MultiRail® Aluminium

Horizontal track T-change

- For safe change of travel in two directions
- The rails must be at a 90° angle to one another
- Can only be used with closed glider (part no. 17407)

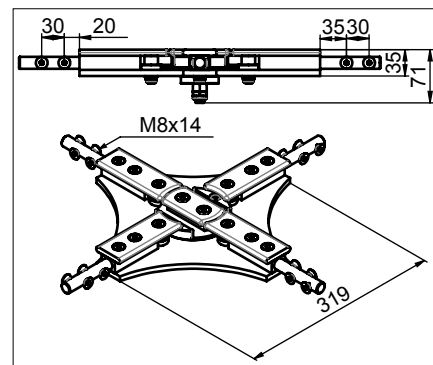
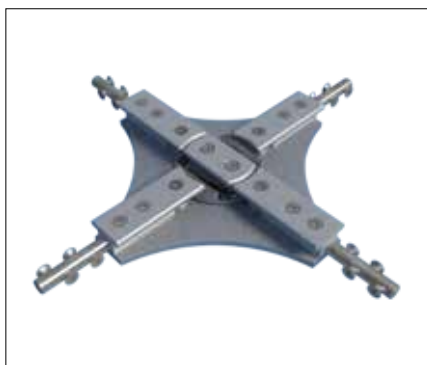
Material: Anodised aluminium/
Stainless steel, pickled
Weight: 2.1 kg/each
Part no. **26903**



Horizontal track X-change

- For safe change of travel in four directions
- The rails must be at a 90° angle to one another
- Can only be used with closed glider (part no. 17407)

Material: Anodised aluminium/
Stainless steel, pickled
Weight: 3.8 kg/each
Part no. **26914**



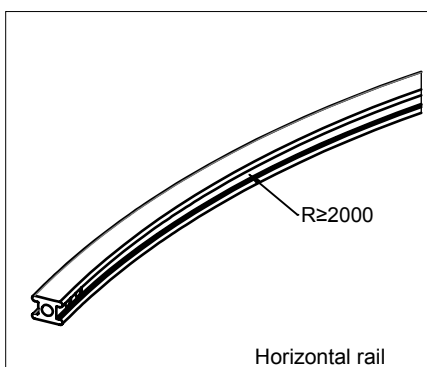
Summary of the smallest possible bending radii in mm for the Söll MultiRail® Aluminium.

Horizontal bent rail

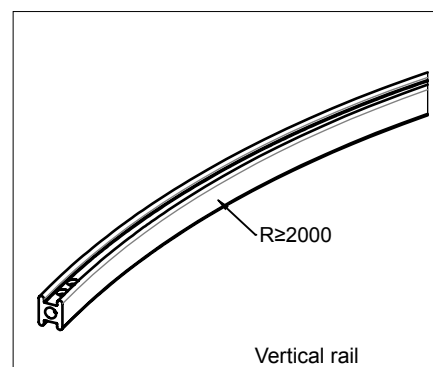
- Bending radius is at least 2,000 mm

Material: Anodised aluminium
Weight: 3.0 kg/m
Part no. **27131**

Indicate the position of the rail (horizontal, vertical) when ordering.



Horizontal rail



Vertical rail

Single bending

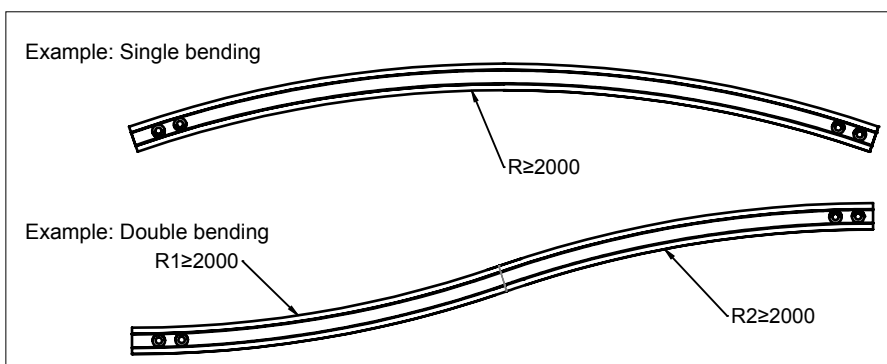
- Bending radius: min. 2,000 mm

Part no. **27130**

Double bending

- Bending radius: min. 2,000 mm

Part no. Available upon request



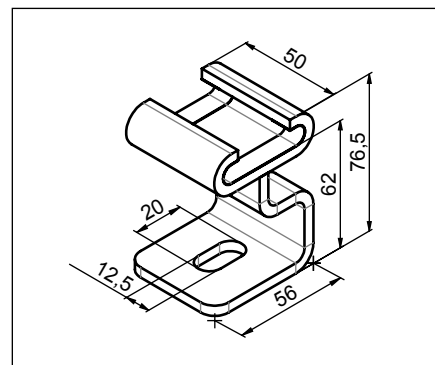
Subject to technical change. Please follow our maintenance and fitting instructions.

Söll MultiRail® Aluminium Fixings

Bracket 1

- With Teflon easy-slide ribbons
- The rail can move freely in the brackets
- For mounting screws M12
- Screw mounting surface parallel to the rail

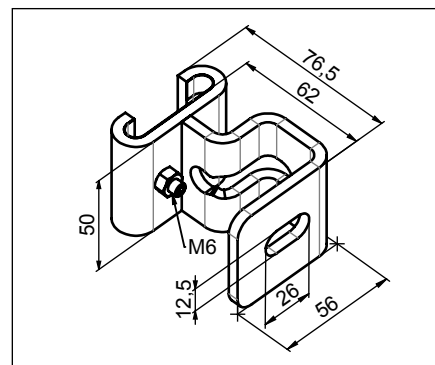
Material: Stainless steel,
pickled
Weight: 0.4 kg/each
Part no. **17489**



Bracket 1 with clamping screw M6

- With Teflon easy-slide ribbons
- For mounting screws M12
- Screw mounting surface parallel to the rail

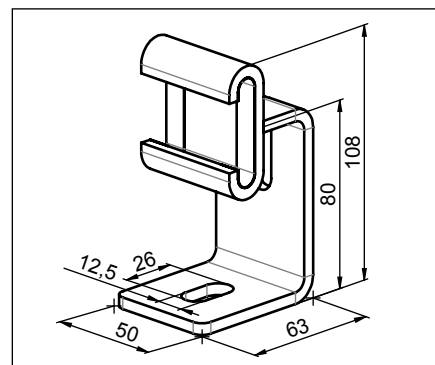
Material: Stainless steel,
pickled
Weight: 0.4 kg/each
Part no. **20168**



Bracket 2

- With Teflon easy-slide ribbons
- The rail can move freely in the brackets
- For mounting screws M12
- Screw mounting surface at right angle to the rail

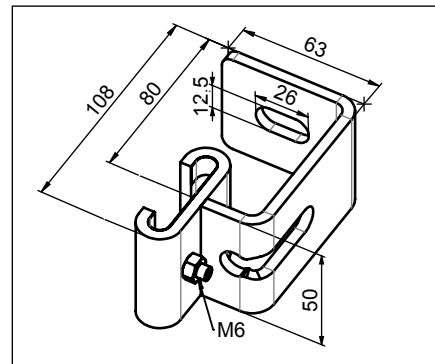
Material: Stainless steel,
pickled
Weight: 0.4 kg/each
Part no. **17112**



Bracket 2 with clamping screw M6

- With Teflon easy-slide ribbons
- For mounting screws M12
- Screw mounting surface at right angle to the rail

Material: Stainless steel,
pickled
Weight: 0.4 kg/each
Part no. **20167**



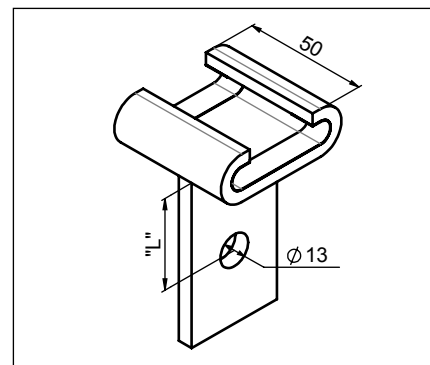
Subject to technical change. Please follow our maintenance and fitting instructions.

Söll MultiRail® Aluminium Fixings

Bracket 5

- With Teflon easy-slide ribbons
- The rail can move freely in the brackets
- For overhead application
- For mounting screws M12
- Projection 'L': max. 200 mm (please indicate when ordering)

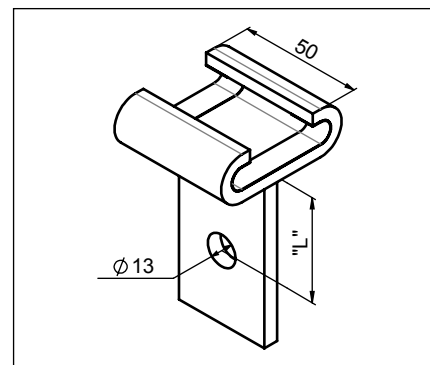
Material: Stainless steel, pickled
Weight: 0.4 kg/each
Part no. **21031**



Bracket 7

- With Teflon easy-slide ribbons
- The rail can move freely in the brackets
- For overhead application
- For mounting screws M12
- Projection 'L': max. 200 mm (please indicate when ordering)

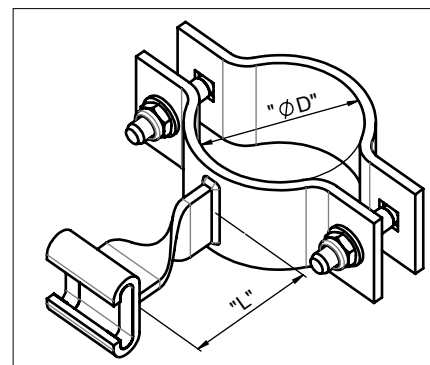
Material: Stainless steel, pickled
Weight: 0.4 kg/each
Part no. **21677**



Clamp

- With Teflon easy-slide ribbons
- The rail can move freely in the brackets
- Projection 'L': 80 - 200 mm
- Complete with all mounting elements
- Please indicate projection 'L' when placing the order

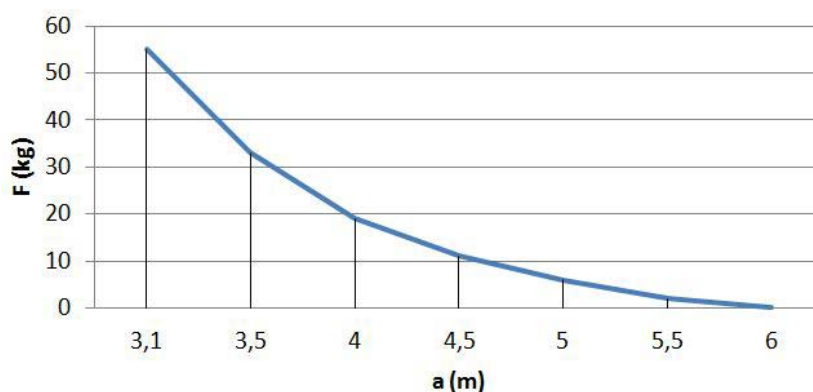
Material: Stainless steel, pickled
Weight: Depends on size
Part no. **MR-BS-1AUSL-<Ø in mm>**



Recommended mounting distance 'a' when using a wheeled trolley with a retractable type fall arrester

Load 'F' definition:

self-weight of retractable type fall arrester +
max. retraction load of the retractable type fall arrester



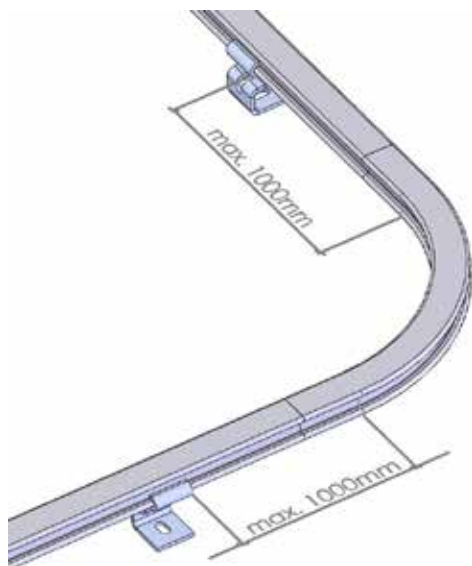
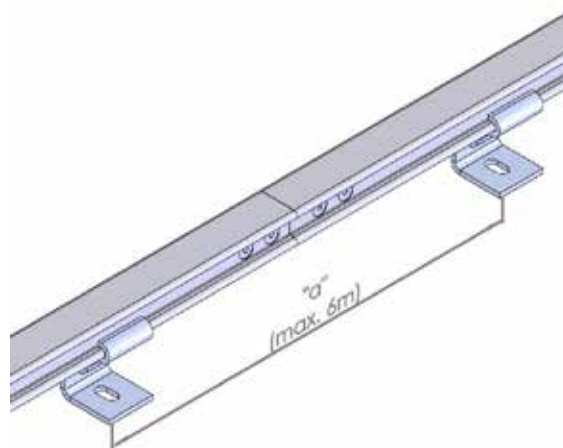
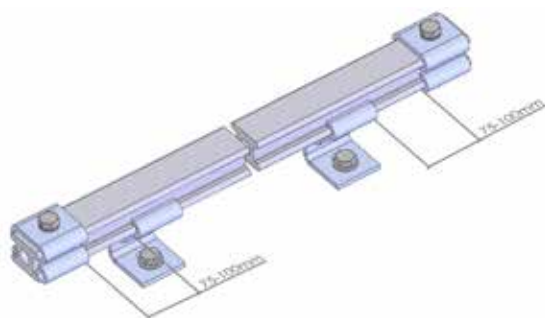
Subject to technical change. Please follow our maintenance and fitting instructions.

Söll MultiRail® Aluminium Planning aid for mounting distances

Straight course of the Söll MultiRail® Aluminium anchor device:

Rail projection at the last bracket: 75 - 100 mm

Mounting distance: Recommended 4,000 mm
 Maximum 6,000 mm



L-shape of the Söll MultiRail® Aluminium anchor device:

Distance of bracket to bend: max. 1,000 mm

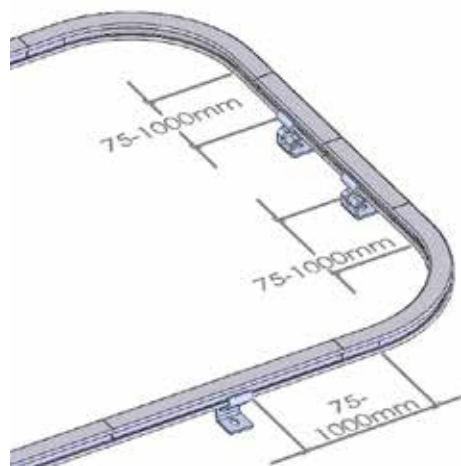
Special shapes available after consulting the manufacturer.

U-shape of the Söll MultiRail® Aluminium anchor device:

Distance of bracket to bend: 75 - 1,000 mm

Special shapes available after consulting the manufacturer

Endless/closed shape of the Söll MultiRail (aluminium) anchor device available only as an exception and after consulting the manufacturer



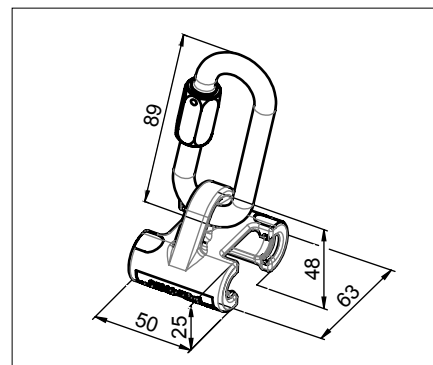
Subject to technical change. Please follow our maintenance and fitting instructions.

Söll MultiRail® Aluminium Mobile anchor points

Closed glider

- With sliding inserts (made of polyamide) and eyelet

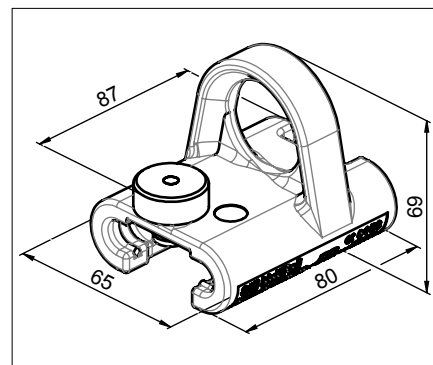
Material: Stainless steel, pickled
Weight: 0.5 kg/each
Part no. 17407



Lockable glider

- With sliding inserts (made of polyamide) and yellow eyelet

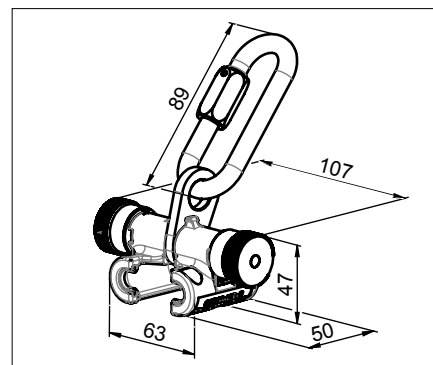
Material: Stainless steel, pickled
Weight: 0.65 kg/each
Part no. 26308



Openable glider

- With sliding inserts (made of polyamide) and eyelet
- Can be attached and removed at any point

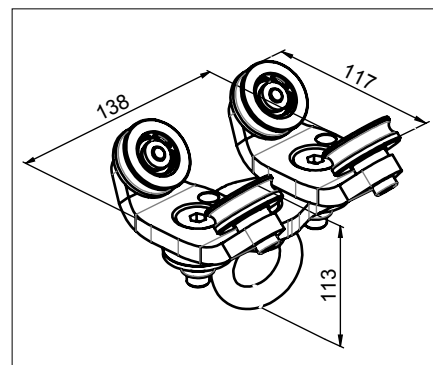
Material: Stainless steel, pickled
Weight: 0.8 kg/each
Part no. 17792



Wheeled trolley

- For overhead application
- To be used with a retractable type fall arrester
- With swivelable eyelet
- Can be used with rail end-stop (part no. 26916) and horizontal bend (part no. 27058)

Material: Stainless steel, pickled
Weight: 2.0 kg/each
Part no. 24168



Subject to technical change. Please follow our maintenance and fitting instructions.

Söll MultiRail® Aluminium Accessories

Identification plate

- For Söll MultiRail® Aluminium anchor devices
- Dimensions: 150 x 70 mm
- Hole spacing 135 x 56 mm, Ø 2.2 mm
- Languages: D/E/F/ES

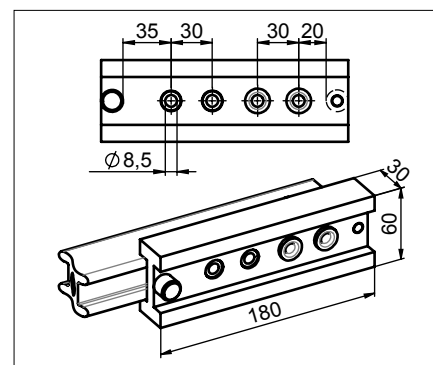
Material: Aluminium
 Weight: 0.1 kg/each
 Part no. **26990**



Drilling gauge

- Serves to make the component holes when the guide rails are shortened at the working site
- Can be clamped on the guide rail by a screw ferrule

Material: Aluminium
 Weight: 0.5 kg/each
 Part no. **26917**



Söll Vi-Go®

- Vertical fall protection system
- Certified according to EN 353-1:2002 and CNB/P/11.073



Subject to technical change. Please follow our maintenance and fitting instructions.

Söll Vi-Go®

Guide cable/end pieces

Guide cable

- Cable diameter 8 mm or 10 mm
- Max. cable length 200 m
- Mounting distance of intermediate brackets max. 10 m

Cable diameter 8 mm

Cable design 6x19 + SE

Material: Galvanised steel

Weight: 0.2 kg/m

Part no. 24843

Cable design 7x19

Material: Stainless steel

Weight: 0.3 kg/m

Part no. 24841

Cable diameter 10 mm

Cable design 6x19 + SE

Material: Galvanised steel

Weight: 0.3 kg/m

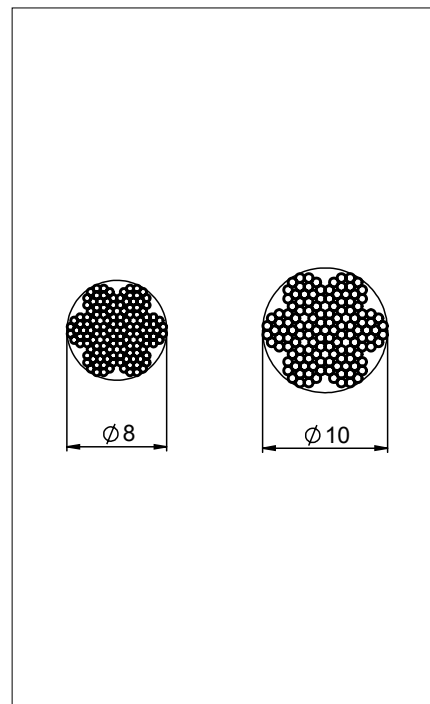
Part no. 24844

Cable design 7x19

Material: Stainless steel

Weight: 0.4 kg/m

Part no. 24842



Cable swaging

- Cable end pre-assembled in factory with eye stiffener and crimp sleeve
- Must be ordered with the guide cable

For 8 mm galvanised steel cable

Part no. 24845

For 8 mm pickled stainless steel cable

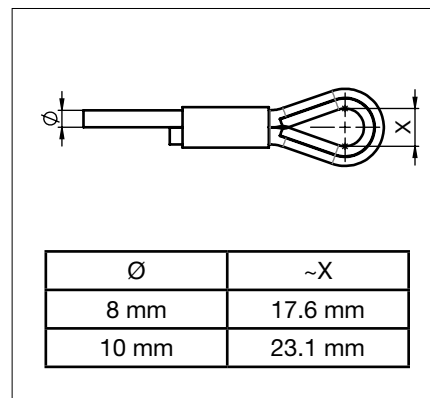
Part no. 24846

For 10 mm galvanised steel cable

Part no. 24847

For 10 mm pickled stainless steel cable

Part no. 24848



Cable clamping set

- Set contains: 4x cable clamps, 1x cable eye stiffener, 1x heat shrink tube
- Simple and quick installation
- The guide cable does not have to be cut exactly to measure

Material: Stainless steel

For 8 mm cable

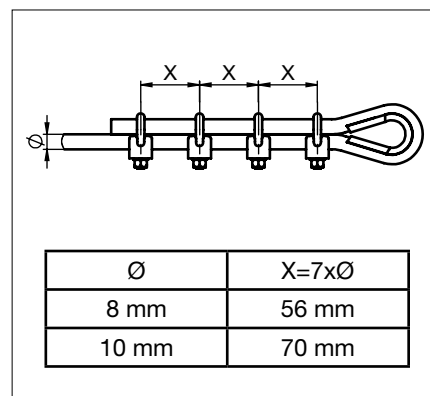
Weight: 0.2 kg/each

Part no. 24849

For 10 mm cable

Weight: 0.4 kg/each

Part no. 24850



Subject to technical change. Please follow our maintenance and fitting instructions.

Söll Vi-Go®

End pieces/cable tensioners

Cable end piece for screw fitting

- With eyebolt
- To connect the guide cable with the cable tensioner
- Easy installation using open-ended spanners
- Tamper-evident paint (part no. 17298) required for check

Material: Stainless steel

For 8 mm cable

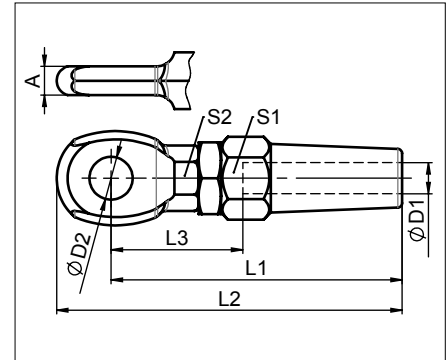
Weight: 0.4 kg/each

Part no. **24851**

For 10 mm cable

Weight: 0.5 kg/each

Part no. **24852**



D1	D2	L1	L2	L3	S1	S2	A
mm							
8	14,3	103	121	52,5	24	19	10
10	16,3	116	135	65,0	27	24	13

Cable end piece for swaging

- To connect the guide cable with the cable tensioner
- Cable swaging for increased safety and cable stability
- Control ring (part no. 23168/23169) or Tamper-evident paint (part no. 17298) required for check

Material: Stainless steel

For 8 mm cable

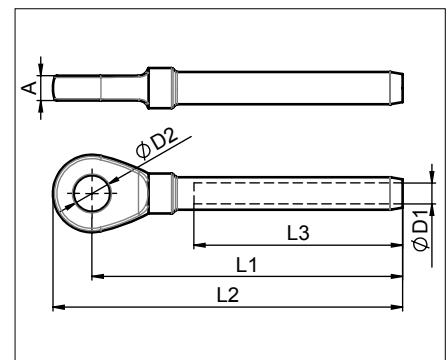
Weight: 0.2 kg/each

Part no. **25124**

For 10 mm cable

Weight: 0.3 kg/each

Part no. **25125**



D1	D2	L1	L2	L3	A
mm					
8	14,5	123,5	139	83	10
10	16,2	137	155	89	10,8

Cable tensioner

- Cable pretensioning force 1,500 N
- Pretensioning indicator with marked min. and max. pretensioning force
- Used for compensation when support structure moves or temperatures fluctuate

Material: Steel, hot-dip galvanised

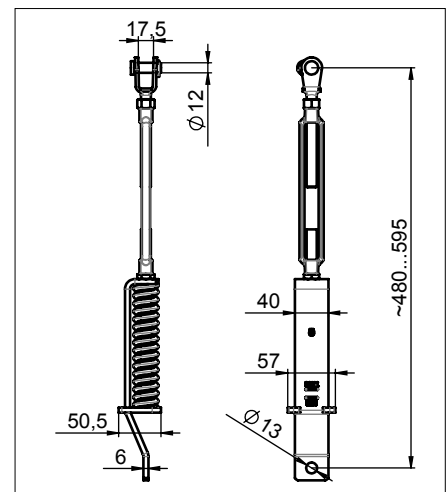
Weight: 1.5 kg/each

Part no. **26554**

Material: Stainless steel, pickled

Weight: 1.5 kg/each

Part no. **25401**



Subject to technical change. Please follow our maintenance and fitting instructions.

Söll Vi-Go® Mounting elements

Rung bracket

- Mounted directly to the ladder rungs
- For fixing the cable tensioner or cable end piece
- Can be used for different rung diameters
- Rung distances 230 - 330 mm possible

with round steel bracket for rungs
ø 27-38 mm

Weight: 2.1 kg/each

Material: Galvanised steel

Part no. 24807

Material: Stainless steel,
pickled

Part no. 25806

with clamp for rungs

ø 18-26 mm (not shown)

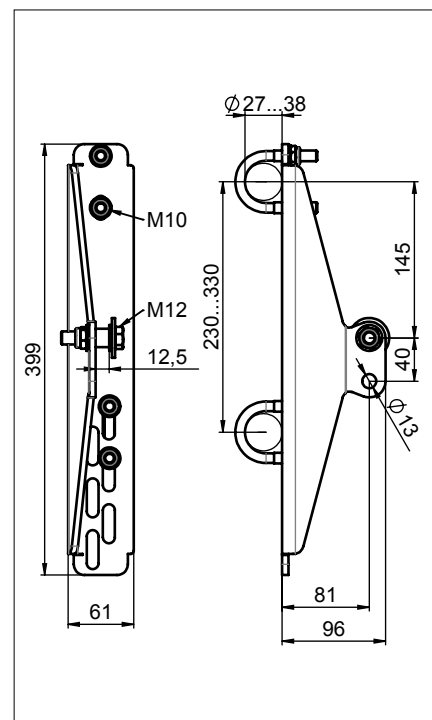
Weight 2.3 kg/each

Material: Galvanised steel

Part no. 25001

Material: Stainless steel,
pickled

Part no. 25002



Lower rung bracket

- Mounted directly to the ladder rungs
- For fixing the cable tensioner or cable end piece
- Can be used for different rung diameters
- Rung distances 230 - 330 mm possible

with round steel bracket for rungs
ø 27-38 mm

Weight: 2.0 kg/each

Material: Galvanised steel

Part no. 25229

Material: Stainless steel,
pickled

Part no. 25219

with clamp for rungs

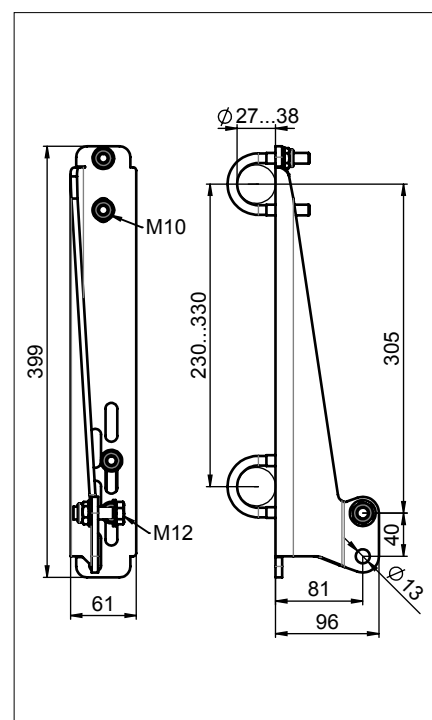
ø 18-26 mm (not shown)

Weight 2.3 kg/each

Material: Galvanised steel

Part no. 26124

Stainless steel available upon request



Söll Vi-Go® Mounting elements

Universal clamp

- Can be mounted to different profiles
- For fixing the cable tensioner or cable end piece

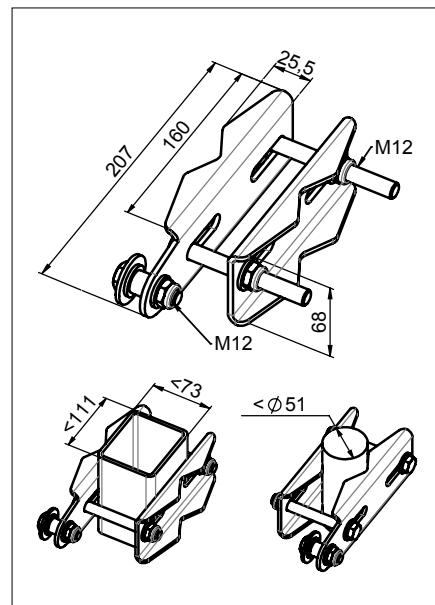
Weight: 1.2 kg/each

Material: Galvanised steel

Part no. 24815

Material: Stainless steel,
pickled

Part no. 24814



Platform support

- System extension above the end of the ladder run
- Approved for max. four users
- With anchor eye as per EN 795 for one person
- Max. permissible load 22 kN
- Must be fixed to three ladder rungs

Material: Steel,
hot-dip galvanised

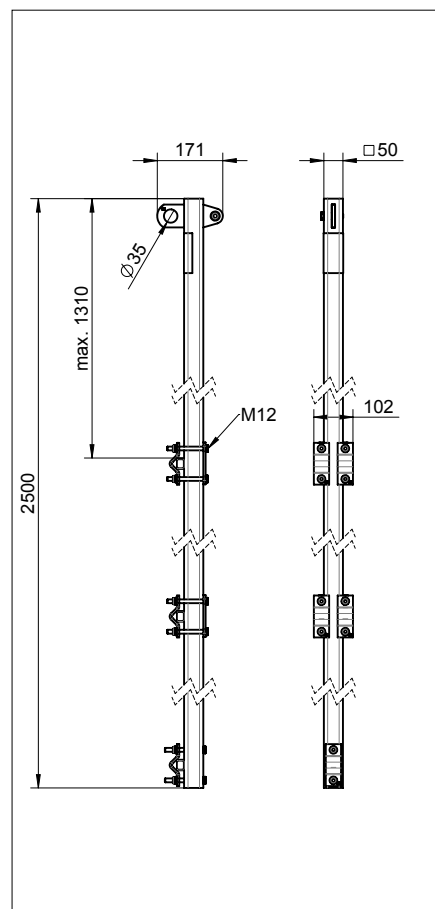
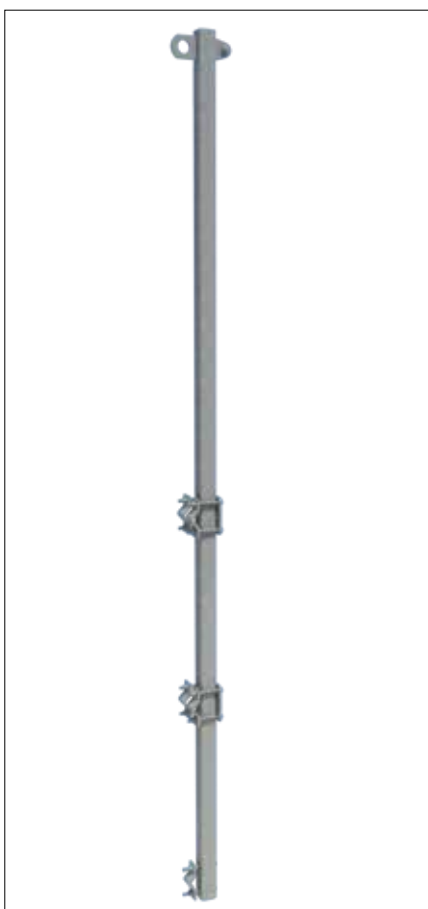
Weight: 19.6 kg/each

Part no. 25051

Material: Stainless steel,
pickled

Weight: 17.0 kg/each

Part no. 25846



Subject to technical change. Please follow our maintenance and fitting instructions.

Söll Vi-Go® Intermediate bracket

Automatic intermediate bracket

- Holds the cable in position and prevents excessive cable movement
- Mounting on ladder rungs
- Cable must be threaded through bracket during installation
- Glider runs across the bracket without manual intervention

Material: Stainless steel, pickled

For 8 mm cable

with round steel bracket for rungs
ø 27-38 mm

Weight: 0.2 kg/each

Part no. **24840**

with clamp for rungs
ø 18-26 mm (figure below)

Weight 0.4 kg/each

Part no. **25000**

For 10 mm cable

with round steel bracket for rungs
ø 27-38 mm

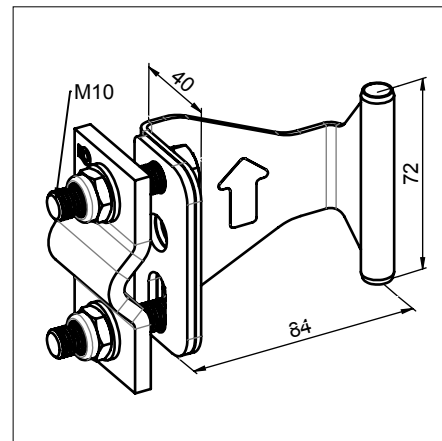
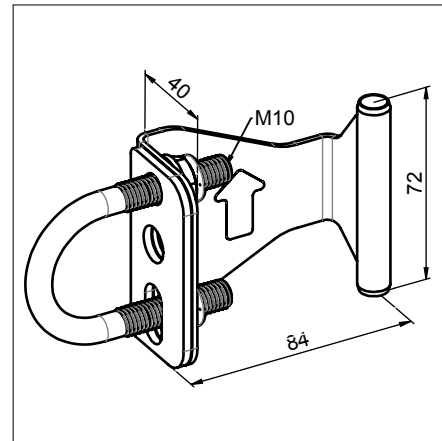
Weight: 0.2 kg/each

Part no. **25202**

with clamp for rungs
ø 18-26 mm (figure below)

Weight 0.4 kg/each

Part no. **26243**



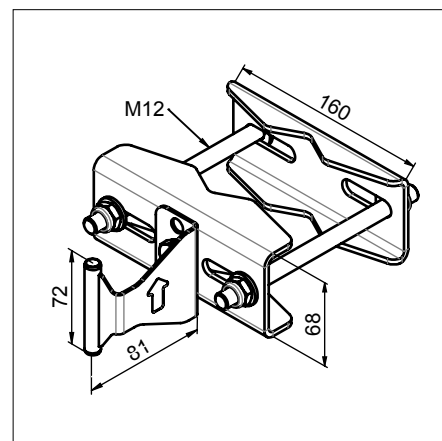
Automatic intermediate bracket

- For 8 mm guide cable
- For mounting on profiles with diameter 24 - 85 mm
- Holds the cable in position and prevents excessive cable movement

Material: Stainless steel, pickled

Weight: 1.5 kg/each

Part no. **25860**



Söll Vi-Go® Intermediate bracket

Automatic intermediate bracket

- Plastic cable guide
- For 8 mm guide cable
- Holds the cable in position and prevents excessive cable movement
- Mounting on ladder rungs
- Version with slit can be retrofitted onto cable

Material: Stainless steel/
 plastic

Closed version

with round steel bracket for rungs
ø 27-38 mm

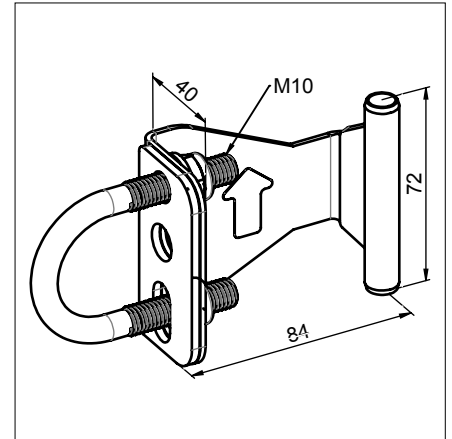
Weight: 0.1 kg/each

Part no. **25807**

with clamp for rungs
ø 18-26 mm (not shown)

Weight: 0.4 kg/each

Part no. **25850**



Subject to technical change. Please follow our maintenance and fitting instructions.

Söll Vi-Go® Intermediate bracket

Manual intermediate bracket

- Holds the cable in position and prevents excessive cable movement
- Mounting on ladder rungs
- Retrofitting possible

Material: Stainless steel/
plastic

For 8 mm cable

with round steel bracket for rungs
Ø 27-38 mm

Weight: 0.3 kg/each

Part no. **24838**

with clamp for rungs
Ø 18-26 mm (figure below)

Weight 0.5 kg/each

Part no. **25388**

For 10 mm cable

with round steel bracket for rungs
Ø 27-38 mm

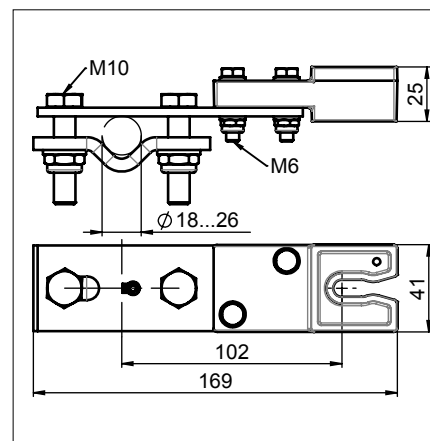
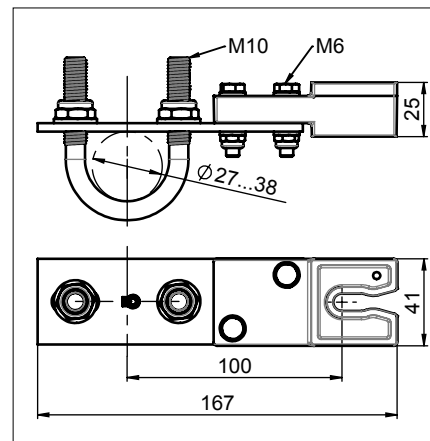
Weight: 0.3 kg/each

Part no. **24839**

with clamp for rungs
Ø 18-26 mm (figure below)

Weight 0.5 kg/each

Part no. **25988**



Söll Vi-Go® Accessories

Control ring

- Used as an indicator for swaged cable end pieces
- Swaged directly next to the cable end piece
- 25 rings in pack

Material: Stainless steel, pickled

For 8 mm cable

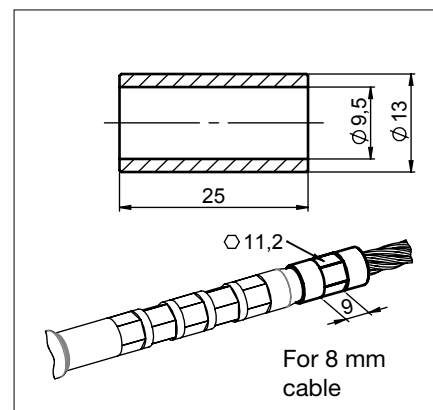
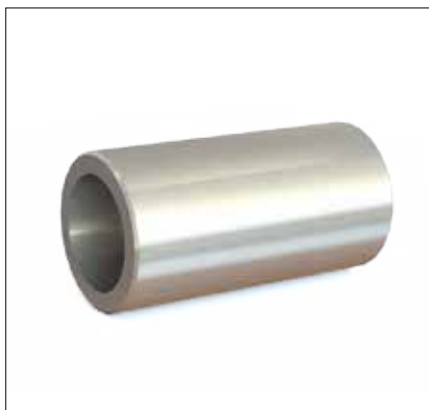
Weight: 0.3 kg/25 rings

Part no. 23168

For 10 mm cable (not shown)

Weight: 0.4 kg/25 rings

Part no. 23169

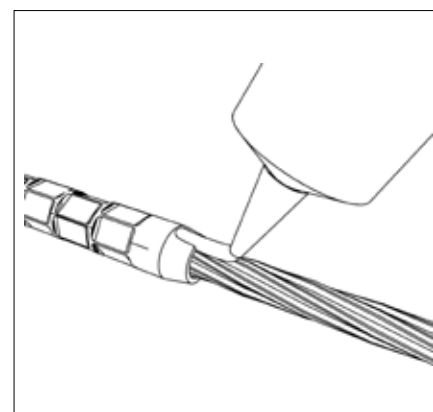


Tamper-evident paint, red

- Used as an indicator for cable end pieces
- Easy application after installation
- For swaged/screwed cable end pieces

Weight: 0.03 kg/each

Part no. 17298



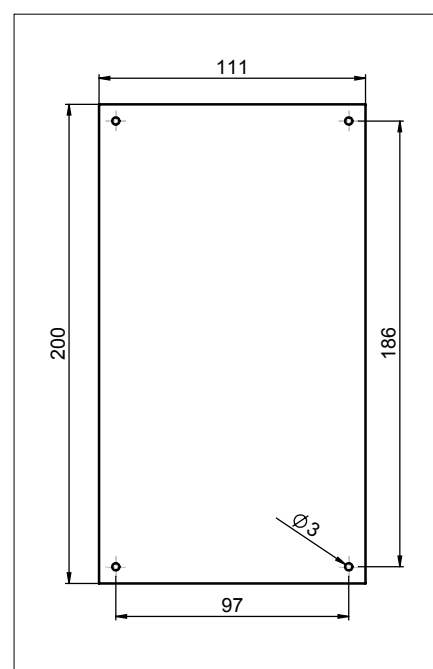
Identification plate

- For "Söll Vi-Go®" fall protection device
- Must be affixed to each access point
- Languages: D/E/F/ES

Material: Aluminium

Weight: 0.1 kg/each

Part no. 24854



Subject to technical change. Please follow our maintenance and fitting instructions.

Söll Vi-Go® Fall arresters

Söll Vi-Go fall arrester

- Complies with EN 353-1:2002;
CNB/P/11.073
- With energy-absorbing element
- For 8 mm and 10 mm
- Simple and quick use thanks to
'one-hand operation'
- Incorrect insertion is impossible
- Fall arrester manufactured from
stainless steel and aluminium

With automatic safety karabiner

Weight: 1.2 kg/each

Part no. 24836

With swivel safety karabiner

Weight: 1.3 kg/each

Part no. 24837



Söll SafeLine®

- Horizontal anchor device
- Certified according to EN 795:2012 and CEN/TS 16415:2013



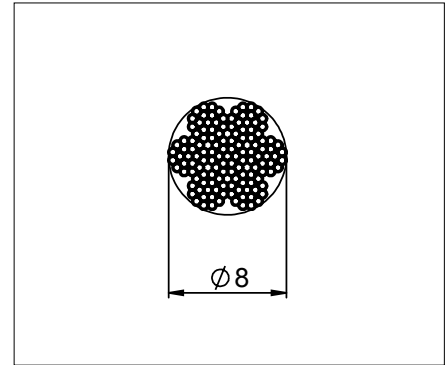
Subject to technical change. Please follow our maintenance and fitting instructions.

Söll SafeLine® Guide cable / end pieces

Guide cable

- For horizontal application
- Cable diameter 8 mm, cable design 7x19
- Maximum span 15 m
- Recommended max. cable length 200 m

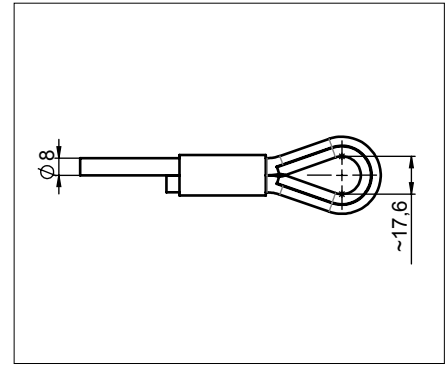
Material: Stainless steel
Weight: 0.3 kg/m
Part no. 24732



Cable swaging

- Cable end pre-assembled in factory with eye stiffener and crimp sleeve
- Must be ordered with the guide cable

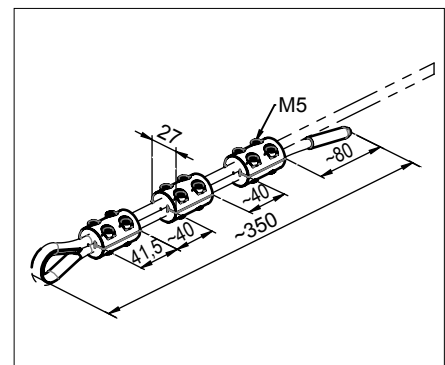
Material: Stainless steel/
copper
Part no. 24483



Cable clamps with cable eye stiffener for on-site installation

- To connect the second cable end with the cable tensioner
- Set contains: 3x cable clamps, 1x cable eye stiffener, 1x heat shrink tube

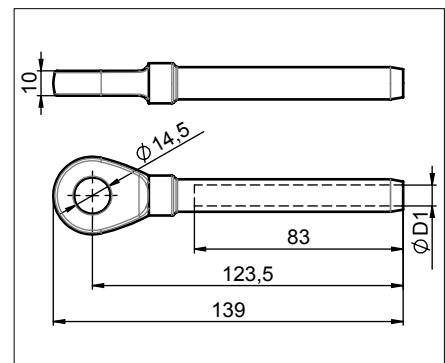
Material: Stainless steel
Weight: 0.45 kg/set
Part no. 26773



Cable end piece for swaging

- To connect the second cable end with the cable tensioner
- Cable swaging for increased safety and cable stability
- Control ring (part no. 23168) or tamper-evident paint (part no. 17298) required for check

Material: Stainless steel
Weight: 0.1 kg/each
Part no. 25124



Subject to technical change. Please follow our maintenance and fitting instructions.

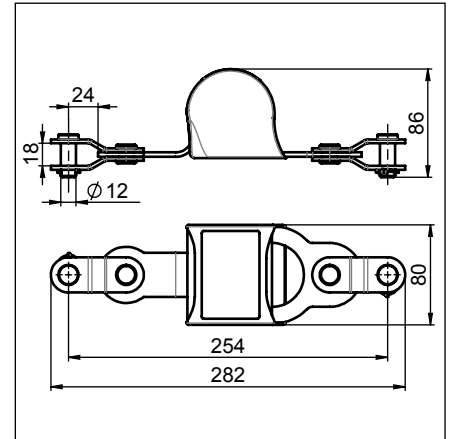
Söll SafeLine®

Energy absorber / cable tensioners

Energy absorber

- Absorbs the energy that occurs after a fall
- Load limited to 8 kN at the end anchor

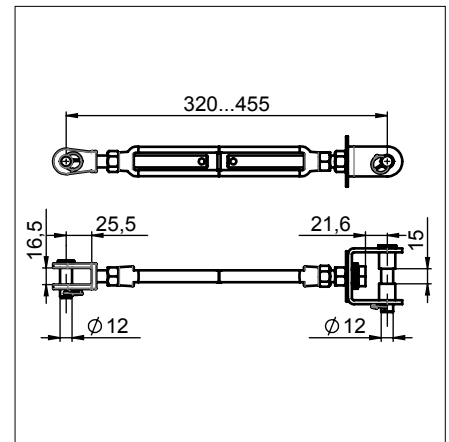
Material: Stainless steel
Weight: 2.0 kg/each
Part no. **26758**



Cable tensioner with pretensioning indicator

- To pretension the cable
- An integrated washer can be freely turned when the required pretensioning of 0.8 kN is reached

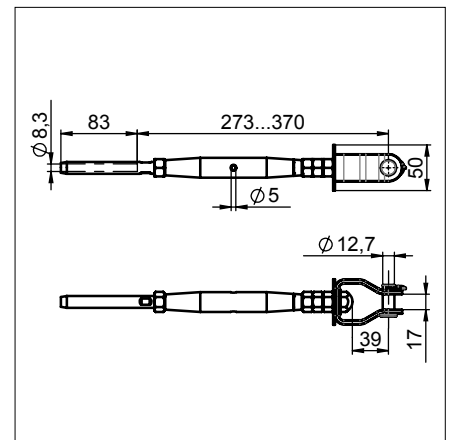
Material: Stainless steel
Weight: 0.9 kg/each
Part no. **24548**



Cable tensioner with pretensioning indicator for swaging

- To pretension the cable
- The integrated washer can be freely turned when the required pretensioning of 0.8 kN is reached
- Control ring (part no. 23168) or tamper-evident paint (part no. 17298) required for check

Material: Stainless steel
Weight: 0.7 kg/each
Part no. **26417**



Subject to technical change. Please follow our maintenance and fitting instructions.

Söll SafeLine®

Kits / intermediate brackets

Kit, large

Contains 1x:

- Energy absorber (part no. 26758)
- Cable tensioner (part no. 24548)
- Cable clamping set (part no. 26773)
- Identification plate (part no. 24564)
- Instructions for installation and use

Box dimensions: 457 x 158 x 105 mm

Weight: 3.8 kg/each

Part no. 26774



Kit, small

Contains 1x:

- Energy absorber (part no. 26758)
- Cable tensioner (part no. 24548)
- Identification plate (part no. 24564)
- Instructions for installation and use

Box dimensions: 457 x 158 x 105 mm

Weight: 3.3 kg/each

Part no. 26964



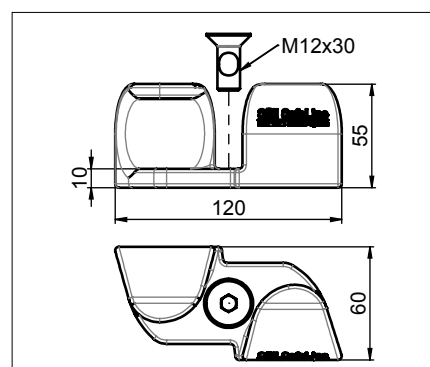
Intermediate bracket

- Crossing over possible without disconnecting from the anchor device
- Max. permissible bracket distance 15 m
- Can be mounted:
 - on posts
 - on the wall
 - on the floor
- Incl. mounting screw M12x30

Material: Stainless steel

Weight: 0.8 kg/each

Part no. 27152



Installation example:

Note! Overhead installation is NOT permitted!



Subject to technical change. Please follow our maintenance and fitting instructions.

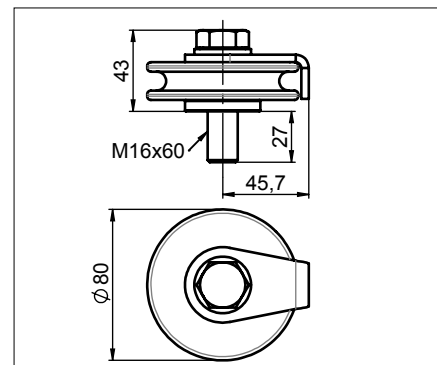
Söll SafeLine®

Curves / end plate

Curve

- Cable can be bent up to 90°
- Screw dimension M16
- Can be mounted:
 - on suitable posts (see chapter K)
 - on a suitable support structure
- To cross over, the karabiner must be removed from the cable

Material: Stainless steel/
aluminium
Weight: 0.4 kg/each
Part no. **24534**

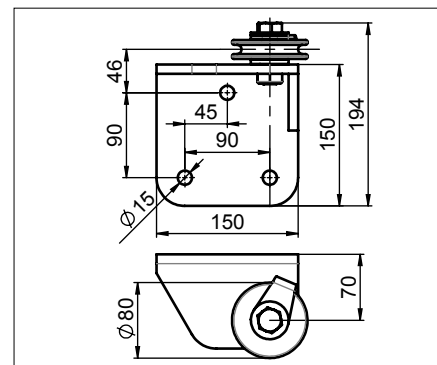


Inside curve

- Cable can be bent up to 90°
- Mounting on inside building corners
- To cross over, the karabiner must be removed from the cable

Material: Steel, hot-dip
galvanised
Weight: 3.3 kg/each
Part no. **26179**

Stainless steel available upon request

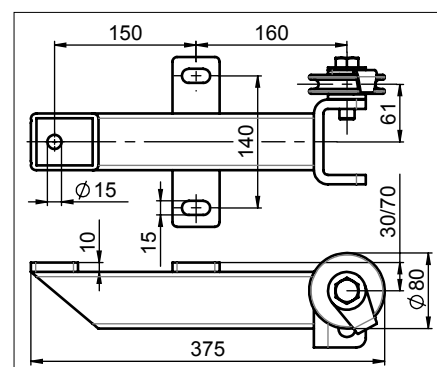


Inside/outside curve

- Cable can be bent up to 90°
- Mounting on inside and outside building corners
- To cross over, the karabiner must be removed from the cable

Material: Steel, hot-dip
galvanised
Weight: 4.7 kg/each
Part no. **26180**

Stainless steel available upon request

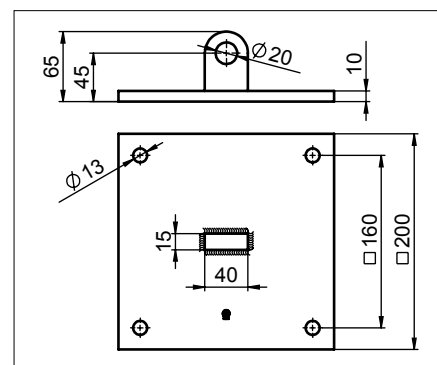
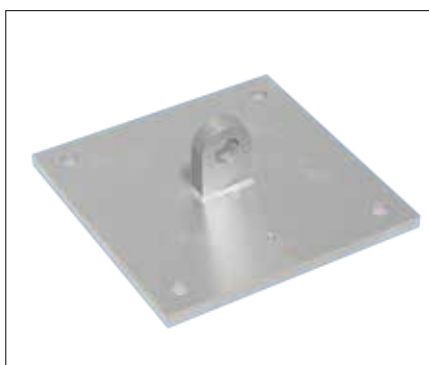


End plate

- Can be mounted:
 - on the wall
 - on the floor
- Energy absorber or cable tensioner can be directly attached

Material: Stainless steel,
pickled
Weight: 3.4 kg/each
Part no. **24546**

Material: Steel, hot-dip
galvanised
Weight: 3.4 kg/each
Part no. **24442**



Subject to technical change. Please follow our maintenance and fitting instructions.

Söll SafeLine® Accessories

Identification plate

- For Söll SafeLine anchor devices
- Must be affixed to each access point
- Languages D/E/F/IT

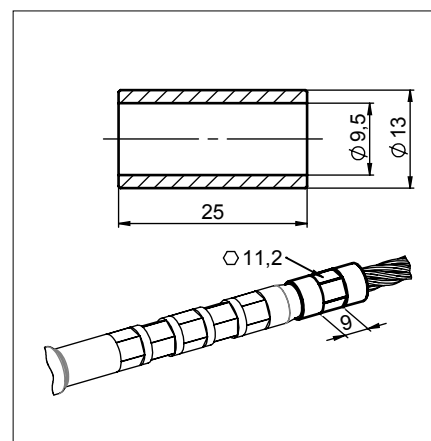
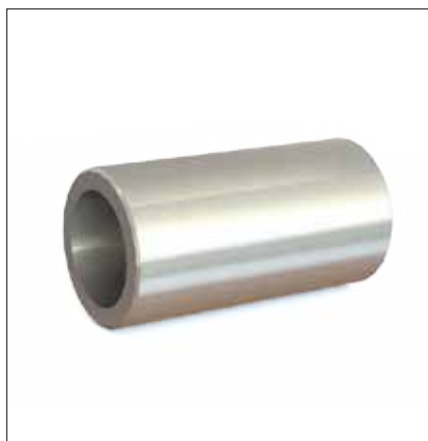
Material: Aluminium
Weight: 0.1 kg/each
Part no. 24564



Control ring

- Used as an indicator for swaged cable end pieces
- Swaged directly next to the cable end piece
- 25 pieces in pack

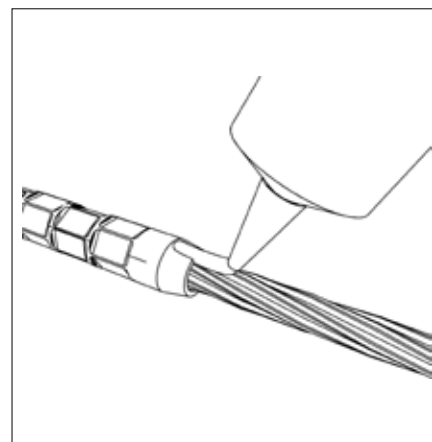
Material: Stainless steel, pickled
Weight: 0.3 kg/25 pieces
Part no. 23168



Tamper-evident paint, red

- Used as an indicator for cable end pieces
- Easy application after installation
- For swaged/screwed cable end pieces

Weight: 0.03 kg/each
Part no. 17298



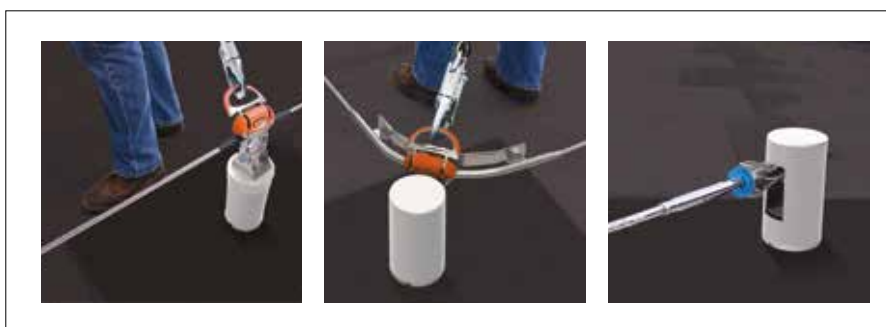
Söll ShockFusion® is available for Miller trained professional installers only.

For Training please contact:
+49 (0) 9281 8302 0 and Email: scs-hof@honeywell.com

Söll Shockfusion® Horizontal Lifeline System

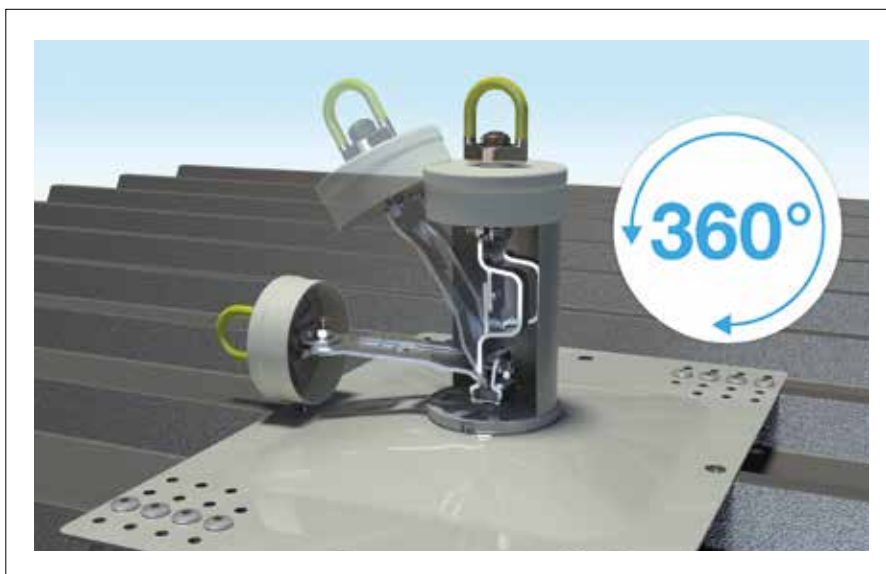
Designed for light weight industrial and commercial roof applications.

- Unique engineered Söll ShockFusion® design :
 - Successfully tested for spans up to 20 m
 - Designed for up to 6 users (with max. 4 users within the same span)
- Maintains a safe connection to a variety of roof structures : membrane, standing seam, trapezoidal metal sheeting, concrete.
- Conforms to EN795 Class C.



Söll Fusion® Roof Anchor Post

Söll Fusion single anchor point absorbs energy and keeps forces close to the roof surface. The single anchor point is tested for connecting up to 2 people. Söll Fusion Roof Anchor Post conforms to EN795 Class A.



Subject to technical change. Please follow our maintenance and fitting instructions.

Söll Xenon® is available for Miller trained professional installers only.

For Training please contact:
+49 (0) 9281 8302 0 and Email: scs-hof@honeywell.com

Söll Xenon® 2.0

Horizontal Lifeline System

Designed for industrial applications (crane runways, loading bays...) and roofing.

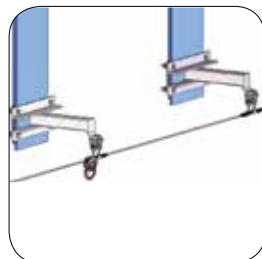
Söll Xenon is a high quality, durable system made of corrosion resistant stainless steel and is ideally suited to industrial applications like working on crane runways, loading bays and roofs. It's also very appropriate for water and food industry sectors.

It provides fall protection for up to seven workers across a maximum span of 20m (1X19 cable, 8mm wide), depending on the line configuration.

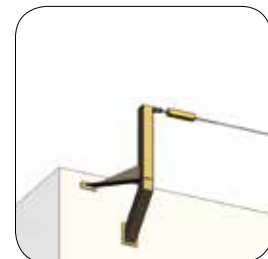
The Söll Xenon system can be installed on posts at the bottom level with dedicated components like intermediate brackets and curves for smooth sliding of the standard shuttle.

The system can also be installed for overhead usage with dedicated components like overhead intermediate brackets and curves as well as an overhead shuttle allowing for heavy usage with self retractable lifelines up to 20kg.

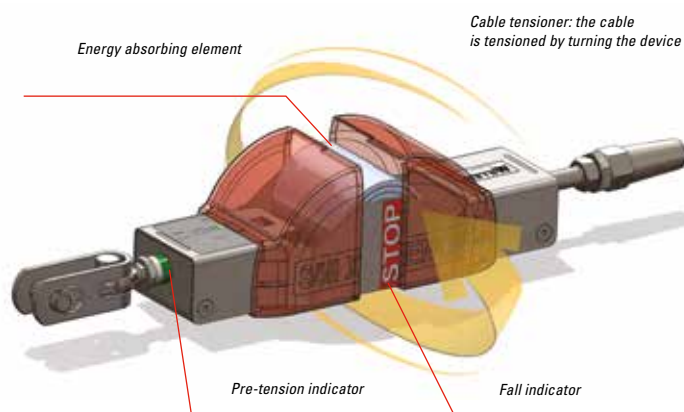
- Guarantees structural integrity and protects up to seven workers
- The standard and overhead shuttles have excellent sliding performance
- Conforms to EN 795:2012 standard



Clamp attachment on metal structure



Wall attachment with specially tailored post



Subject to technical change. Please follow our maintenance and fitting instructions.

Anchor Points and Söll Universal Posts

- Anchor points certified according to EN 795



Subject to technical change. Please follow our maintenance and fitting instructions.

Anchor points

Söll T-anchor

- Certified acc. to EN 795/EN 50308
- Approved for simultaneous use by two people
- Anchor eye marked yellow
- Support structure must be checked to ensure sufficient strength

Material: Steel,
hot-dip galvanised

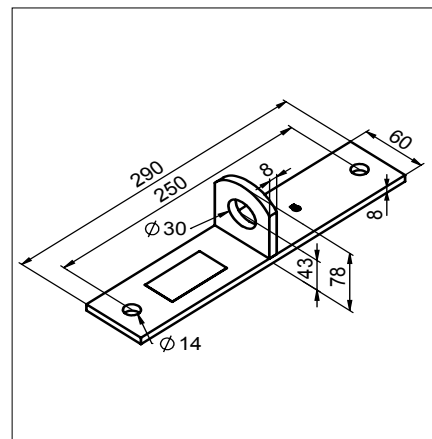
Weight: 1.4 kg/each

Part no. **24787**

Material: Stainless steel,
pickled

Weight: 1.3 kg/each

Part no. **24788**



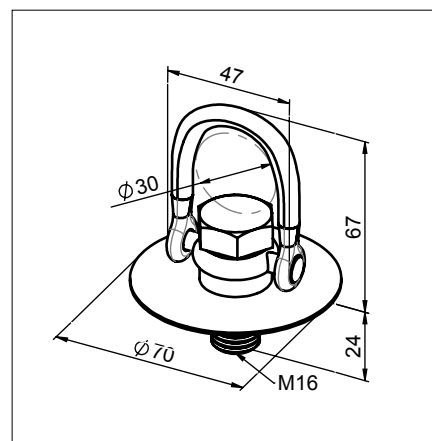
Söll Eye Anchor

- Certified acc. to EN 795/EN 50308
- Approved for simultaneous use by two people
- Pivotal and swivelable
- Support structure must be checked to ensure sufficient strength
- Screw is **not** included in delivery

Material: Stainless steel,
pickled

Weight: 0.1 kg/each

Part no. **25779**



Söll Anchor Eye

- Certified acc. to EN 795/EN 50308
- Approved for simultaneous use by two people
- Swivelable by 360°
- Support structure must be checked to ensure sufficient strength
- With mounting elements

Material: Stainless steel,
pickled

For mounting with M12

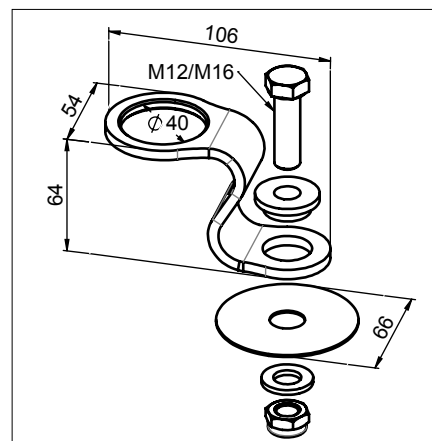
Weight: 0.3 kg/each

Part no. **25654**

For mounting with M16

Weight: 0.4 kg/each

Part no. **25652**



Subject to technical change. Please follow our maintenance and fitting instructions.

Anchor points

Söll Turn Eye

- Certified acc. to EN 795/EN 50308
- Approved for simultaneous use by two people
- Swivelable by 360°
- Support structure must be checked to ensure sufficient strength
- With mounting screw

For mounting with M12

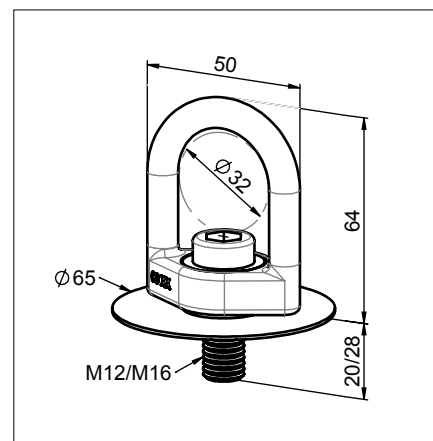
Material: Stainless steel, pickled
Weight: 0.2 kg/each

Part no. **26086**

For mounting with M16

Material: Stainless steel, pickled
Weight: 0.2 kg/each

Part no. **25758**



Söll RAP

- Removable anchor point
- Certified acc. to EN 795
- Approved for simultaneous use by two people
- The anchor eyebolt can be removed and reinserted into the anchor socket by pressing the unlock button
- The eyebolt can swivel and pivot
- Injection mortar is required to fit the anchor socket
- A plastic cap is included in the delivery with the anchor socket

Material: Stainless steel, pickled



Söll RAP eyebolt

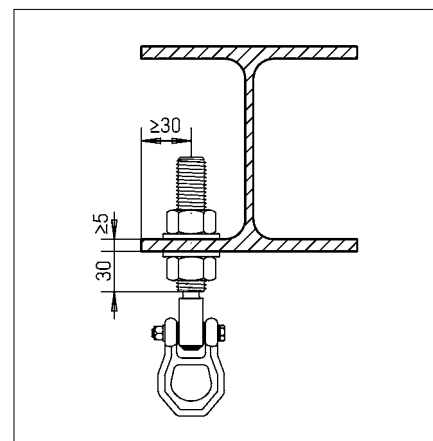
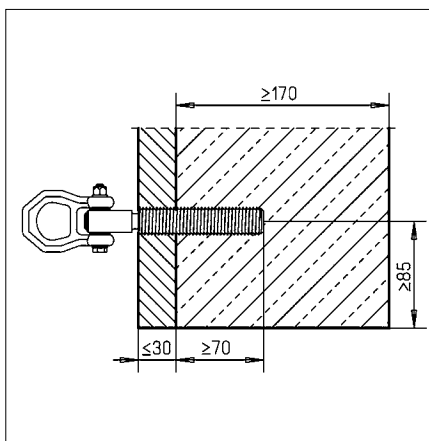
Weight: 0.2 kg/each

Part no. **23876**

Söll RAP anchor sockets

Thread: M22

Part no.	Length	Weight
23875	100 mm	0.2 kg
23951	125 mm	0.3 kg
23952	200 mm	0.4 kg
23953	250 mm	0.5 kg



Subject to technical change. Please follow our maintenance and fitting instructions.

Anchor points

Accessories

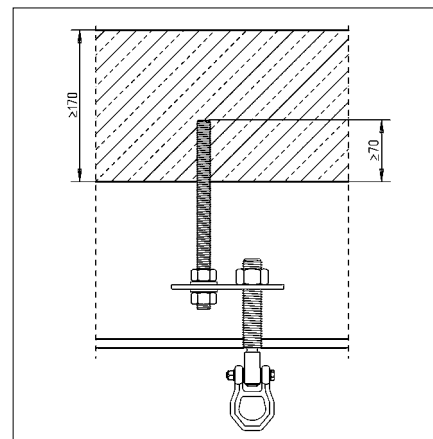
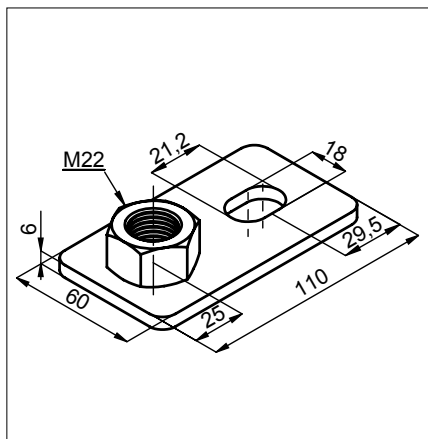
Söll RAP lug

- For mounting with suspended ceilings

Material: Stainless steel, pickled

Weight: 0.4 kg/each

Part no. **23955**



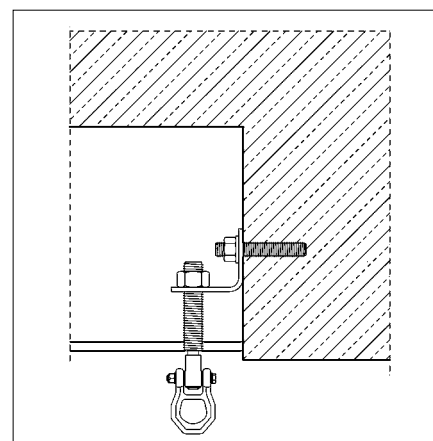
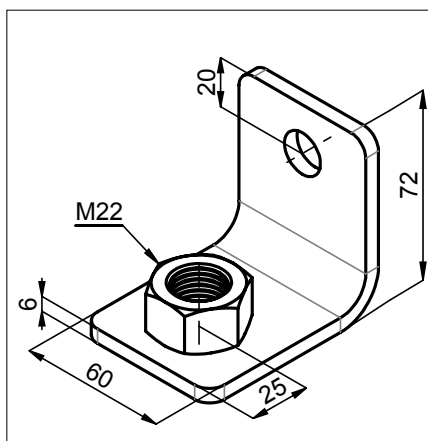
Söll RAP angle bracket

- For mounting to walls with suspended ceilings

Material: Stainless steel, pickled

Weight: 0.5 kg/each

Part no. **23954**



Threaded rod M16

- For mounting the lug/angle bracket
- Complete with nuts and washers

Material: Stainless steel, pickled

Length **330 mm**

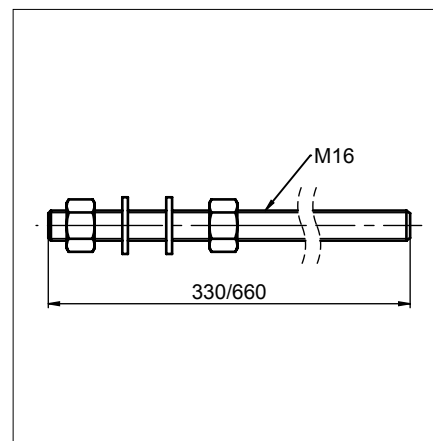
Weight 0.5 kg/each

Part no. **24042**

Length **660 mm**

Weight 0.6 kg/each

Part no. **24041**



Subject to technical change. Please follow our maintenance and fitting instructions.

Anchor points

Söll WAP - wall anchorage point

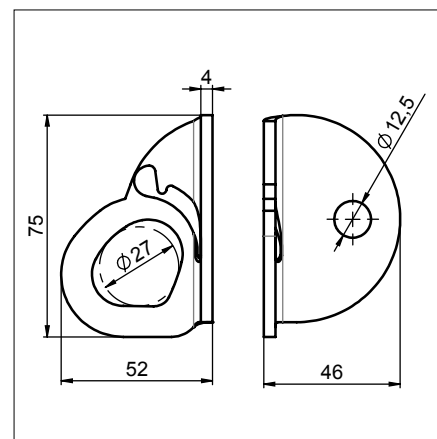
- Certified acc. to EN 795
- Approved for one person
- With integrated load indicator that triggers at a load > 3.5 kN
- For mounting on steel structures or in uncracked concrete
- Comes with a compound anchor

Material: Stainless steel, pickled

Weight: 0.3 kg/each

Without mounting elements

Weight: 0.1 kg/each



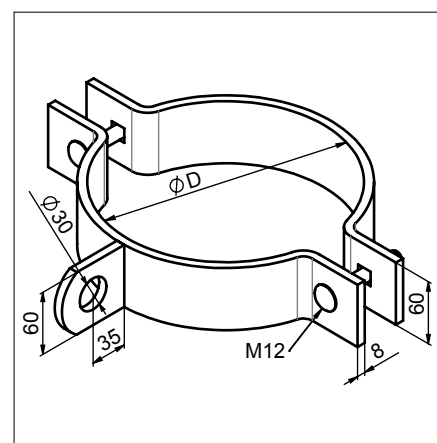
Söll MAP - clamp with eye

- Certified acc. to EN 795
- Mast diameter:
Min. 60 mm
Max. 300 mm
- Complete with all mounting elements
- Please indicate the exact mast diameter when placing the order

Material: Steel, hot-dip galvanised

Weight: Depends on size

Part no. **BS-OESE-<Øinmm>**



Safety ring

- Certified acc. to EN 795
- Mast diameter:
Min. 60 mm
Max. 1,600 mm
- Complete with all mounting elements
- Please indicate the following required information:
 - Segment size (90°, 180°, 270° or 360°)
 - Mast diameter D

Material: Steel, hot-dip galvanised

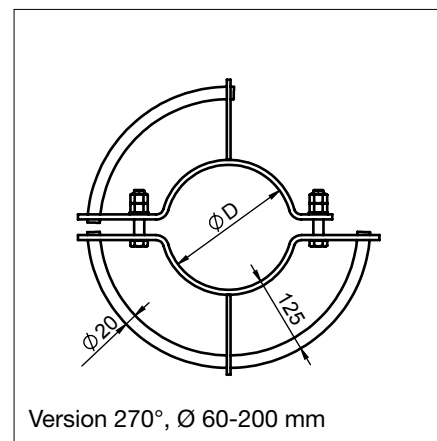
Weight: Depends on size

Part no. **SR-<segment size>-<Ø in mm>**

Customised versions available upon request



Version 360°, Ø 60-200 mm



Version 270°, Ø 60-200 mm

Subject to technical change. Please follow our maintenance and fitting instructions.

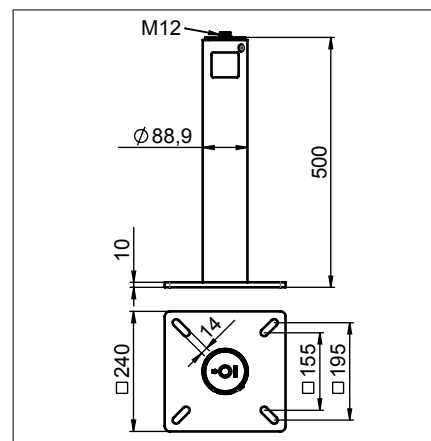
Söll universal posts M12/M16

Söll Universal post M12

- For mounting anchor points or intermediate brackets for anchor devices
- Height: 500 mm
- Comes with one M12 bolt
- On-site mounting with M12

Material: Steel,
hot-dip galvanised
Weight: 8.3 kg/each
Part no. **26887**

Material: Stainless steel,
pickled
Weight: 8.3 kg/each
Part no. **26922**

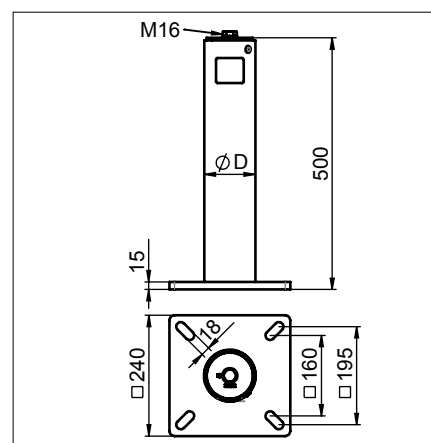


Söll Universal posts M16

- For mounting end brackets and curves for anchor devices
- Height: 500 mm
- Comes with one M16 bolt
- On-site mounting with M16

Material: Steel, hot-dip
galvanised
øD: 101.6 mm
Weight: 11.5 kg/each
Part no. **26904**

Material: Stainless steel,
pickled
øD: 88.9 mm
Weight: 11.5 kg/each
Part no. **26923**



Installation examples



Söll universal posts

Accessories

Counterplate

- For clamping posts to support structures
- Suitable for support widths 120 - 168 mm

Material: Steel, hot-dip galvanised

For Söll Universal post M12

Weight: 3.9 kg/each

Part no. 27246

For Söll Universal post M16

Weight: 3.8 kg/each

Part no. 27161

Material: Stainless steel, pickled

For Söll Universal post M12

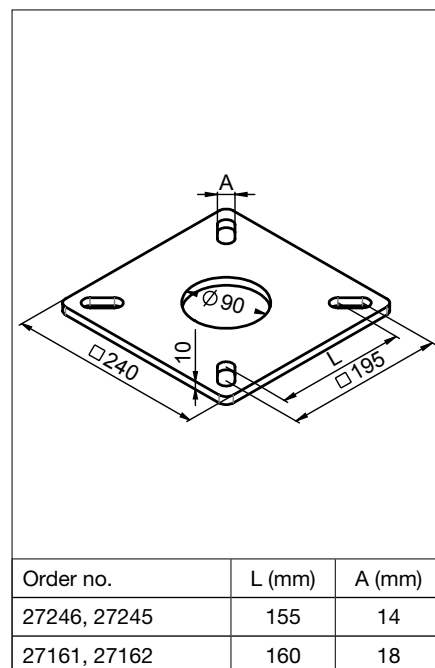
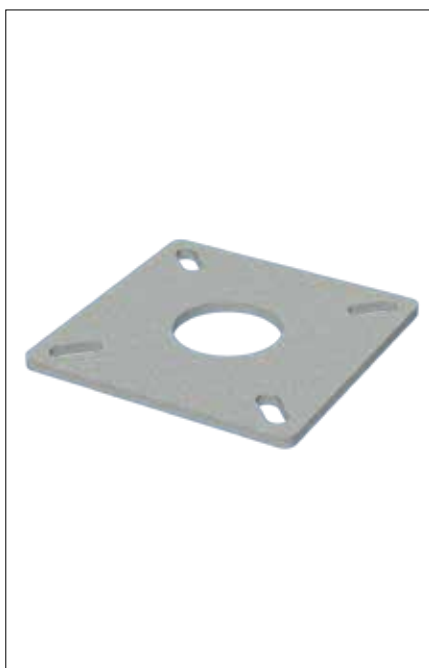
Weight: 3.8 kg/each

Part no. 27245

For Söll Universal post M16

Weight: 3.8 kg/each

Part no. 27162



Clamping set for posts

- For clamping posts to support structures
- Suitable for support widths 120 - 168 mm
- Set contains: 4x threaded rods including mounting material
- Please indicate the following required information:
 - Support width W
 - Clamping height H
- Threaded rods can be shortened individually

Material: Stainless steel, pickled

For Söll Universal post M12

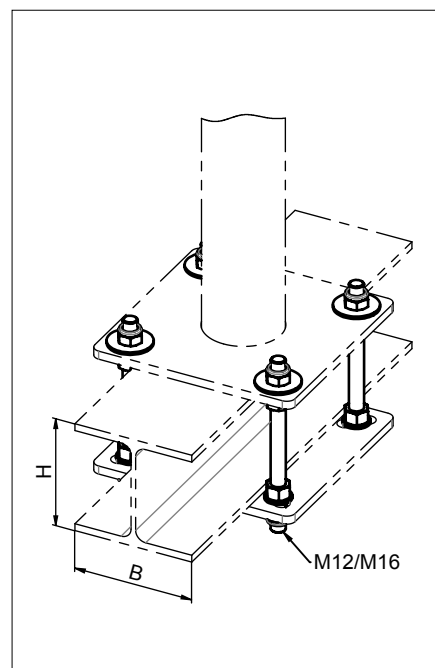
Weight: Depends on size

Part no. 27402

For Söll Universal post M16

Weight: Depends on size

Part no. 27406



Subject to technical change. Please follow our maintenance and fitting instructions.

Training Courses

- Fall Protection Training to meet your needs



Subject to technical change. Please follow our maintenance and fitting instructions.

Make working at height the safest place on Earth

Every day workers at height across Europe expose themselves to the greatest single cause of fatalities in industry - falls. Employers must provide training for employees who work in high risk environments. Honeywell is proud to offer fall protection and rescue training courses that will instruct your employees to work smarter, safer and more efficiently every day. Our safety experts implement behavior-based programs that enable efficient organizational learning and adoption of best practices.

- **What do we teach?**

Honeywell "Fall Protection" and "Rescue at height" training courses are designed for all workers at height, supervisors and safety managers. The courses are for workers in specific applications or environments, such as telecommunications and wind energy, or teaching access and rescue skills that can be used generically for many different industries.

- **Who will deliver the course?**

Courses are delivered by the Honeywell team of industrial safety trainers and fall protection professionals. All instructors are experts with in-depth knowledge of height safety and rescue techniques coupled with a firm understanding of industrial needs.

- **Where are the courses delivered?**

Courses are primarily delivered onsite with practical exercises designed to meet your site requirements. We can also deliver courses at our Honeywell Safety Products training facility located in Northampton (UK), Hof (Germany) and Vierzon (France).

- **Pre-course requirements**

Most courses are physically demanding - delegates will wear

harnesses, climb and perform tasks at height. Delegates on practical courses will be required to declare they are medically fit to complete the training and Honeywell Safety Products reserves the right to preclude anyone who could put themselves or others at risk during training. Delegates attending rescue training must be in the possession of a current Fall Protection or Industrial Climber certificate. Workers who require rescue at height skills must ensure they are fully competent to climb before attending a rescue programme. Honeywell can provide both courses separately or provide learning solutions which enable both to be delivered simultaneously.

- **Course safety**

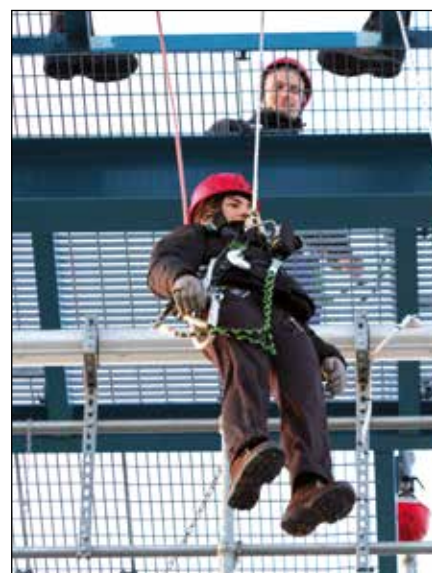
Your safety is paramount. Risk assessments will be provided and all practical training is conducted under close supervision of the instructor. All rescue training is carried out using an additional safety rope or a mannequin for your security.

- **Personal fall protection equipment**

Our training uses the Honeywell Safety Products product range unless you supply your own. Please indicate if you wish to use your own equipment at the time of booking. Note: all equipment must have been inspected by a competent person within six months of the course date. Your instructor will ask to see the inspection record for your equipment before the training commences.

- **A complete range of services**

Honeywell service and solutions centres provide operational services such as inspection and repair, technical support and site surveys plus permanent anchorage system installation through our installer network. Do not hesitate to contact us for more information. Technical support is provided through Honeywell Techniserv teams.



Subject to technical change. Please follow our maintenance and fitting instructions.

Training centres

• **UK: Northampton**

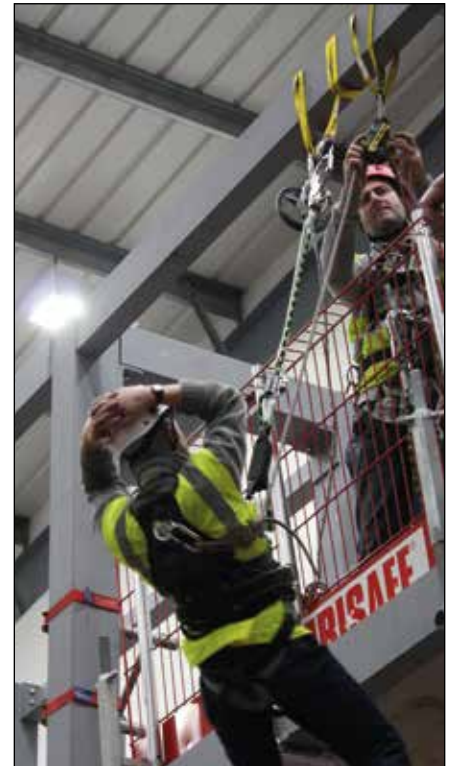
The Northampton training centre is ideally located on the M1 and focused on industrial fall protection and temporary collective protection systems for construction. The facilities are all indoors, with extensive practical areas that are used for a wide variety of access and rescue situations.

• **GERMANY: Hof**

The Hof training centre and staff are experts in training for the telecommunications and wind energy industries. The site facilities include an 18m outdoor telecoms tower and a dedicated wind energy simulator, plus indoor facilities for tower climbing and flat roof access.

• **FRANCE: Vierzon**

The Vierzon training centre offers a wide range of courses for various work situations in a building of more than 500m² equipped with for example : roofs, loading bays, posts, pylons, scaffolds, confined spaces and more.



HONEYWELL AT A GLANCE

Honeywell is a global manufacturer of head-to-toe personal protective equipment (PPE).

Honeywell is focused on delivering innovative safety solutions for high-risk environments, allowing workers in all industries to perform their jobs with greater confidence.

With its focus on innovation and continuous product development, it also helps businesses comply with emerging safety legislation and standards.

Lead them to safety – Build an enduring culture of safety where employees make safe choices on their own: <http://honeywellsafety.com>



Subject to technical change. Please follow our maintenance and fitting instructions.

For more information contact:

SYSTEM CUSTOMER SERVICE

For technical questions and orders:

Northern and Central Europe, Italy

Phone: +49 (0) 9281 8302 0

Email: scs-hof@honeywell.com

France, Spain, Portugal, North Africa

Phone: +33 (0)2 48 53 08 97

Email: lignedevie.hsp@honeywell.com

HONEYWELL SAFETY PRODUCTS

UNITED KINGDOM

Honeywell Safety Products UK LTD

Phone: +44 (0) 1256 693 200

Fax: +44 (0) 1256 693 300

Email: info-uk.hsp@honeywell.com

BELGIUM

Honeywell Safety Products Benelux BV

Phone: +32 (0)2 728 2117

Fax: +32 (0)2 728 2396

Email: info-benelux.hsp@honeywell.com

THE NETHERLANDS

Honeywell Safety Products Benelux BV

Phone: +31 (0) 118 656 400

Fax: +31 (0) 118 627 535

Email: saleshspb@honeywell.com

ITALY

Honeywell Safety Products Italia SRL

Phone: +39 0382 812111

Fax: +39 0382 84113

Email: info-italia.hsp@honeywell.com

NORDIC

Honeywell Safety Products Nordic AB

Phone: +46 42 88 200

Fax: +46 42 73 968

Email: info-nordic.hsp@honeywell.com

POLAND

Honeywell Sp. z o. o.

Phone: +48 12 656 57 31

Fax: +48 12 656 14 54

Email: info-poland.hsp@honeywell.com

HUNGARY

Honeywell Safety Products Hungária KFT

Phone: +36 1 451 44 04 (4376, 4393)

Fax: +36 1 451 43 43

Email: info-hungary.hsp@honeywell.com

MIDDLE EAST

Honeywell Safety Products Dubai UAE

Phone: +971 4 450 5800

Fax: +971 4 450 5900

Email: hsp-meai@honeywell.com

RUSSIA – CIS – MONGOLIA

Honeywell Safety Products

ZAO Honeywell

Phone: +7 495 980 9910

Fax: +7 495 796 9800

Email: info-russia.hsp@honeywell.com

INTERNATIONAL

Honeywell Safety Products Europe SAS

Phone: +33 (0)1 49 90 79 79

Fax: +33 (0)1 49 90 71 04

Email: info-export.hsp@honeywell.com

www.honeywellsafety.com



by Honeywell

DOC3928 GB - 01/2015

© 2015 Honeywell International Inc.

Lead them to safety – Build an enduring culture of safety through comprehensive education, innovative technologies, and comfortable, high-performance products. Honeywell Safety Products is the ideal partner for a cultural transformation that inspires workers to make safer choices on their own.

Honeywell