

# Söll GlideLoc® Aluminium Ladders

- Vertical fall protection system
- Certified according to EN 353-1:2002 and CNB/P/11.073



Subject to technical change. Please follow our maintenance and fitting instructions.

# Söll GlideLoc<sup>®</sup> Aluminium ladders

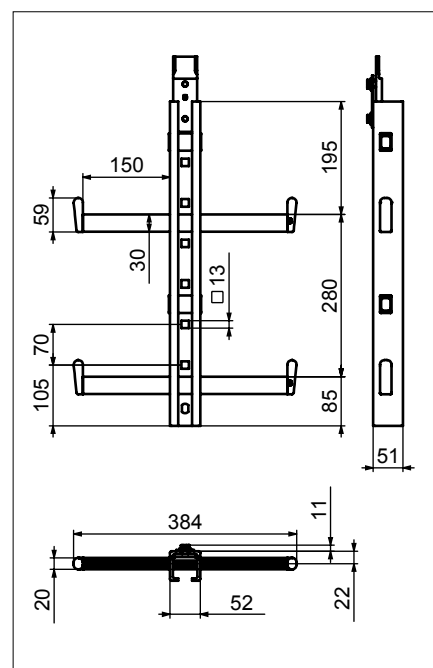
## Y-spar

- Profile 52 x 51 mm
- With connector
- Mounting distance: recommended 1,400 mm - max. 1,680 mm
- The bracket is mounted to the ladder through the rectangular cut-outs in the back of the guide rail or through the guide rail catch bar
- Max. section length 4,480 mm
- Rung distance 280 mm
- Step width per side 150 mm

Material: Anodised aluminium

Weight: 3.2 kg/m

Part no. YAL-<ladder length in mm>



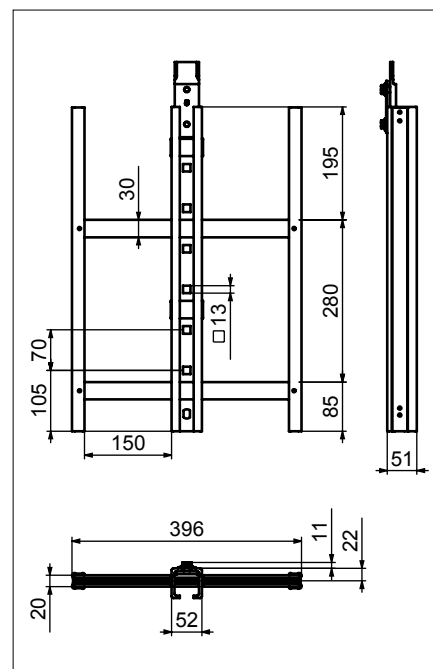
## Twin ladder

- With side rails
- Profile 52 x 51 mm
- With connector
- Mounting distance: recommended 1,400 mm - max. 2,240 mm
- The bracket is mounted to the ladder through the rectangular cut-outs in the back of the guide rail or through the guide rail catch bar
- Max. section length 4,480 mm
- Rung distance 280 mm
- Step width per side 150 mm

Material: Anodised aluminium

Weight: 3.5 kg/m

Part no. ZAL-<ladder length in mm>



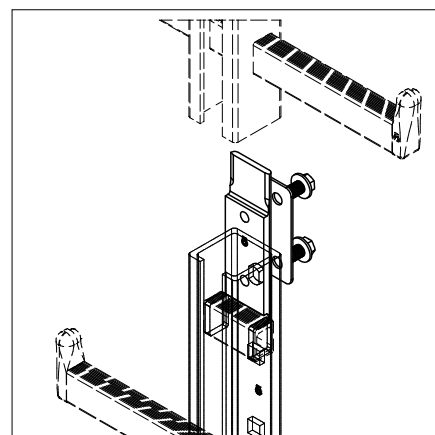
Subject to technical change. Please follow our maintenance and fitting instructions.

# Söll GlideLoc® Aluminium ladders

## Connector

- With safety cover plate
- To connect Y-spar ladders
- Complete with all mounting elements
- Included in the delivery of each Y-spar ladder
- Must be used when an existing Y-spar ladder is cut and reconnected

Material: Anodised aluminium  
Weight: 0.1 kg/each  
Part no. 17440



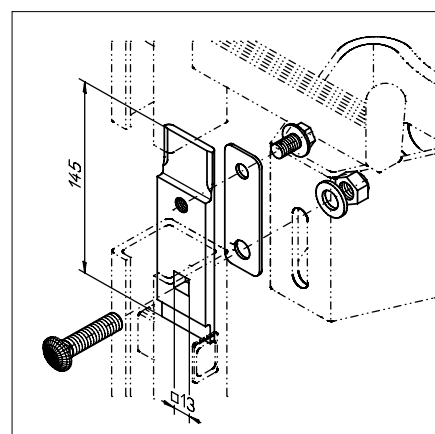
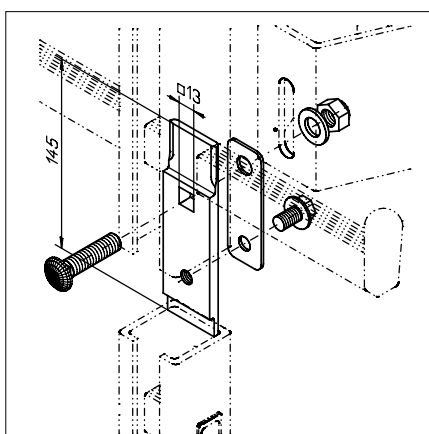
## Connector with square hole

- With safety cover plate
- To connect Y-spar ladders
- Can be used in connection with mounting bracket
- Recess in Y-spar ladder must be increased to accommodate size M12
- Complete with all mounting elements

Material: Anodised aluminium  
Weight: 0.22 kg/each

Upper square mounting hole  
Part no. 21458

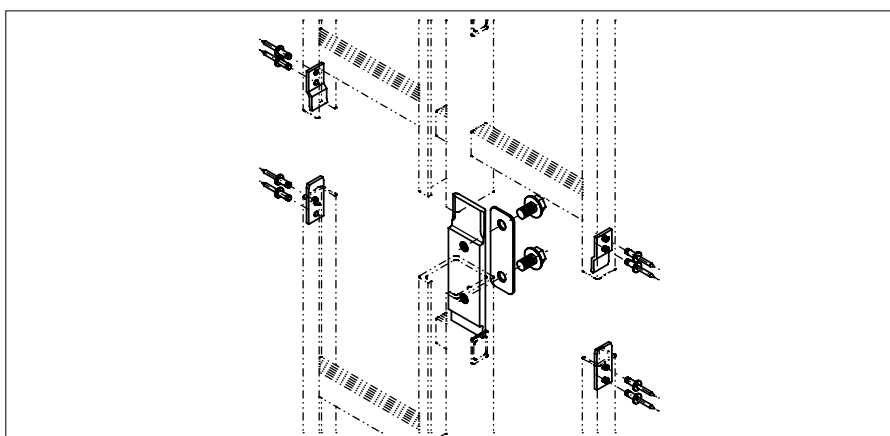
Lower square mounting hole  
Part no. 22096



## Set of connectors

- To connect twin ladders
- Complete with all mounting elements
- Included in the delivery of each twin ladder
- Must be used when an existing twin ladder is cut and reconnected

Material: Anodised aluminium  
Weight: 0.25 kg/each  
Part no. 21876



Subject to technical change. Please follow our maintenance and fitting instructions.

# Söll GlideLoc® Aluminium ladders

## Replacement rung

- To replace damaged rungs on Y-spar and twin ladders
- Includes one rung and mounting material

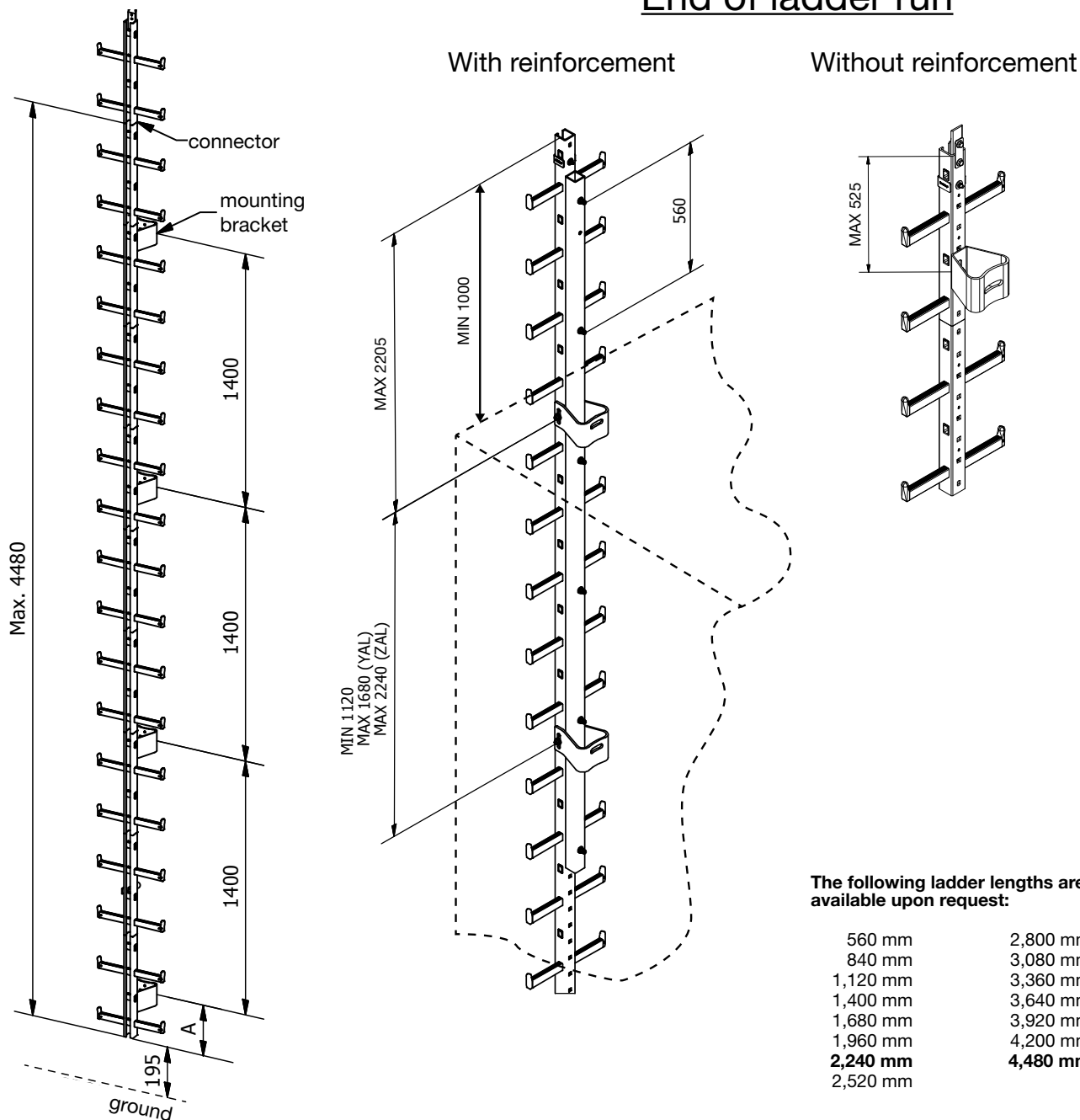
Material: Anodised aluminium  
Weight: See table  
Part no. See table



Ladder type	Rung width in mm	Weight in kg/each	Part no.
Y-spar	150	0.35	17534
Y-spar	180	0.39	17657
Twin	150	0.29	25660
Twin	180	0.33	25661

Fixing points for aluminium Y-spar and twin ladders  
Recommended mounting distance 1,400 mm - max. 1,680 mm or 2,240 mm

## End of ladder run



**Note:**

For design reasons, the guide rail of the ladder must be reinforced if, at the end of the ladder run, the guide rail rises more than 525 mm (dimension A) above the last mounting bracket. Projections of more than 525 mm without extra reinforcement are not permitted. The guide rail reinforcement is bolted onto the guide rail from the back at a distance of 560 mm and must extend down over at least two mounting brackets. It must not extend beyond a ladder joint.

Aluminium ladders are subject to temperature-dependent variation of length, which is approximately twice the variation of supporting frameworks made of steel or concrete. In order to avoid stress on the ladder fixings, minimum gap widths should be observed for the ladder joints.

Subject to technical change. Please follow our maintenance and fitting instructions.

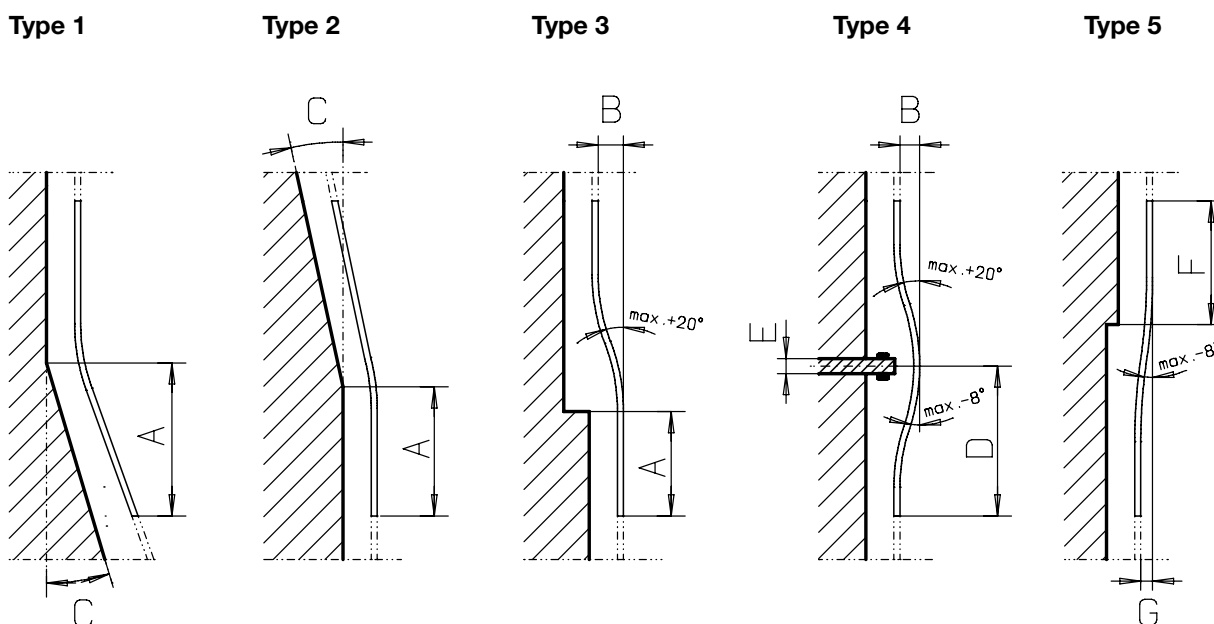
## Bending of aluminium ladders

### Required information for planning:

Bending Y-spar ladder, aluminium  
Bending twin ladder, aluminium

Part no. YAL-<type>  
Part no. ZAL-<type>

### Length of ladder section to be bent



A = Bottom edge of ladder to salient point of structure (mm)

B = Offset (mm)

C = Angle (max. 15°)

D = Bottom edge to centre of obstruction (mm)

E = Width of obstruction (mm)

F = Upper edge of ladder to offset (mm)

G = Offset (max. 260 mm)

### NB:

The smallest bending radius for aluminium ladders is 3,000 mm

The extent of the bending depends on the bending radius and angle (type 1 + 2) or offset (type 3 - 5).

The surcharge for bending is calculated by bending type and offset.

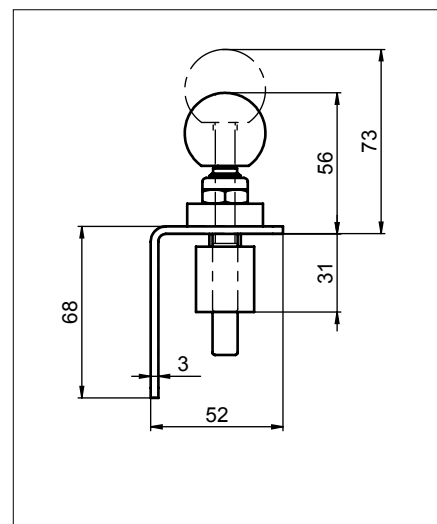
# Söll GlideLoc<sup>®</sup> aluminium ladders

## End-stops

### End-stop, top/bottom

- Prevents the fall arrester from either being inserted incorrectly or accidentally slipping out of the guide rail
- Complete with all mounting elements

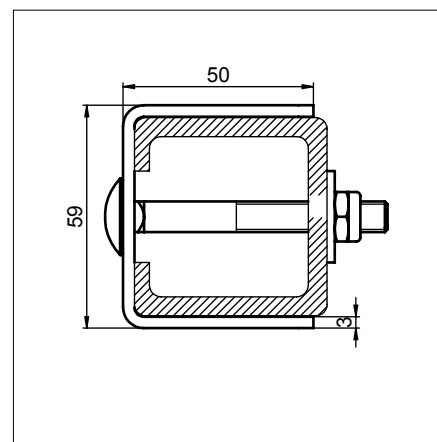
Material: Stainless steel, pickled  
Weight: 0.3 kg/each  
Part no. **26026**



### Rigid end-stop

- Prevents the fall arrester from being taken out of the guide rail
- Complete with all mounting elements

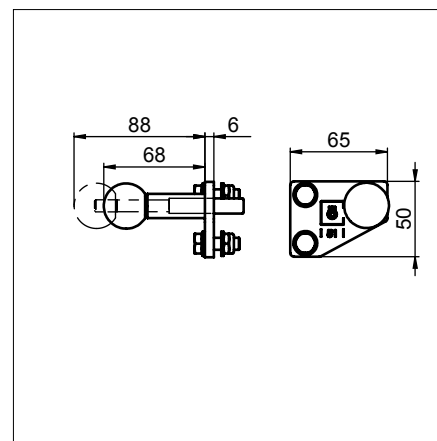
Material: Stainless steel, pickled  
Weight: 0.2 kg/each  
Part no. **11634**



### End-stop, top/bottom side

- Prevents the fall arrester from either being inserted incorrectly or accidentally slipping out of the guide rail
- Complete with all mounting elements
- Used for:
  - Ladder projection < 150 mm
  - Mounting with reinforcement

Material: Stainless steel, pickled  
Weight: 0.2 kg/each  
Part no. **27138**



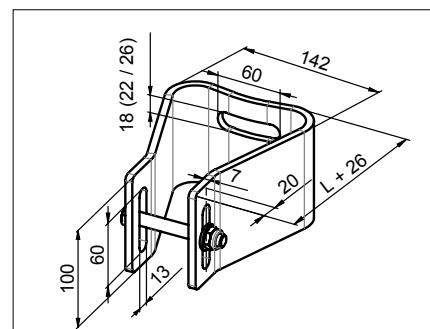
Subject to technical change. Please follow our maintenance and fitting instructions.

# Söll GlideLoc<sup>®</sup> aluminium ladders Mounting elements

## Open bracket

- Complete with mounting elements for fixing to ladder
- Wall attachment must be drilled to suit site conditions. Minimum bolt diameter M16

Material: Anodised aluminium  
Weight: See table  
Part no. See table



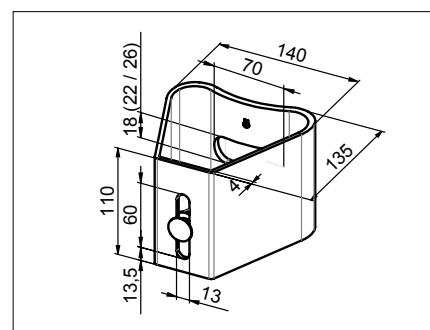
Pro-jection (mm)	Bolt diameter of structure	Weight (kg/each)	Part no.
150	M16	0.9	14673
150	M24	0.9	16874
160	M16	1.0	15141
160	M24	1.0	21233
170	M16	1.0	15143
170	M24	1.0	27127
180	M16	1.1	15146
180	M20	1.1	24735
180	M24	1.1	24682

Pro-jection (mm)	Bolt diameter of structure	Weight in kg/each	Part no.
190	M16	1.1	15148
190	M24	1.1	22072
200	M16	1.2	15150
200	M24	1.2	25237
210	M16	1.2	17352
210	M20	1.2	24736
220	M16	1.3	10519
220	M24	1.3	21375

## Closed bracket

- Complete with mounting elements for fixing to ladder
- Wall attachment must be drilled to suit site conditions. Minimum bolt diameter M16
- Variable mounting distance possible by moving and turning the bracket as required

Material: Anodised aluminium  
Weight: See table  
Part no. See table



Pro-jection (mm)	Bolt diameter of structure	Weight in kg/each	Part no.
150	M16	0.7	10566
150	M20	0.7	22246
150	M24	0.7	16867

### Note:

Projection 'L' depends on the type of bracket.

Subject to technical change. Please follow our maintenance and fitting instructions.



# Söll GlideLoc® aluminium ladders

## Mounting elements

### Closed bracket

- Complete with mounting elements for fixing to ladder
- Wall attachment must be drilled to suit site conditions. Minimum bolt diameter M16
- Variable mounting distance possible by moving and turning the bracket as required
- Projection 220 mm

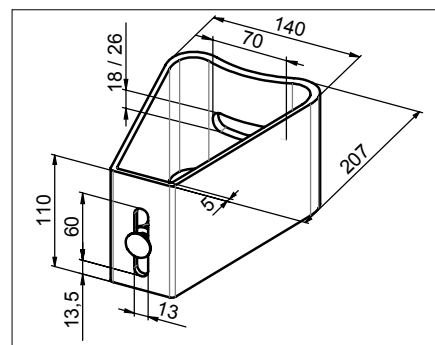
Material: Anodised aluminium  
Weight: 0.7 kg/each

#### M16

Part no. 21443

#### M24

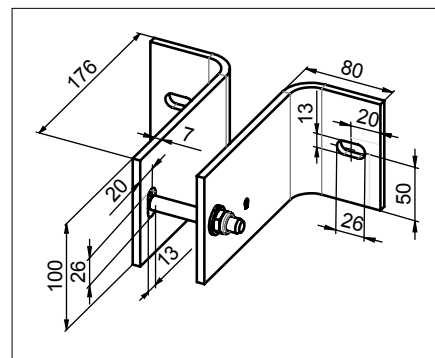
Part no. 26204



### Bracket

- Consists of two bracket halves
- Complete with mounting elements for fixing to ladder
- Wall attachment must be drilled to suit site conditions. Minimum bolt diameter 2 x M12
- Mounting distance on brickwork: 560 mm

Material: Anodised aluminium  
Weight: 0.7 kg/each  
Part no. 10521



# Söll GlideLoc® aluminium ladders

## Mounting elements

### Clamp

- Projection up to 1,000 mm possible
- Complete with mounting elements for fixing to ladder
- Please indicate the exact mast diameter 'D' and projection 'L' when placing the order
- Material thickness 'z' of clamp halves:
  - Up to Ø 210 mm 'z' = 6 mm
  - From Ø 220 mm 'z' = 8 mm
- Mast diameter:
  - Min. 60 mm
  - Max. 1,500 mm

Weight: Depends on mast diameter and projection

Material: Steel, hot-dip galvanised

Part no. **BS-STS-<Ø in mm>**

Material: Stainless steel, pickled

Part no. **BS-A4S-<Ø in mm>**

Not shown:

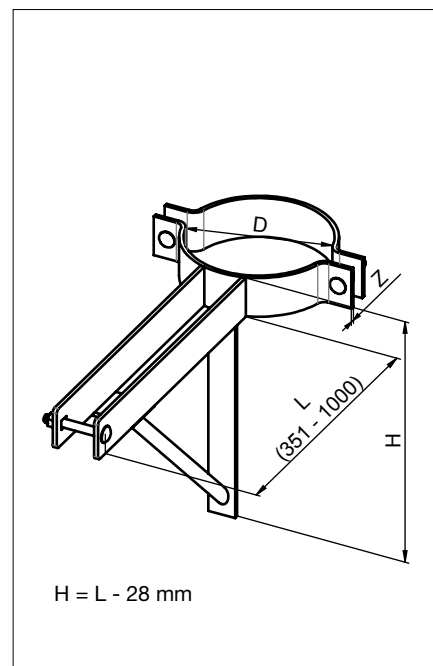
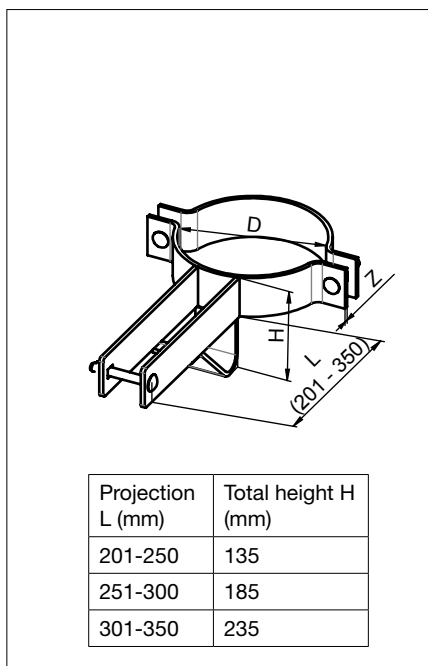
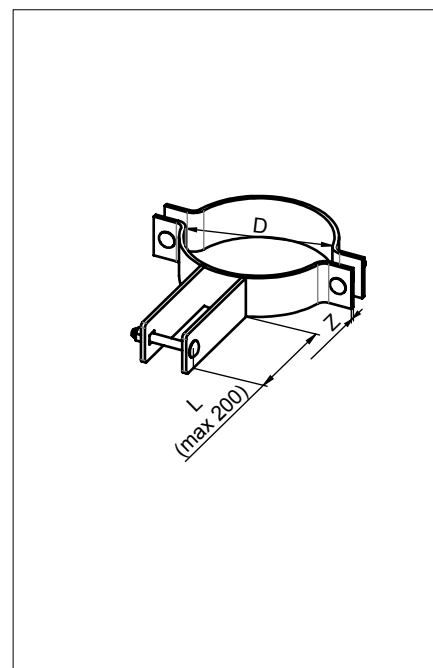
### Reinforced clamp without support strut

- Projection from 130 mm to 400 mm possible
- Mounting on catch bar
- Complete with mounting elements for fixing to ladder
- Please indicate the exact mast diameter 'D' and projection 'L' when placing the order

Weight: Depends on mast diameter and projection

Material: Steel, hot-dip galvanised

Part no. **BS-STS-<Ø in mm>VERST**



**Note:**

Projection 'L' depends on the type of bracket.

Subject to technical change. Please follow our maintenance and fitting instructions.

# Söll GlideLoc<sup>®</sup> aluminium ladders Mounting elements

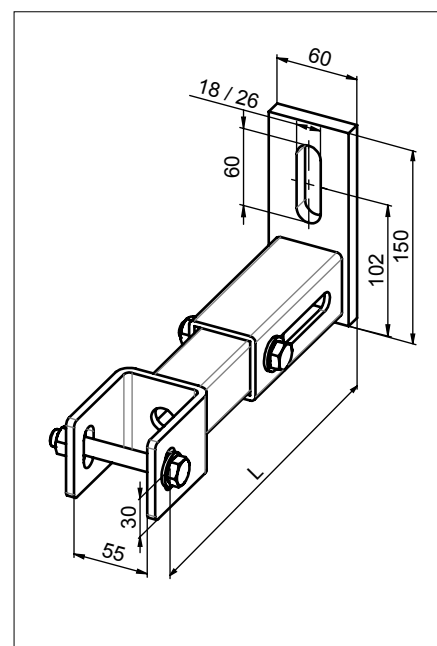
## Bracket

- With adjustable projection
- Used where ladder bends
- Mounting on catch bar
- Complete with all ladder mounting elements
- Wall attachment must be drilled to suit site conditions, minimum bolt diameter M16

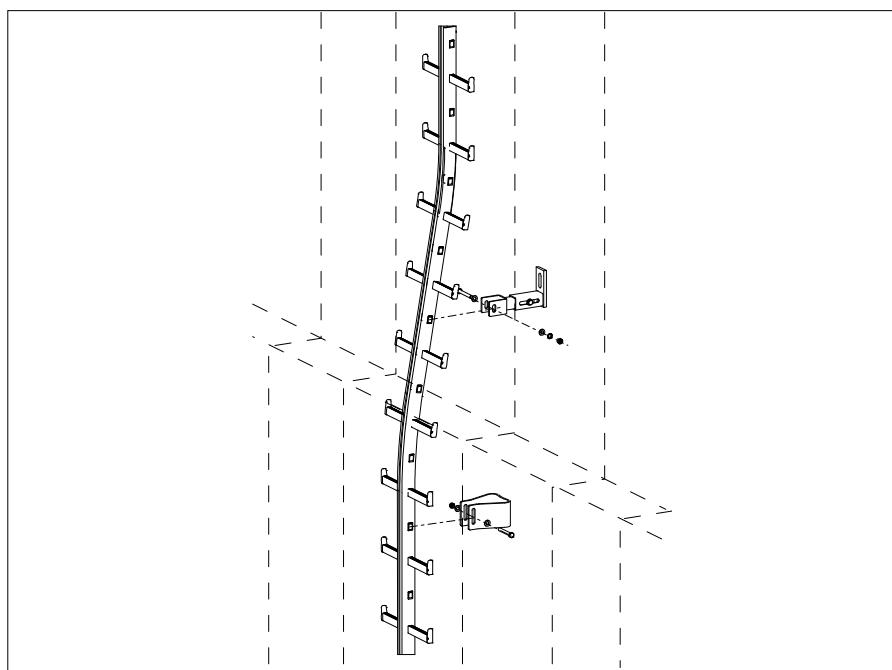
Material: Steel, hot-dip galvanised

Weight: See table

Part no. **BB VSTS**<projection in mm> (see table)



Pro-jection (mm)	Bolt diame-ter of structure	Weight (kg/each)	Part no.
200 - 275	M16	0.7	15563
200 - 275	M24	0.7	22380
276 - 350	M16	0.7	15566
276 - 350	M24	0.7	22378
351 - 425	M16	0.7	17309
351 - 425	M24	0.7	22377
426 - 500	M16	0.7	20832
426 - 500	M24	0.7	23134
501 - 575	M16	0.7	21241
501 - 575	M24	0.7	26119
576 - 650	M16	0.7	23029
651 - 725	M16	0.7	23030



### Note:

Projection 'L' depends on the type of bracket.

Subject to technical change. Please follow our maintenance and fitting instructions.

# Söll GlideLoc<sup>®</sup> aluminium ladders

## Mounting elements

### Clamp

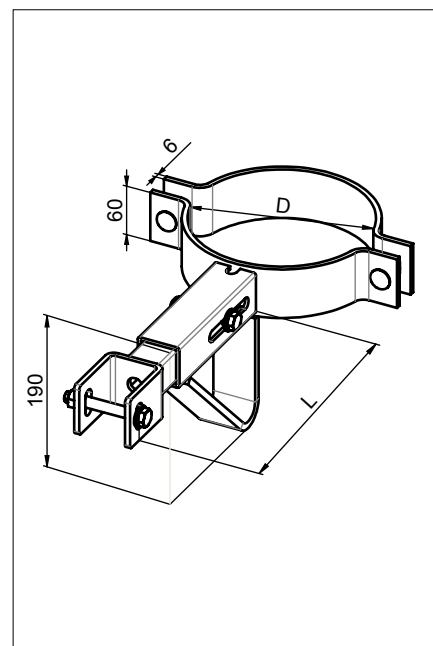
- With adjustable projection
- Used where ladder bends
- Complete with all ladder mounting elements
- Please indicate the exact mast diameter and projection range when placing the order
- Mast diameter:  
Min. 60 mm  
Max. 1,500 mm
- Projection ranges:  
L = 250 - 325 mm  
L = 326 - 400 mm  
L = 401 - 475 mm

Material: Steel,  
hot-dip galvanised

Weight: Depends on mast  
diameter  
and projection

Part no. **BS-VSTS- $\langle\text{Ø in mm}\rangle$**

Other projections available upon  
request



### Weld-on bracket

- To be welded on site
- Projection 150 mm
- Complete with all mounting elements
- Ensure structure is suitable for welding

Material: Steel, raw  
Weight: 1.0 kg/each

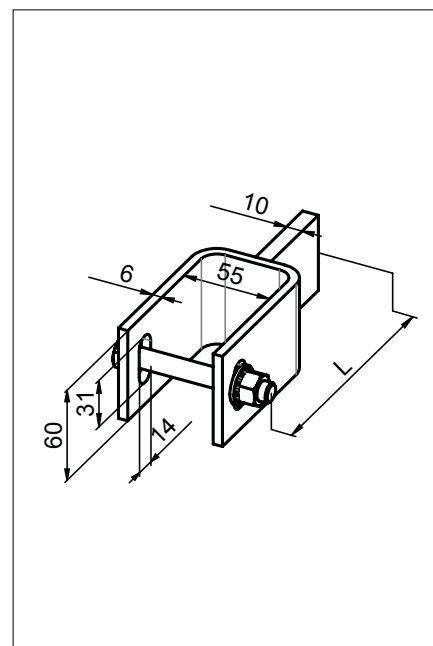
Part no. **17254**

Material: Steel,  
hot-dip galvanised

Weight: 1.0 kg/each

Part no. **20848**

Other projections available upon  
request



### Note:

Projection 'L' depends on the type of bracket.

Subject to technical change. Please follow our maintenance and fitting instructions.

# Söll GlideLoc® aluminium ladders

## Mounting elements

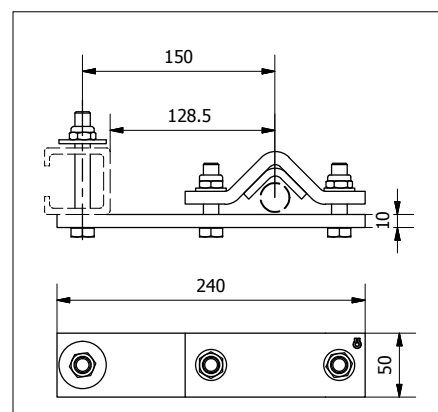
### Bracket

- For use on tube structures of 20 - 70 mm diameter
- Projection 150 mm
- Complete with all mounting elements
- Support structure must be checked to ensure sufficient strength
- Please indicate the exact tube diameter

Material: Steel, hot-dip galvanised

Weight: 1.8 kg/each

**Part no. 11226**



### Angle corner mounting bracket

- For use on corner struts of lattice masts with angle profile
- Complete with all mounting elements
- Support structure must be checked to ensure sufficient strength

Material: Steel, hot-dip galvanised

For use on corner struts with angle profile up to 100 x 100

Weight: 2.1 kg/each

**Part no. 11025**

For use on corner struts with angle profile from 110 x 110 to 140 x 140

Weight: 2.4 kg/each

**Part no. 14696**

For use on corner struts with angle profile from 150 x 150 to 180 x 180

Weight: 2.5 kg/each

**Part no. 14698**

For use on corner struts with angle profile from 190 x 190 to 220 x 220

Weight: 2.8 kg/each

**Part no. 14699**

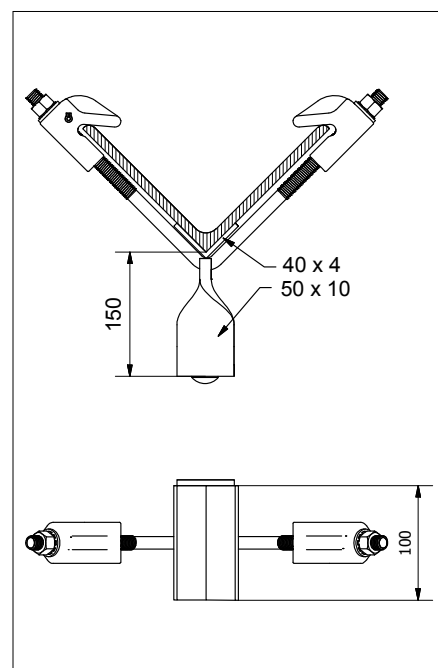
For use on corner struts with angle profile from 230 x 230 to 260 x 260

Weight: 2.9 kg/each

**Part no. 14700**

Angle corner mounting bracket with cable holder available upon request

Other projections available upon request



### Note:

Projection 'L' depends on the type of bracket.

Subject to technical change. Please follow our maintenance and fitting instructions.

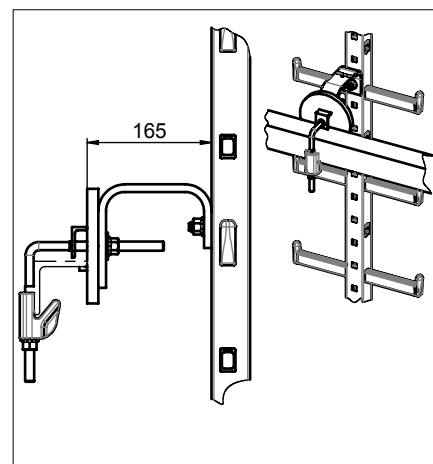
# Söll GlideLoc<sup>®</sup> aluminium ladders

## Mounting elements

### Mounting element

- For diagonal struts on lattice masts on the exterior of the corner strut
- Complete with all mounting elements
- Please indicate strut width

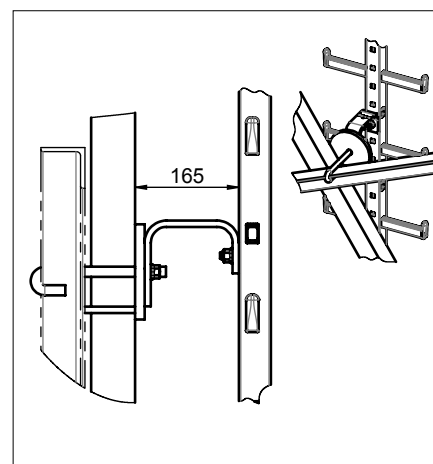
Material: Steel, hot-dip galvanised  
Weight: Depends on size  
Part no. **BB-DA**



### Mounting element

- For crossings of diagonal struts on lattice masts
- Complete with all mounting elements
- Please indicate the strut width and any filler plate measurements

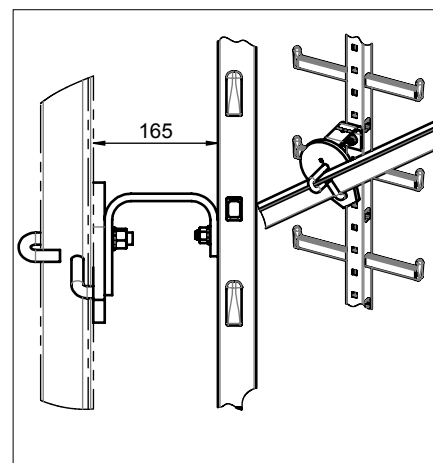
Material: Steel, hot-dip galvanised  
Weight: Depends on size  
Part no. **BB-DK**



### Mounting element

- For diagonal struts on lattice masts on the interior of the corner strut
- Complete with all mounting elements
- Please indicate strut width

Material: Steel, hot-dip galvanised  
Weight: Depends on size  
Part no. **BB-DI**



**Note:**

Projection 'L' depends on the type of bracket.

Subject to technical change. Please follow our maintenance and fitting instructions.

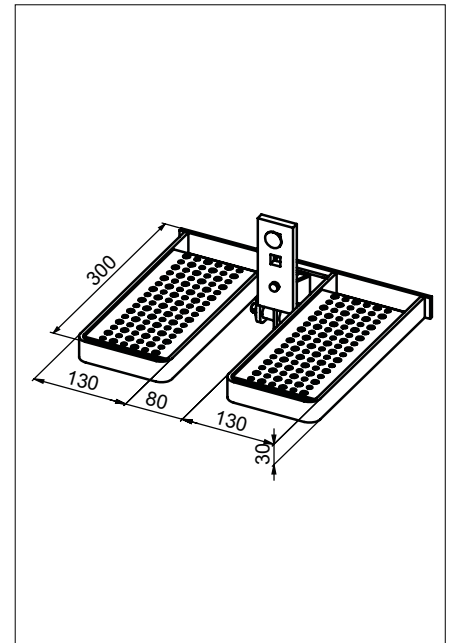
# Söll GlideLoc<sup>®</sup> aluminium ladders

## Footrests

### Folding footrest

- Complies with DIN 18799
- For Y-spar and twin ladders with step widths of 150 and 180 mm
- Rung distance 280 mm
- Recommended mounting distance 10 m
- Complete with all mounting elements

Material:	Steel, hot-dip galvanised
Weight:	4.2 kg/each
Part no.	<b>23722</b>
Material:	Stainless steel, pickled
Weight:	4.6 kg/each
Part no.	<b>26503</b>



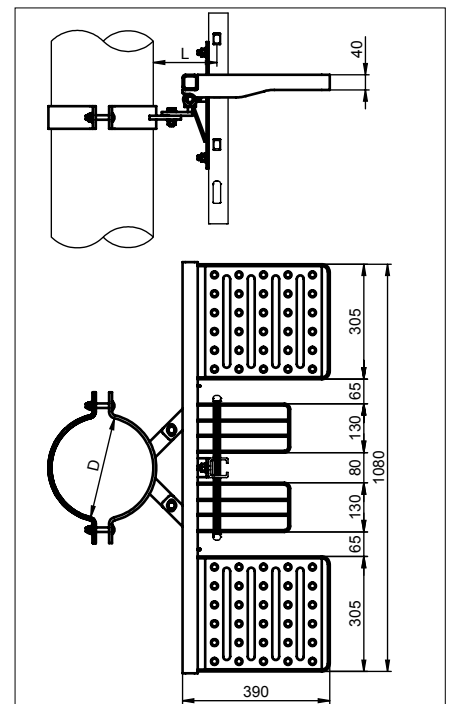
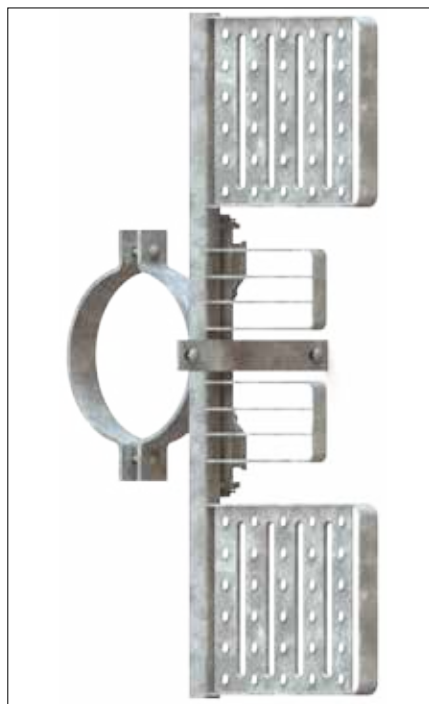
### Footrest

- With working platforms on both sides
- To provide working access adjacent to the ladder
- Footrest and platforms can be folded
- Mounted to the guide rail and mast at the same time
- For use by one person only
- Complete with all mounting elements
- Rung distance 280 mm
- Step width 150 and 180 mm
- Please indicate the following required information:  
Mast diameter D  
Projection L

Material:	Steel, hot-dip galvanised
Weight:	Depends on mast diameter
Part no.	<b>26534</b>

Stainless steel available upon request

Wall and angle corner mounting bracket available upon request



Subject to technical change. Please follow our maintenance and fitting instructions.



# Söll GlideLoc<sup>®</sup> aluminium ladders Footrests

## Footrest

- With one working platform on left side
- To provide working access adjacent to the ladder
- Footrest and platform can be folded
- Mounted to the guide rail and mast at the same time
- For use by one person only
- Complete with all mounting elements
- Rung distance 280 mm
- Please indicate the following required information:

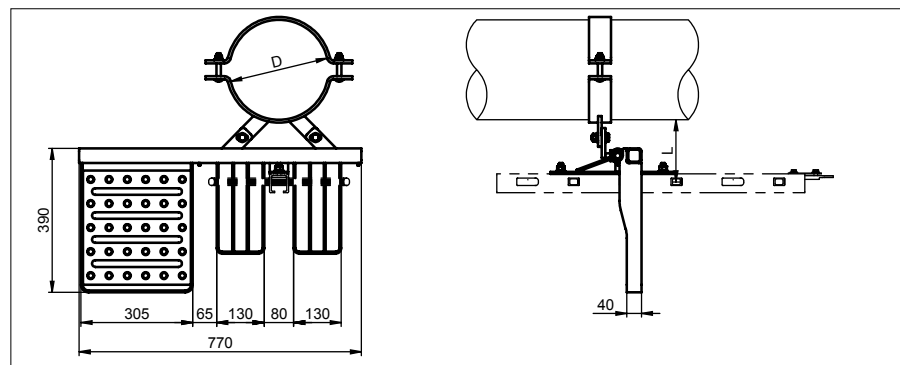
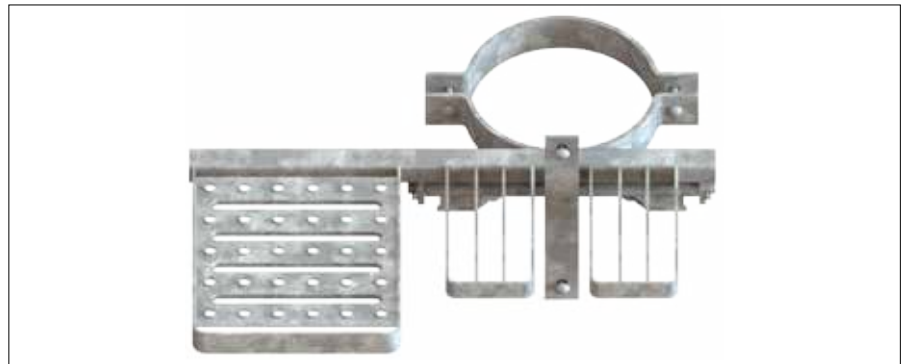
Mast diameter D  
Projection L

Material: Steel, hot-dip galvanised  
Weight: Depends on mast diameter

Part no. **26543**

Stainless steel available upon request

Wall and angle corner mounting bracket available upon request



## Footrest

- With one working platform on right side
- To provide working access adjacent to the ladder
- Footrest and platform can be folded
- Mounted to the guide rail and mast at the same time
- For use by one person only
- Complete with all mounting elements
- Rung distance 280 mm
- Please indicate the following required information:

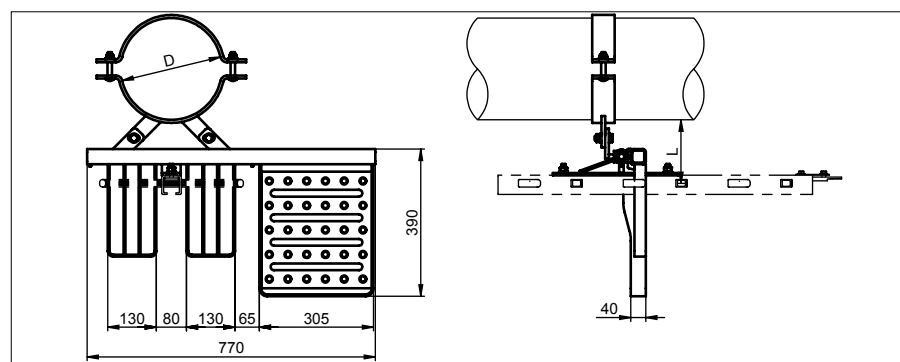
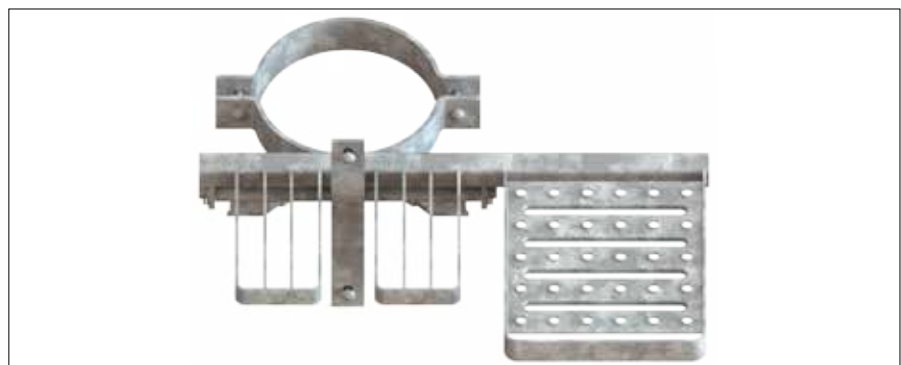
Mast diameter D  
Projection L

Material: Steel, hot-dip galvanised  
Weight: Depends on mast diameter

Part no. **26545**

Stainless steel available upon request

Wall and angle corner mounting bracket available upon request



Subject to technical change. Please follow our maintenance and fitting instructions.



# Söll GlideLoc<sup>®</sup> aluminium ladders

## Footrests

### Footrest

- Pivotal
- For all aluminium Y-spar and twin ladders
- Complete with all mounting elements

Hinge on left side

Material: Steel, hot-dip galvanised

Weight: 17.5 kg/each

Part no. **15391**

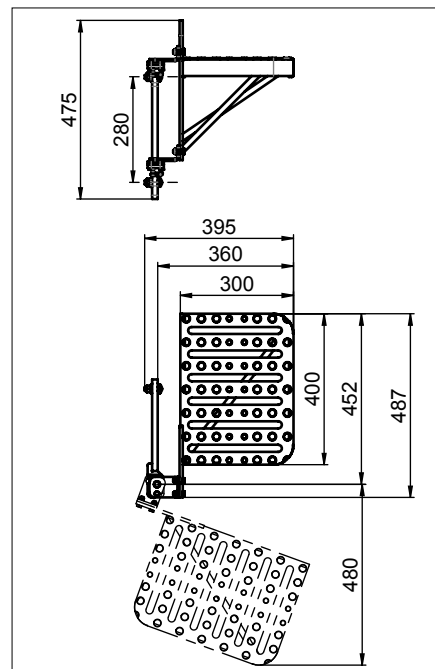
Hinge on right side

Material: Steel, hot-dip galvanised

Weight: 17.5 kg/each

Part no. **16547**

Stainless steel available upon request



### Folding footrest

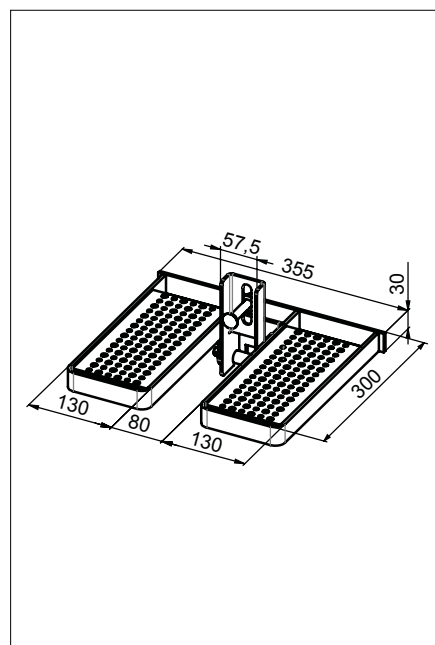
- Complies with DIN 18799
- For climbways with reinforcement
- Recommended mounting distance 10 m
- Rung distance 280 mm
- Complete with all mounting elements

Material: Steel, hot-dip galvanised

Weight: 4.0 kg/each

Part no. **23980**

Stainless steel available upon request



Not shown

### Footrest for aluminium ladders with profile 50 x 50 mm

Material: Steel, hot-dip galvanised

Weight: 4.1 kg/each

Part no. **24032**

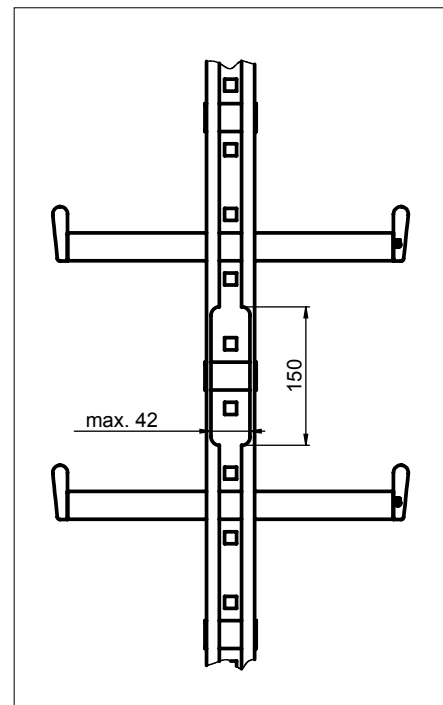
Subject to technical change. Please follow our maintenance and fitting instructions.

# Söll GlideLoc<sup>®</sup> aluminium ladders

## Recess

### Recess

- For aluminium Y-spar and twin ladders
- To insert and take out the fall arresters
- As the fall protection unit does not have a protective function within the recess, there must be an end-stop (ordered separately) attached above the recess
- **The recess may only be at the beginning of the climbway, e.g. near the ground or on platforms with handrails**
- **A recess must not be used where there is a risk of falling for the user**
- **If the fall arrester is removed from the climbway course, an exit section has to be used**
- **At the time of ordering, the part of the ladder with a recess must be marked with an 'A' or the notice 'with recess'**



# Söll GlideLoc<sup>®</sup> aluminium ladders

## Exit section

### Exit section

- To be installed within the climbway
- To remove or insert the fall arrester
- Comes with single-use mounting tool
- For Y-spar and twin ladders

Material: Anodised aluminium

Weight: 2.8 kg/each

Part no. 10550

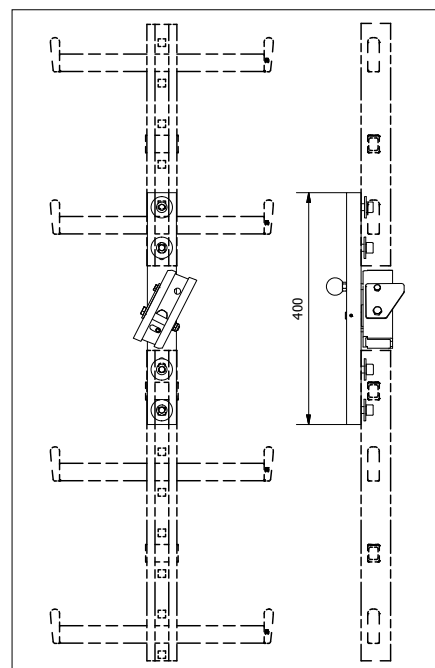
### Factory assembly of the exit section

At the time of ordering, the part of the ladder with the factory assembled exit section must be marked with 'AV' or the notice 'with assembled exit section'.

In the case of assembly at the factory, please also specify the installation height.

### Please note:

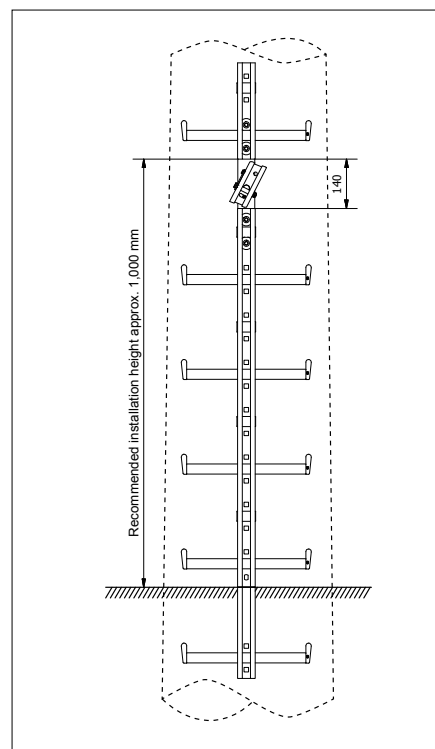
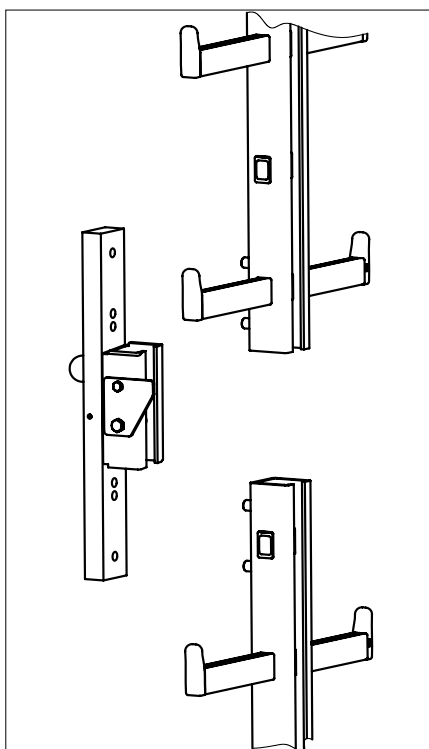
Installation is only possible **between** two rungs.



### Possible installation heights in a ladder section of 4,480 mm:

Height from bottom ladder section	
490 mm	Between 2nd and 3rd rung
770 mm	Between 3rd and 4th rung
1,050 mm	Between 4th and 5th rung
1,330 mm	Between 5th and 6th rung
1,610 mm	Between 6th and 7th rung
1,890 mm	Between 7th and 8th rung
2,170 mm	Between 8th and 9th rung
2,450 mm	Between 9th and 10th rung
2,730 mm	Between 10th and 11th rung
3,010 mm	Between 11th and 12th rung
3,290 mm	Between 12th and 13th rung
3,570 mm	Between 13th and 14th rung
3,850 mm	Between 14th and 15th rung

- Can be used for rung distance of 280 mm and 250 mm
- The recommended installation height is approx. 1,000 mm above the top edge of the footrest



Subject to technical change. Please follow our maintenance and fitting instructions.

# Söll GlideLoc<sup>®</sup> aluminium ladders

## Rotary exit section

### Rotary exit section

- Used for leaving or entering the ladder system safely onto or from the platform behind the ladder
- Rotary exit section can be turned left or right
- Please take total ladder length up to rotary disk into account when ordering
- The top two rungs of the last ladder section must be removed
- Footrest with two individually foldable platforms

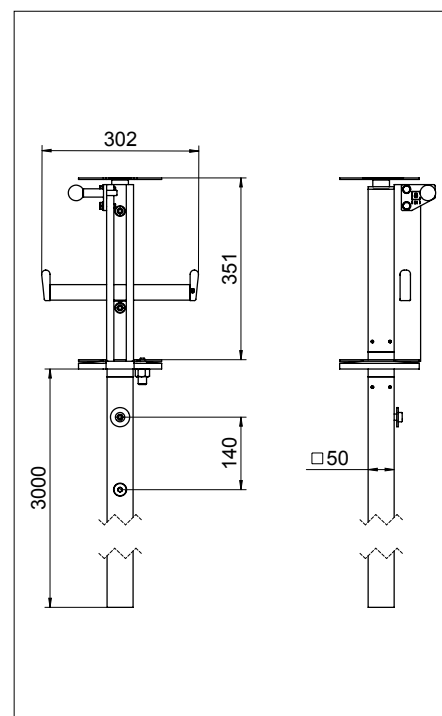
With footrest

Material: Anodised aluminium  
Weight: 17.0 kg/each  
Part no. **10558**

Without footrest

Material: Anodised aluminium  
Weight: 12.5 kg/each  
Part no. **21814**

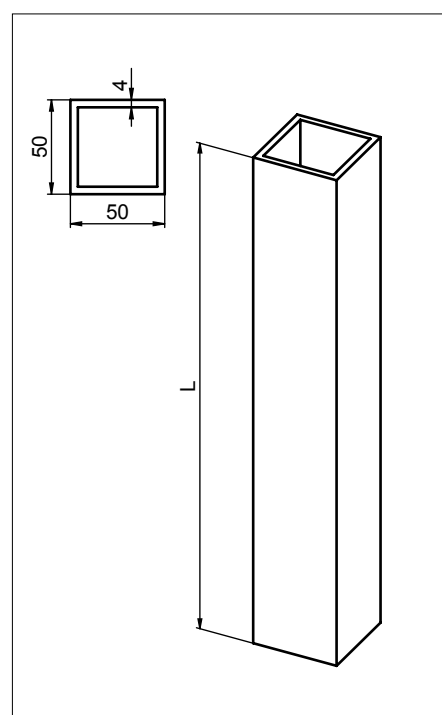
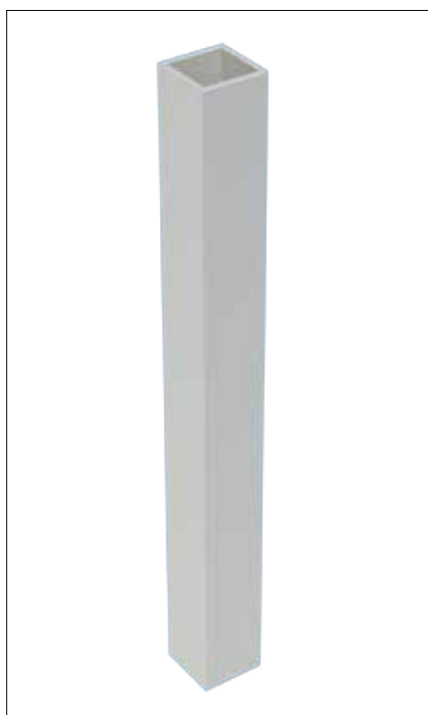
Factory assembly on a ladder section  
Part no. **16604**



### Reinforcement

- Required when the distance between last mounting point and the top end of the ladder exceeds 525 mm
- Must be bolted onto the profile every 560 mm
- Must extend down over at least two mounting brackets
- Complete with all mounting elements
- For Y-spar and twin ladders
- Square tube 50 x 50 x 4 mm

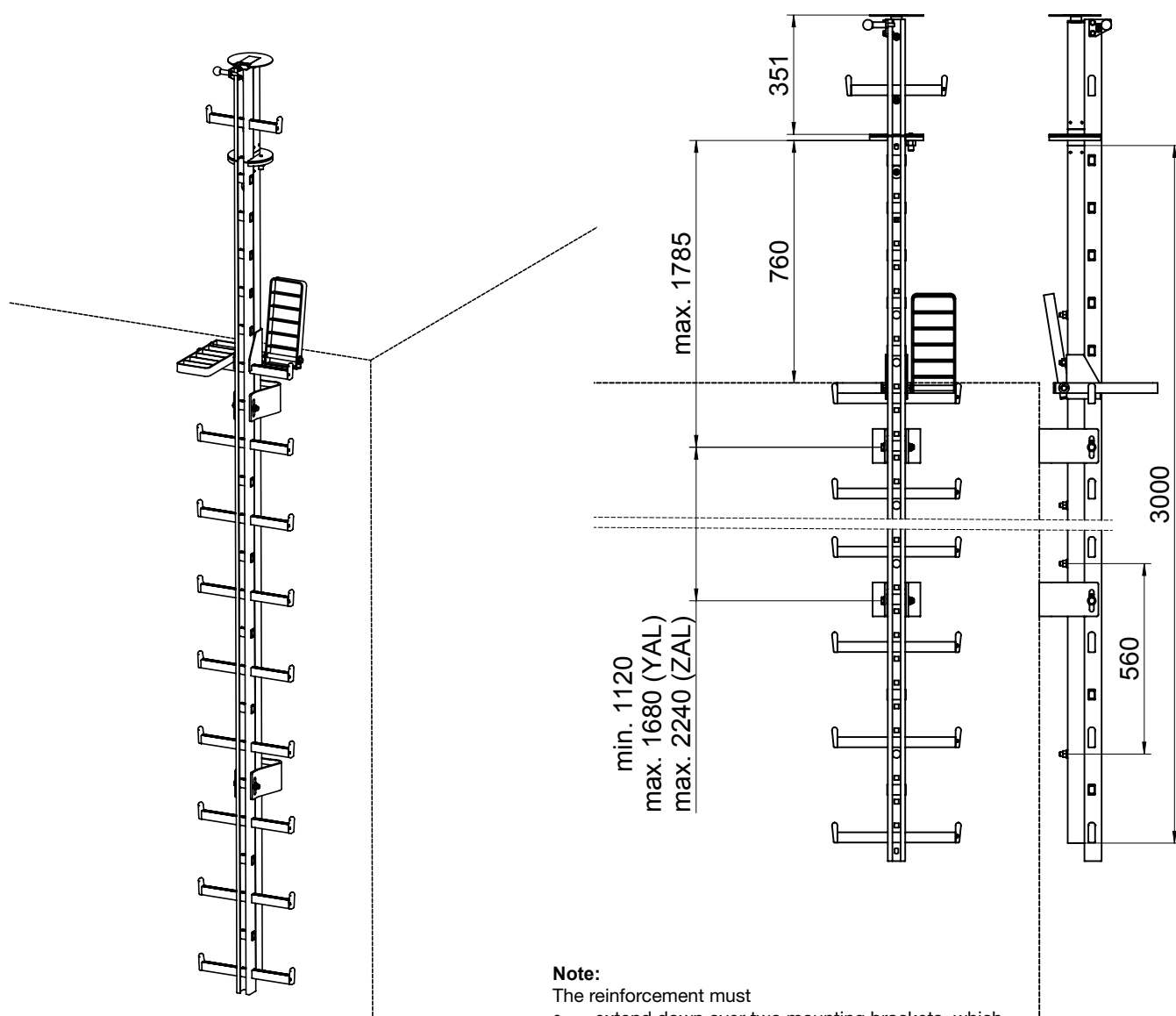
Material: Anodised aluminium  
Weight: Approx. 2.0 kg/m  
Part no. **HV-AL-<length in mm>**



Subject to technical change. Please follow our maintenance and fitting instructions.

# Söll GlideLoc® aluminium ladders

## Planning aid for rotary exit section



**Note:**

The reinforcement must

- extend down over two mounting brackets, which must be mounted at a distance of at least 1,120 mm
- be bolted to the ladder every 560 mm

**There must be no ladder joints in the area of the reinforcement!**

Subject to technical change. Please follow our maintenance and fitting instructions.

# Söll GlideLoc<sup>®</sup> aluminium ladders

## Pivoting roof exit

### Pivoting roof exit

- To be used in confined spaces
- Used for leaving or entering the ladder system safely onto or from the platform behind the ladder
- Hinge can be on left or right side
- Complete with all mounting elements
- To be fixed on the central spar of the ladder
- Top ladder section must be at least 1,400 mm long

Material: Hot-dip galvanised steel

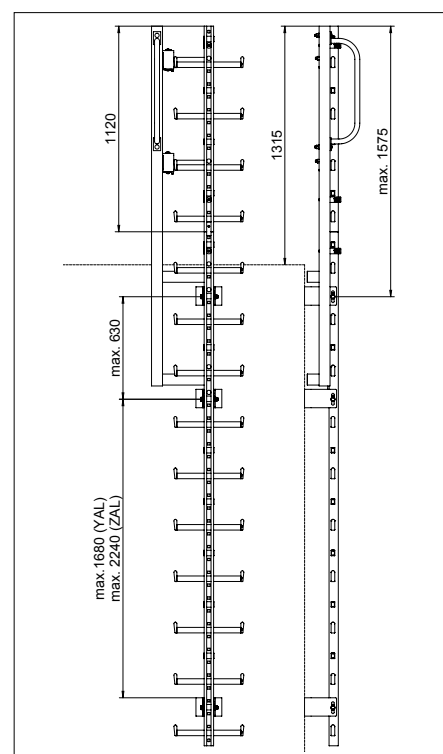
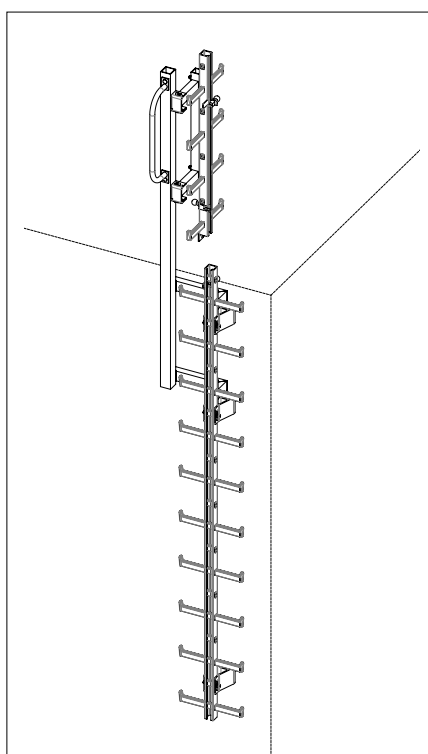
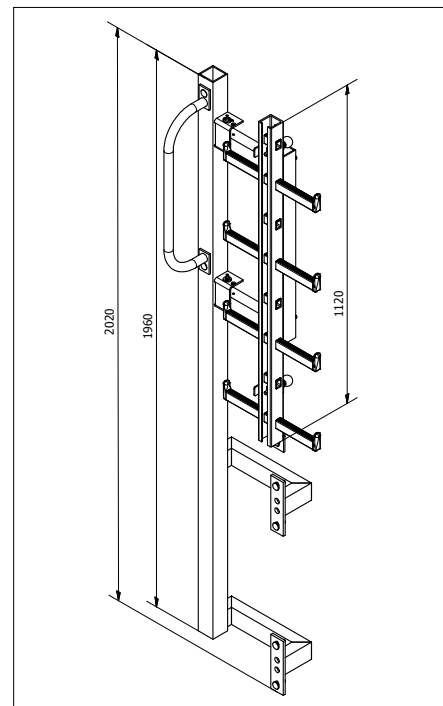
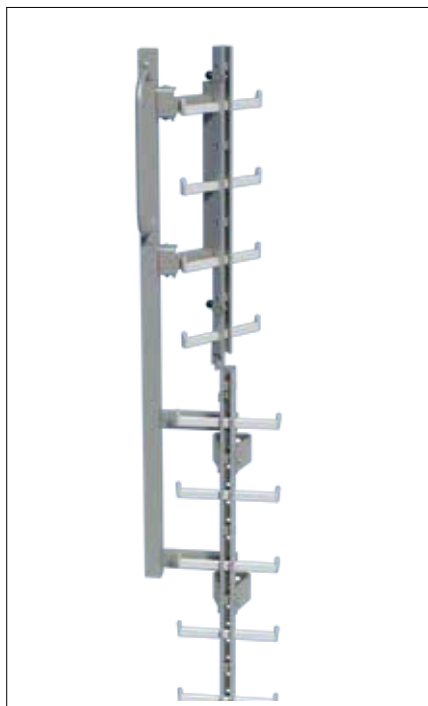
Weight: 33.0 kg/each

Hinge on left side

**Part no. 23144**

Hinge on right side

**Part no. 24946**



Subject to technical change. Please follow our maintenance and fitting instructions.

# Söll GlideLoc<sup>®</sup> aluminium ladders Cover plate

## Aluminium cover plate

- For Y-spar and twin ladders
- Without ladder section
- Prevents unauthorised people from climbing the front or the rear of the ladder
- Brackets are covered as well (up to projection 150 mm)
- Opens laterally
- Hinge can be on left or right side
- Hinges can be switched on site
- Stainless steel fixings
- Cylinder lock
- Plate length 2,500 mm
- Width 523 mm
- Width when cover plate is open 991 mm

Material: Anodised aluminium  
Weight: 34.2 kg/each

Hinge on left side  
**Part no. 21683**

Hinge on right side  
**Part no. 21759**

Factory assembly on a ladder section  
**Part no. 16368**

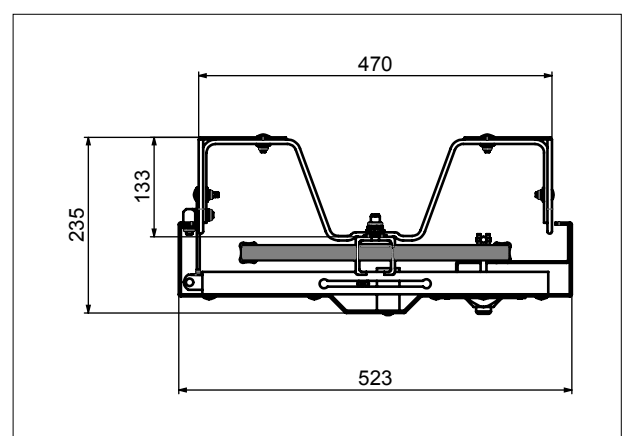
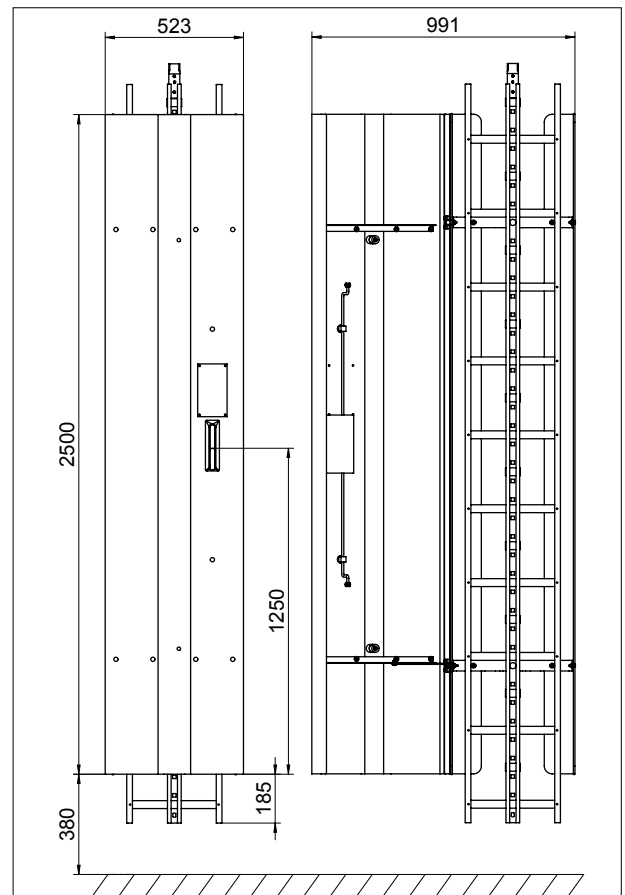
Replacement key  
**Part no. 17478**

## Cover plate for installation above normal height

Hinge on left side  
**Part no. 21684**

Hinge on right side  
**Part no. 21685**

As an alternative to the cover plate, the **PivotLoc foldable ladder system** is also possible.



Subject to technical change. Please follow our maintenance and fitting instructions.

# Söll GlideLoc<sup>®</sup> aluminium ladders

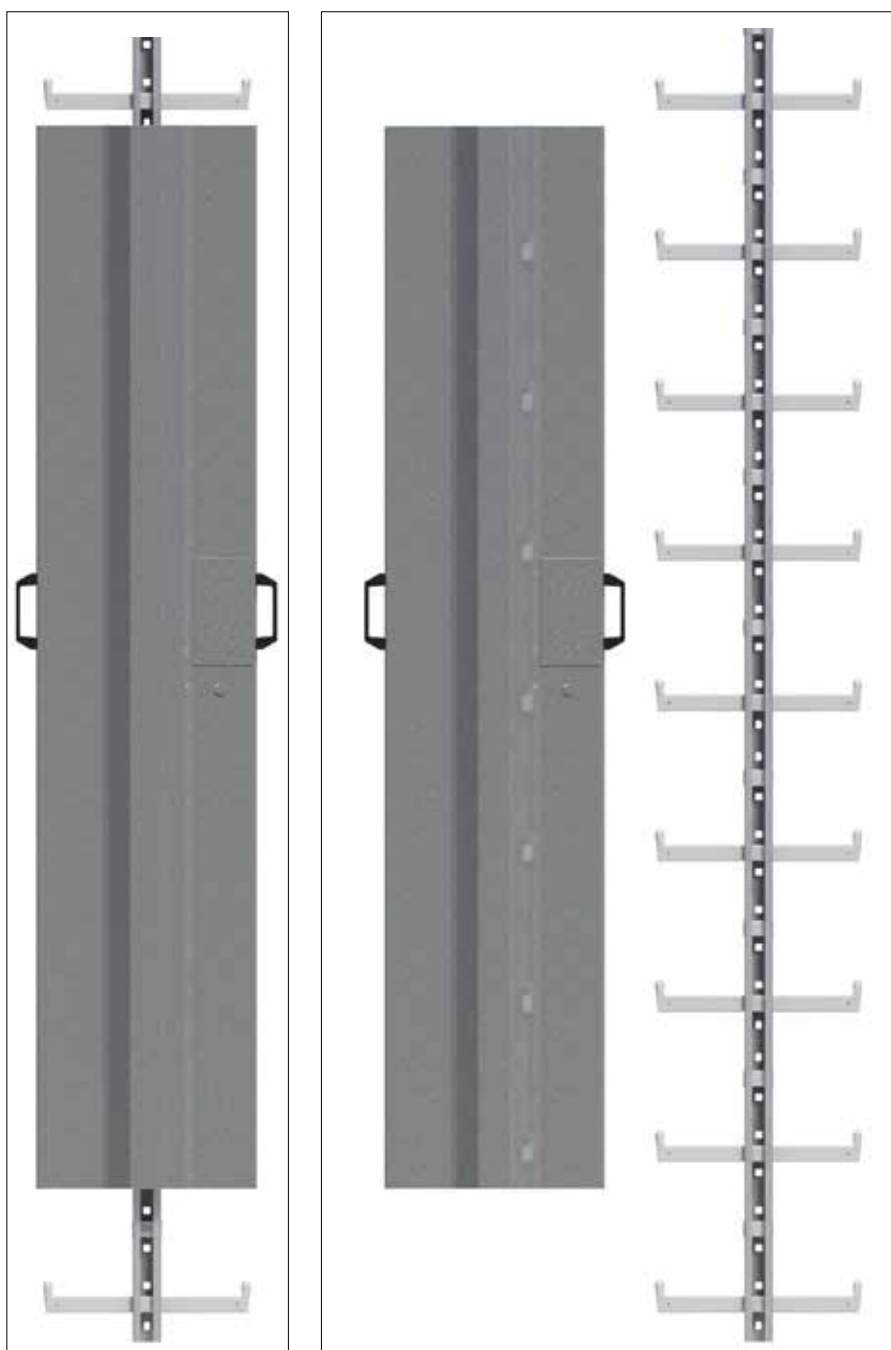
## Cover plate

### Steel cover plate

- For aluminium ladders with step width 150 mm
- Without ladder section
- Prevents unauthorised people from climbing the ladder
- Can be mounted and must be secured with a padlock
- Length 2,000 mm

Material: Steel, hot-dip galvanised  
 Weight: 17.1 kg/each  
 Part no. 11354

As an alternative to the cover plate, the **PivotLoc foldable ladder system** is also possible.





# Söll PivotLoc foldable ladder system

## Principle:

The ladders can be opened or folded closed. When the ladder is closed, it has a slim and unobtrusive profile. When open, the result is a high-quality ladder with Miller® fall protection. The foldable ladder system prevents unauthorised use of the system in the same way as the cover plate.

## Söll PivotLoc:

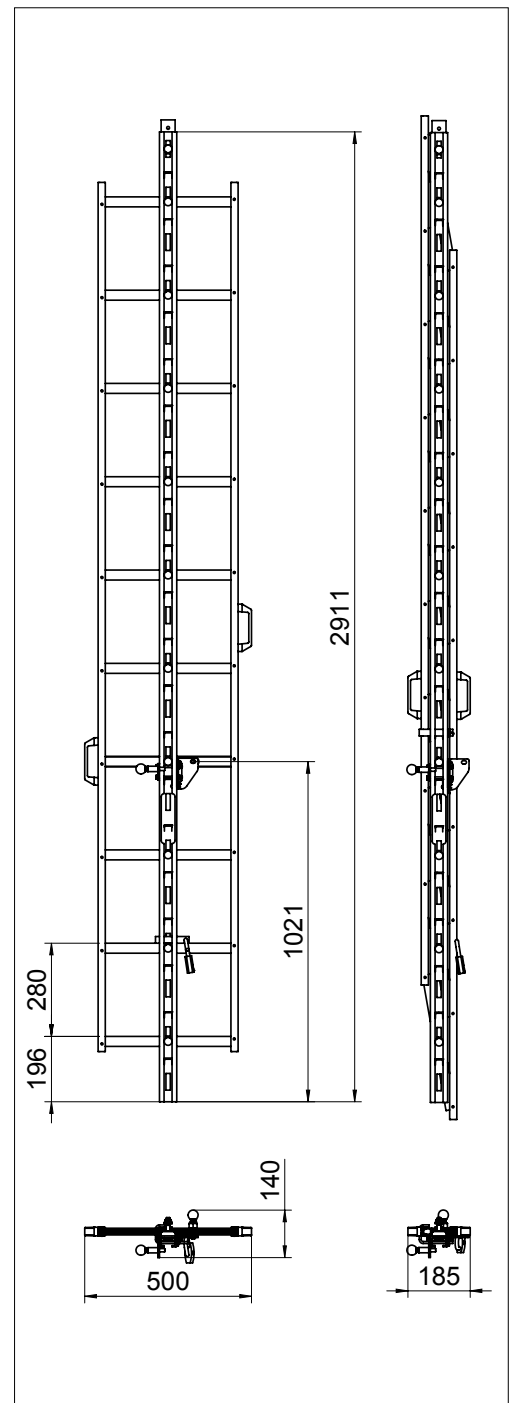
- Length 2,800 mm
- Width 500 mm
- Width when closed 195 mm
- Rung distance 280 mm
- It must be locked open or shut with the padlock
- The brackets must be fixed on the pivot points of the rungs
- The foldable ladder can be used combined with all type of ladders
- The ladder is complete with arresting device, end-stop, recess, connector and side handles
- The system also includes a stainless steel clamp that is used to insert a padlock

## Connection to aluminium ladders

Material: Anodised aluminium  
Weight: 12.0 kg/each  
Part no. **23193**

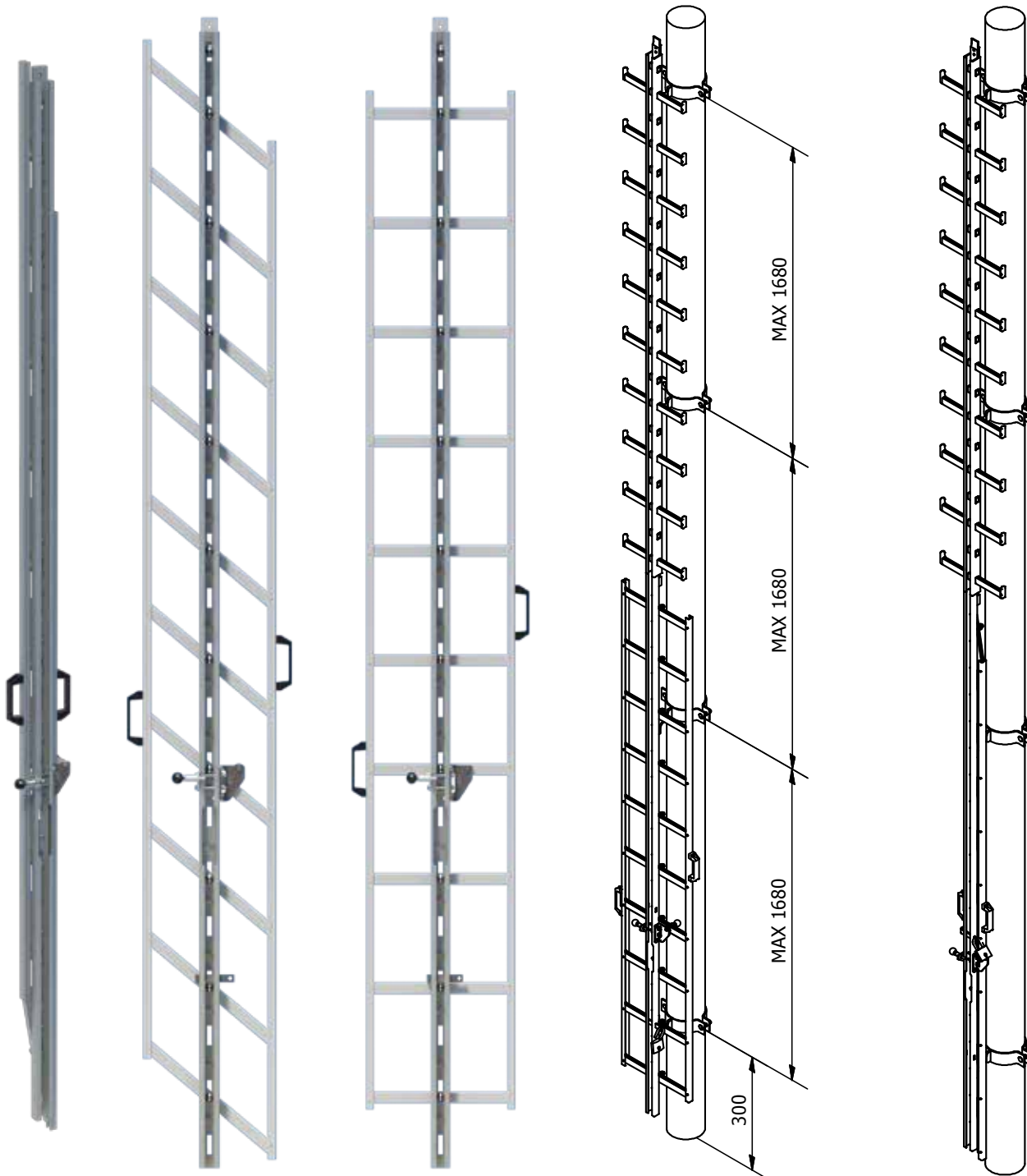
## Connection to steel ladders

Material: Anodised aluminium  
Weight: 12.0 kg/each  
Part no. **23281**  
(not shown)



Subject to technical change. Please follow our maintenance and fitting instructions.

## Planning aid for Söll PivotLoc foldable ladder system as an alternative to the cover plate

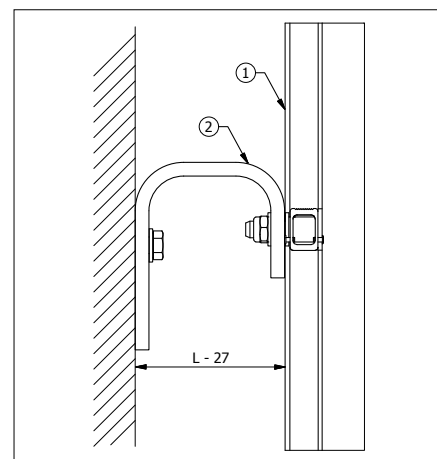
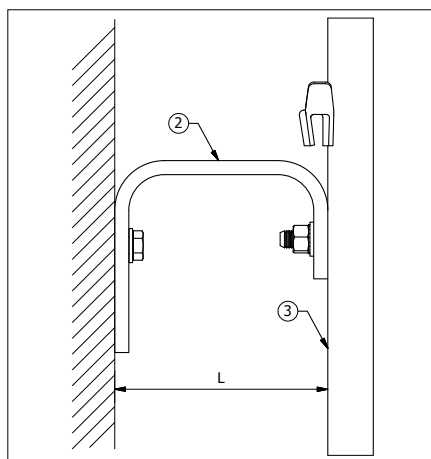


Subject to technical change. Please follow our maintenance and fitting instructions.

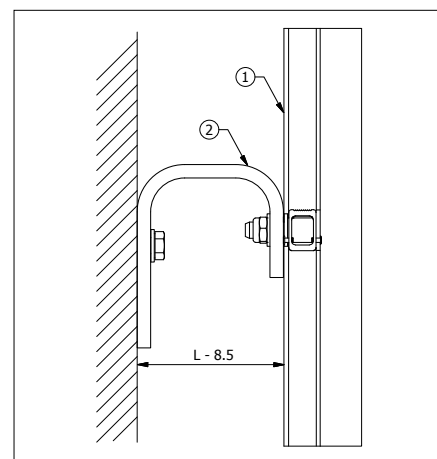
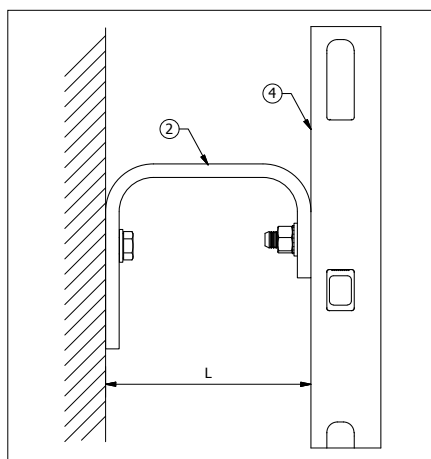
# Söll PivotLoc foldable ladder system

## Projection of the mounting brackets

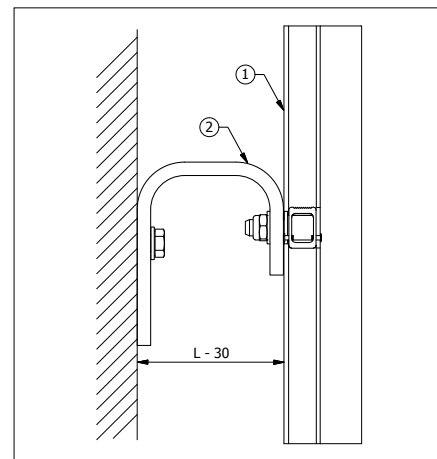
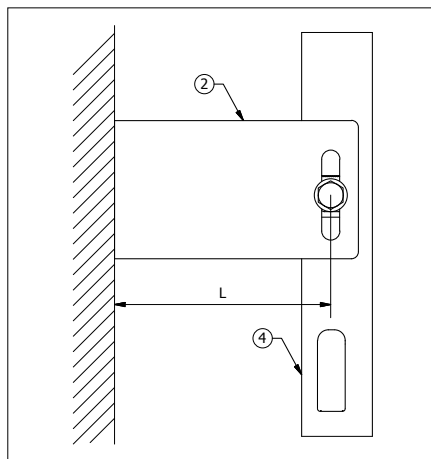
When using the PivotLoc foldable ladder system (1) combined with the steel ladder (3), the projection 'L' of the mounting brackets (2) for the foldable ladder must be 27 mm shorter.



When using the PivotLoc foldable ladder system (1) combined with the aluminium ladder (4) (mounting through back), the projection 'L' of the mounting brackets (2) for the foldable ladder must be 8.5 mm shorter.



When using the PivotLoc foldable ladder system (1) combined with the aluminium ladder (4) (mounting through catch bar), the projection 'L' of the mounting brackets (2) for the foldable ladder must be 30 mm shorter.



Subject to technical change. Please follow our maintenance and fitting instructions.

# Söll PivotLoc foldable ladder system

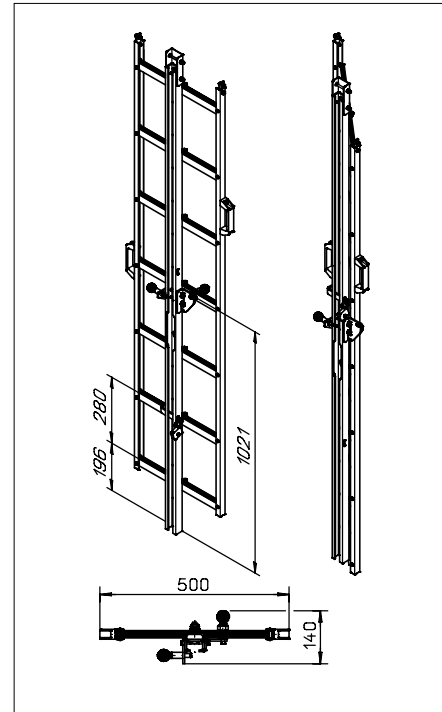
## Design principle:

The ladders can be opened or closed. When the ladder is closed, it has a slim and unobtrusive profile. When open, the result is a high-quality ladder with Miller® fall protection. The foldable ladder system prevents unauthorised use of the system.

## Söll PivotLoc, 1st ladder section:

- Profile 52 x 33 mm
- With arresting device, end-stop, recess, connector and side handles
- Mounting distance: Recommended 1,400 mm – max. 1,680 mm
- The brackets must be fixed on the pivot points of the rungs
- Max. section length 4,480 mm
- Rung distance 280 mm
- The system also includes a stainless steel clamp that is used to insert a padlock

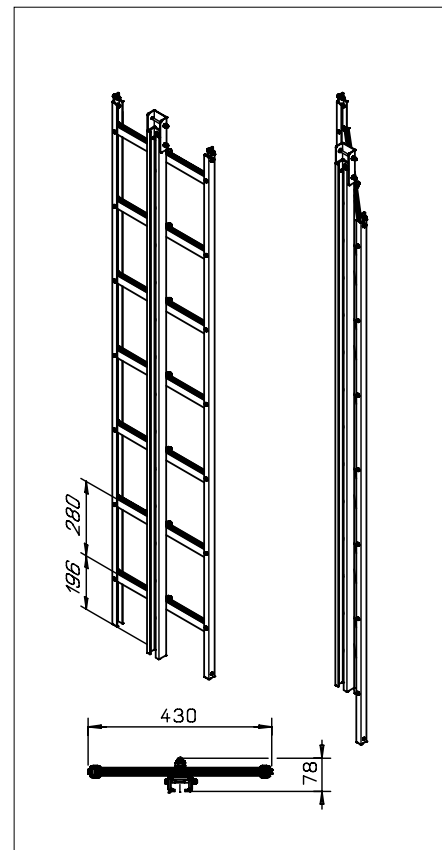
Material: Anodised aluminium  
Weight: Approx. 4.0 kg/m  
Part no. **ZALKLAPP-<ladder length in mm>-A**



## Söll PivotLoc, extension section:

- Profile 52 x 33 mm
- With connector
- Recommended mounting distance: 1,400 mm – max. 1,680 mm
- The brackets must be fixed on the pivot points of the rungs
- Manufacturing length max. 4,480 mm
- Rung distance 280 mm

Material: Anodised aluminium  
Weight: 4.0 kg/m  
Part no. **ZALKLAPP-<ladder length in mm>**



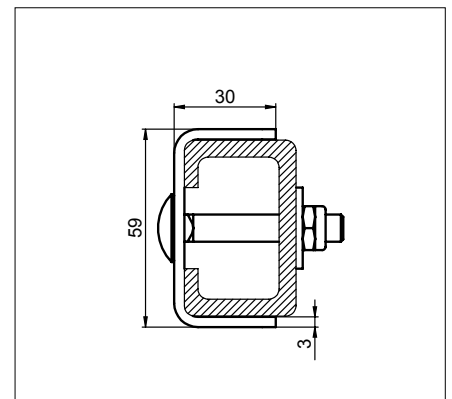
Subject to technical change. Please follow our maintenance and fitting instructions.

# Söll PivotLoc foldable ladder system Accessories

## Rigid end-stop

- Prevents the fall arrester from being taken out of the top of the foldable ladder
- Complete with all mounting elements

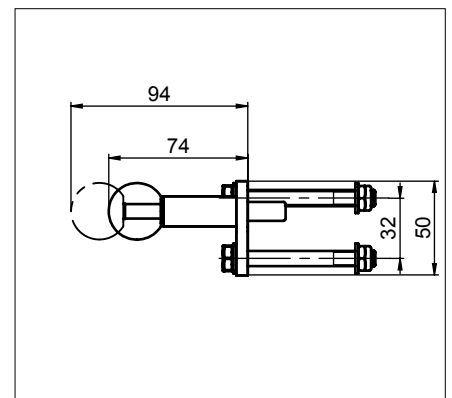
Material: Stainless steel, pickled  
Weight: 0.1 kg/each  
Part no. **23205**



## End-stop for foldable ladder system

- Prevents the fall arrester from either being inserted incorrectly or accidentally slipping out of the guide rail
- Complete with all mounting elements
- Suitable for top and bottom use

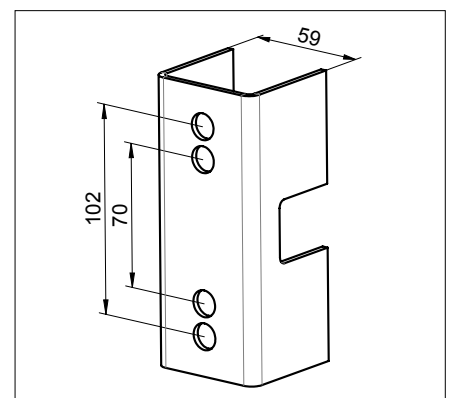
Material: Stainless steel, pickled  
Weight: 0.2 kg/each  
Part no. **27138**



## Assembly aid

- To arrest the extension section during assembly

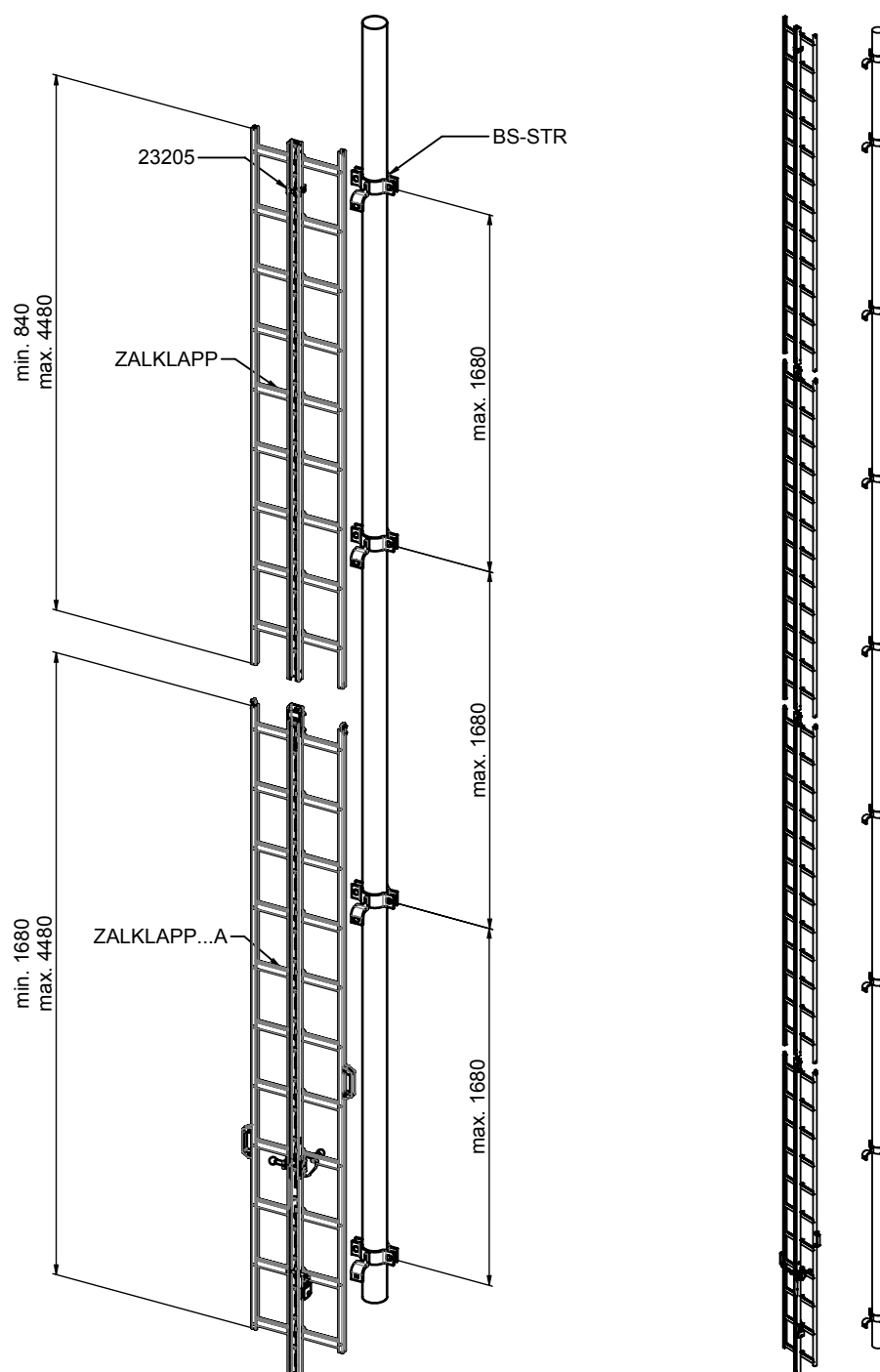
Material: Steel, hot-dip galvanised  
Weight: 0.6 kg/each  
Part no. **23206**



Subject to technical change. Please follow our maintenance and fitting instructions.

## Planning aid for foldable ladder system Söll PivotLoc (multi-section)

The maximum possible total length is 8.0 m.  
For longer climbways, the ladders must be divided in order to ensure easy opening.



Subject to technical change. Please follow our maintenance and fitting instructions.

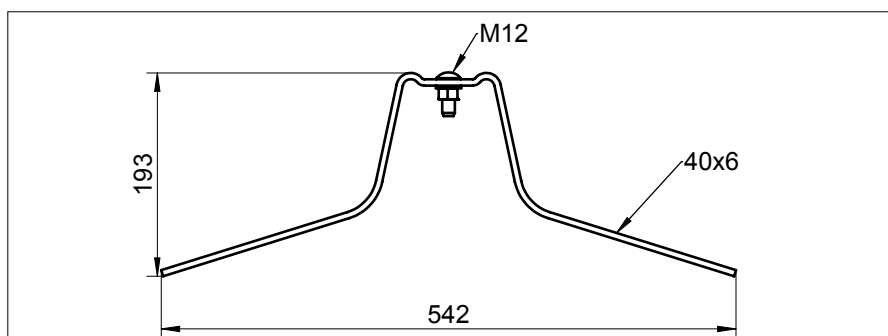
# Söll GlideLoc<sup>®</sup> aluminium ladders

## Accessories

### Cable holder

- To retain cables behind ladders and guide rails
- Complete with all mounting elements
- For use on tubular masts or corner struts
- If loaded equally, a cable holder can carry a max. of 12.5 kg
- The total load of the cables must not exceed 35 kg/m

Material: Anodised aluminium  
Weight: 0.6 kg/each  
Part no. **10531**



### Turntable

- For safe transfer from vertical to horizontal and vice versa
- With aluminium profile for supporting the fall arrester
- Please specify the guide rail profile of the horizontal and vertical system

Material: Stainless steel, pickled  
Weight: 4.2 kg/each

**Bending radius of horizontal guide rail > 1,000 mm**

Part no. **15299**

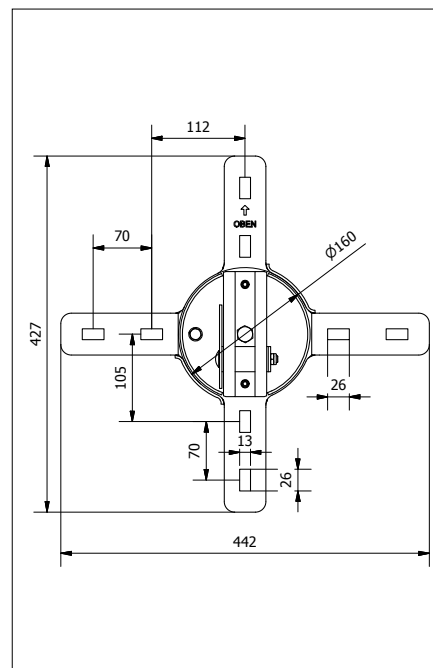
**Bending radius of horizontal guide rail < 1,000 mm**

Part no. **20793**

Factory assembly on an aluminium Y-spar ladder

Part no. **16884**

Factory assembly on an aluminium twin ladder available upon request



### Note:

All four brackets of the turntable must **always** be fixed to the structure!

Subject to technical change. Please follow our maintenance and fitting instructions.

# Söll GlideLoc<sup>®</sup> aluminium ladders

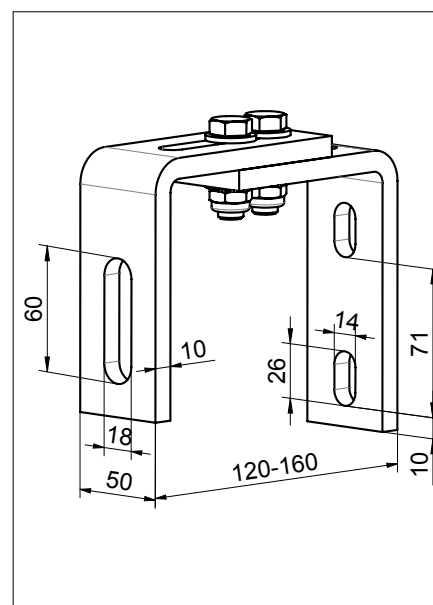
## Accessories

### Mounting bracket with adjustable projection

- Projection: 120 to 160 mm
- To be used for mounting turntable only
- screws for installation on the turntable not included

Material: Steel, hot-dip galvanised  
 Weight: 1.6 kg/each  
**Part no. 10867**

Material: Stainless steel, pickled  
 Weight: 1.6 kg/each  
**Part no. 11591**

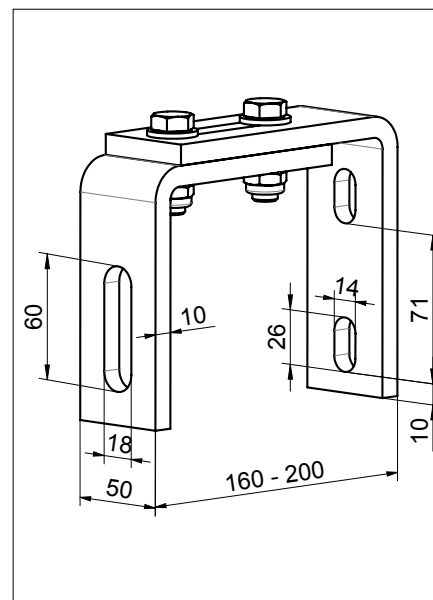


### Mounting bracket with adjustable projection

- Projection: 160 to 200 mm
- To be used for mounting turntable only
- screws for installation on the turntable not included

Material: Steel, hot-dip galvanised  
 Weight: 1.8 kg/each  
**Part no. 10869**

Material: Stainless steel, pickled  
 Weight: 1.8 kg/each  
**Part no. 15250**



**Note:**

Projection 'L' depends on the type of bracket.  
 These mounting brackets cannot be used as ladder mounting brackets.

Subject to technical change. Please follow our maintenance and fitting instructions.



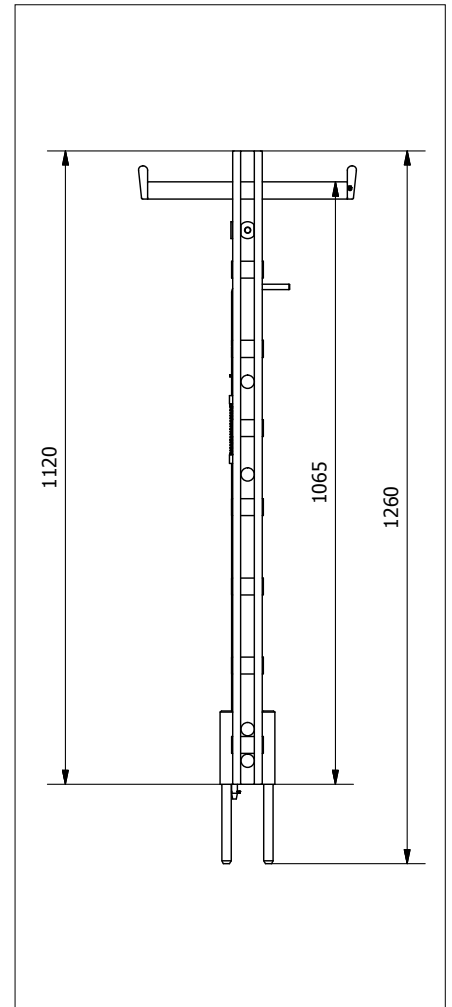
# Söll GlideLoc<sup>®</sup> aluminium ladders

## Manhole entry device

### Manhole entry device

- For safe entry into manholes
- Only use together with lower part for manhole entry device
- This device can be moved from one manhole ladder to another and can be locked

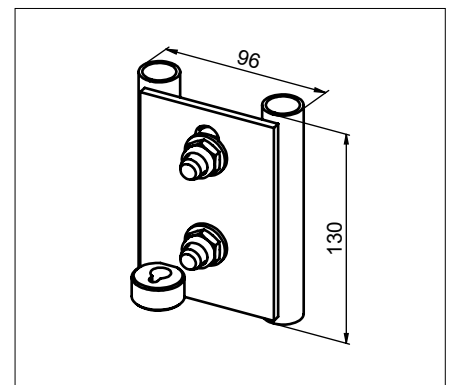
Material: Anodised aluminium  
Weight: 4.5 kg/each  
Part no. 17410



### Lower part for manhole entry device

- Fixed to the rear of the fixed guide rail

Material: Stainless steel, pickled  
Weight: 0.8 kg/each  
Part no. 16191



Subject to technical change. Please follow our maintenance and fitting instructions.

# Söll GlideLoc<sup>®</sup> aluminium ladders Accessories

## Roundabout

- For safe transfer between two different offset climbways
- Projection of the climbways must be the same
- Mast diameter:  
Min. 200 mm  
Max. 1,000 mm
- Max. rotation angle 200°
- Comprising parallel rods and carriage for offsetting the fall arrester
- Comes with all fixing elements
- Please provide diagrams specifying the mast diameter, climbway offset angle, projection and ladder type when ordering
- Please indicate the direction of rotation

Material: Steel,  
hot-dip galvanised  
Weight: Depends on size

For mast diameter 200 to 350 mm

**Part no. 16612**

For mast diameter 351 to 500 mm

**Part no. 18697**

For mast diameter 501 to 700 mm

**Part no. 18698**

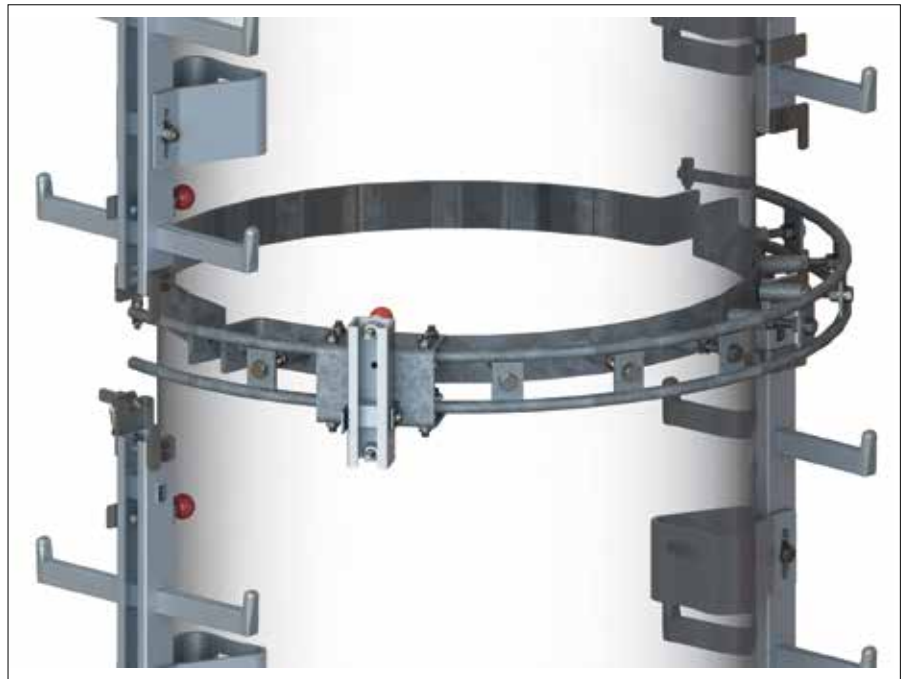
For mast diameter 701 to 1,000 mm

**Part no. 18699**

## Installation example

Roundabout with handrail and transfer platform

**Customised roundabouts available upon request**



Subject to technical change. Please follow our maintenance and fitting instructions.

# Söll GlideLoc<sup>®</sup> aluminium ladders

## Accessories

### Transfer platform

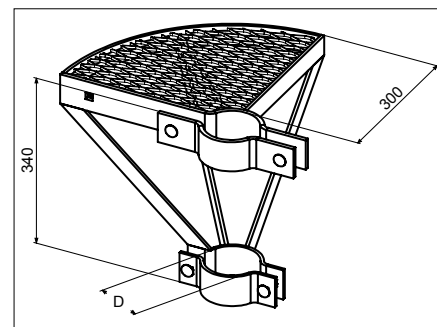
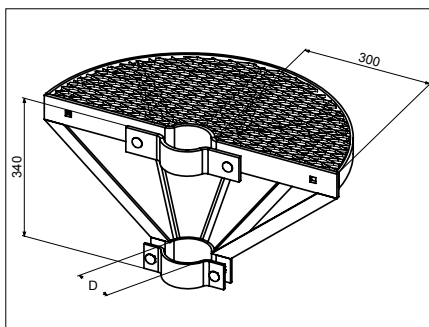
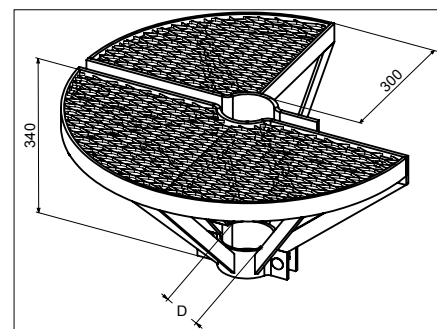
- Can be used individually or with roundabout
- Complete with all mounting elements
- Please provide diagrams specifying the mast diameter and position of the climbways when ordering. Indicate the size of the segment (90°, 180° or 270°)
- Mast diameter:  
Min. 100 mm  
Max. 1,000 mm

Material: Steel, hot-dip galvanised

Weight: Depends on size

Part no. **UP-<segment size>-<Ø in mm>**

Customised versions available upon request



Subject to technical change. Please follow our maintenance and fitting instructions.

# Insertion suspension ladders

## Mounting elements

### Mounting bracket with insertion aid

- For use in mast clamp without lock (part no. BES-OA)
- Complete with mounting elements for fixing to ladder

Material: Hot-dip galvanised steel

Projection: 130 mm

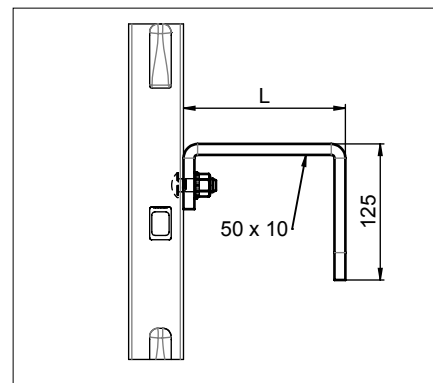
Weight: 1.2 kg/each

**Part no. 10779**

Projection: 150 mm

Weight: 1.3 kg/each

**Part no. 18065**



### Bracket

- For use in mast clamp with lock (part no. BES-MA)
- Complete with mounting elements for fixing to ladder

Material: Hot-dip galvanised steel

Projection: 130 mm

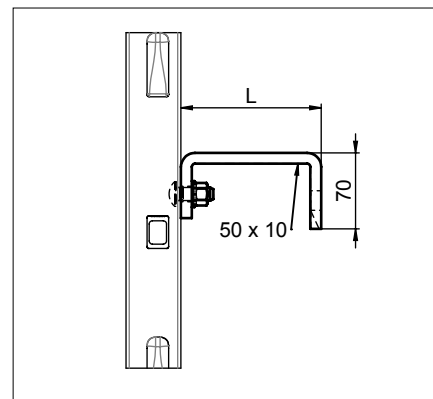
Weight: 1.0 kg/each

**Part no. 14981**

Projection: 150 mm

Weight: 1.1 kg/each

**Part no. 19646**



### Bracket

- For use in mast clamp without lock (part no. BES-OA)
- Complete with mounting elements for fixing to ladder

Material: Hot-dip galvanised steel

Projection: 130 mm

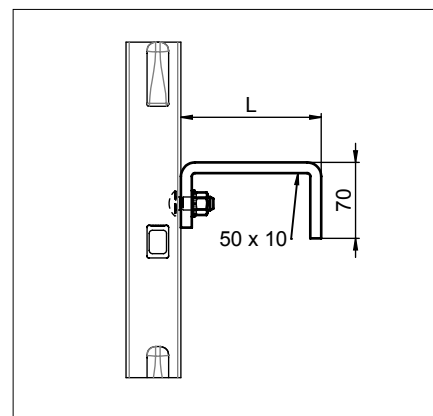
Weight: 1.0 kg/each

**Part no. 14982**

Projection: 150 mm

Weight: 1.1 kg/each

**Part no. 18068**



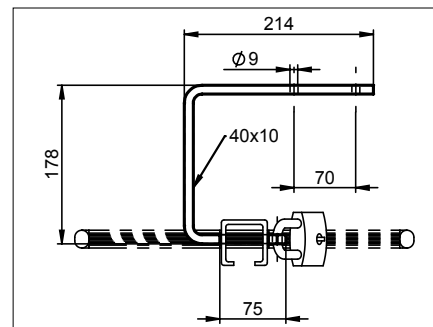
### Fixed wall bracket

- For retention of insertion suspension ladder
- Lockable
- With hole for padlock:  $\varnothing 11$  mm (padlock not included in delivery)

Material: Steel, hot-dip galvanised

Weight: 1.5 kg/each

**Part no. 15772**



Subject to technical change. Please follow our maintenance and fitting instructions.

# Insertion suspension ladders

## Mounting elements

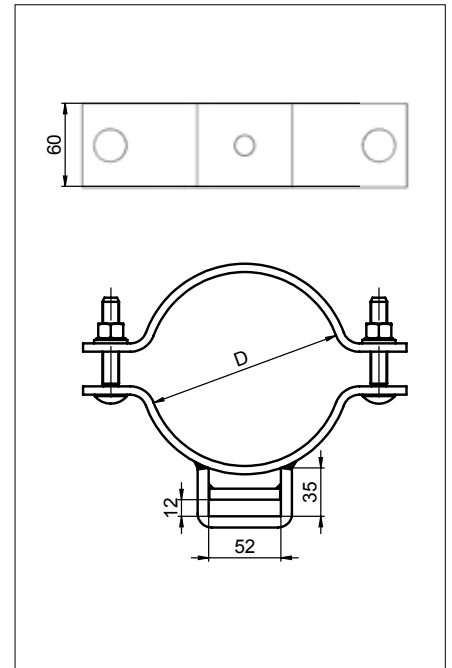
### Mast clamp without lock

- Please indicate the exact mast diameter and dimensions of rear edge of ladder to structure when placing the order
- Mast diameter:  
Min. 80 mm  
Max. 1,500 mm

Material: Steel, hot-dip galvanised  
Weight: Depends on mast diameter

Part no. **BES-OA- $\langle\text{Ø in mm}\rangle$**

Wall and angle corner mounting bracket available upon request



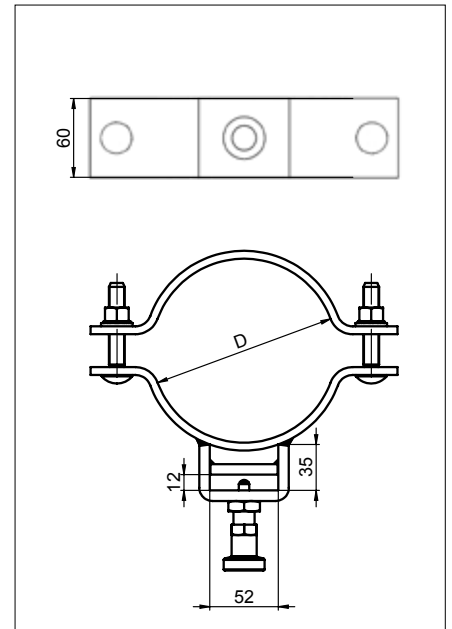
### Mast clamp with integrated lock

- To be used in conjunction with bracket (part no. 14981/19646) only
- Please indicate the exact mast diameter and dimensions of rear edge of ladder to structure when placing the order
- Mast diameter:  
Min. 80 mm  
Max. 1,500 mm

Material: Steel, hot-dip galvanised  
Weight: Depends on mast diameter

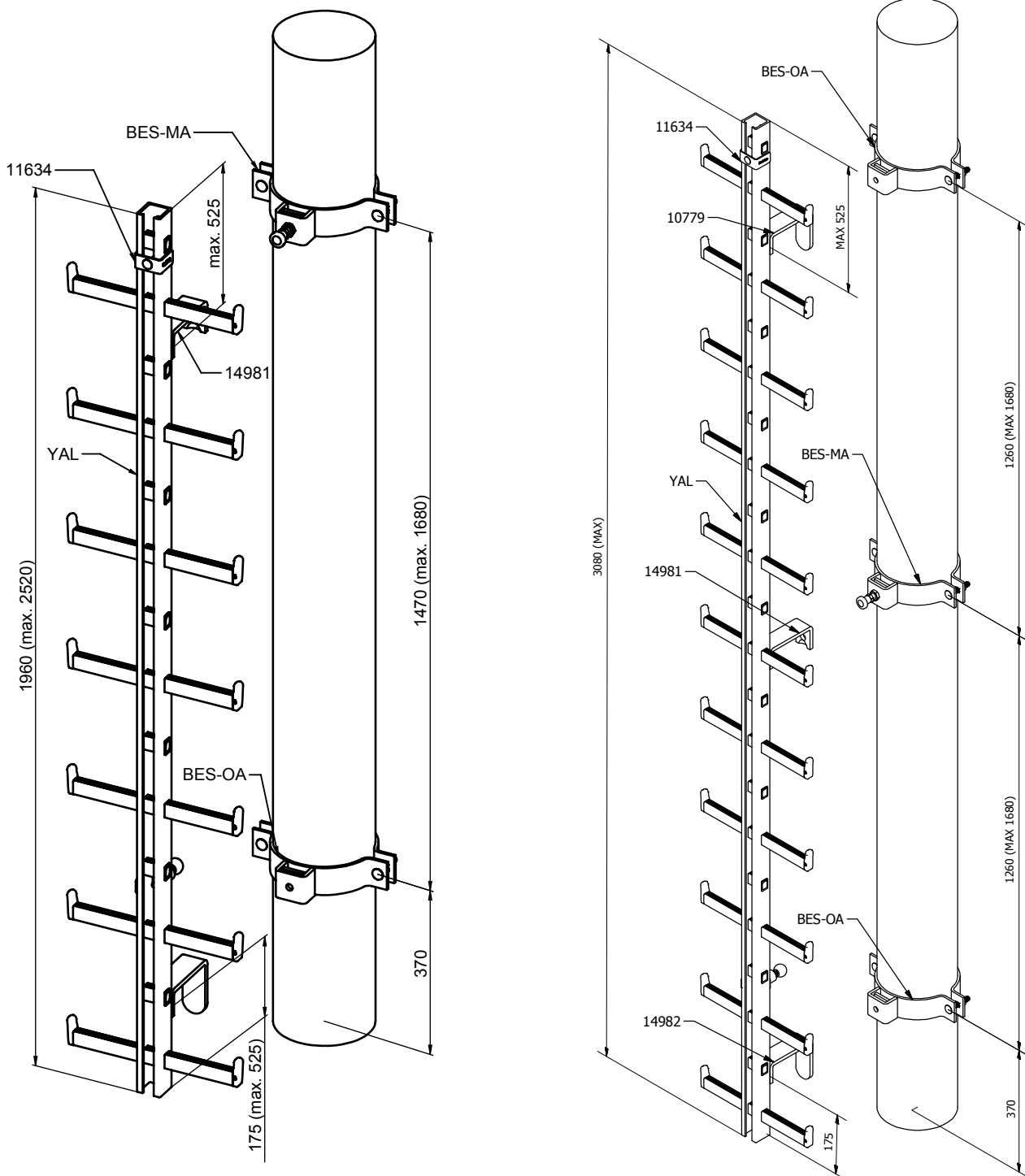
Part no. **BES-MA- $\langle\text{Ø in mm}\rangle$**

Wall and angle corner mounting bracket available upon request



Subject to technical change. Please follow our maintenance and fitting instructions.

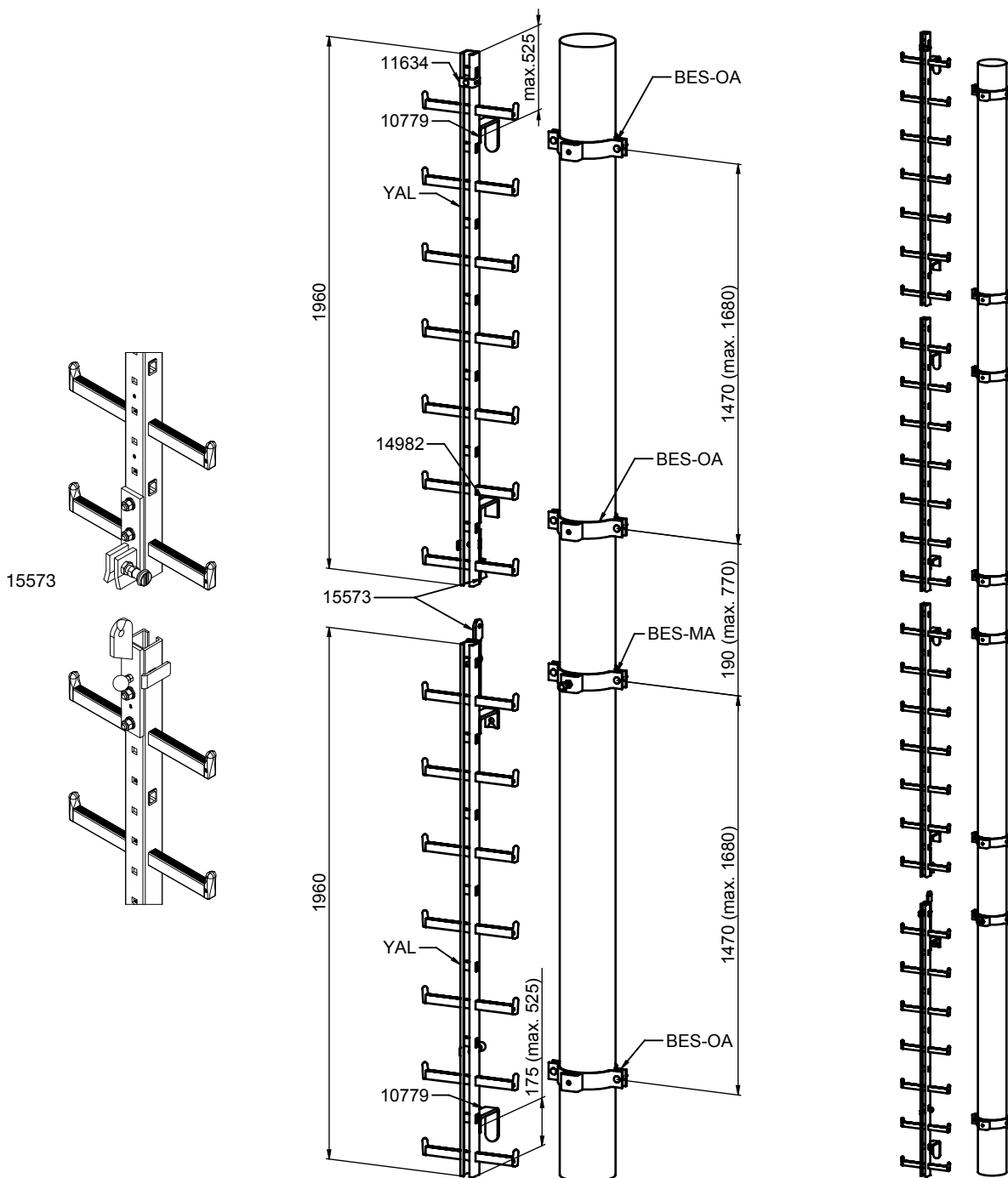
# Planning aid for insertion suspension ladders (single section)



Subject to technical change. Please follow our maintenance and fitting instructions.

# Planning aid for insertion suspension ladders (multi-section)

## 4 ladder sections - total length max. 8 m



Subject to technical change. Please follow our maintenance and fitting instructions.

# Insertion suspension ladders

## Mounting elements

Installation from below

### Mast clamp with projection

- Only for use in conjunction with connector (part no. 17261)
- Projection 'L' depends on the type of fixed installation ladder (max. 170 mm)
- Please indicate the following required information:  
Mast diameter 'D'  
Type of fixed installation ladder  
Bracket for fixed installation ladder, including projection
- Mast diameter:  
Min. 60 mm  
Max. 220 mm

Material: Steel, hot-dip galvanised  
Weight: Depends on mast diameter

Part no. **18419**

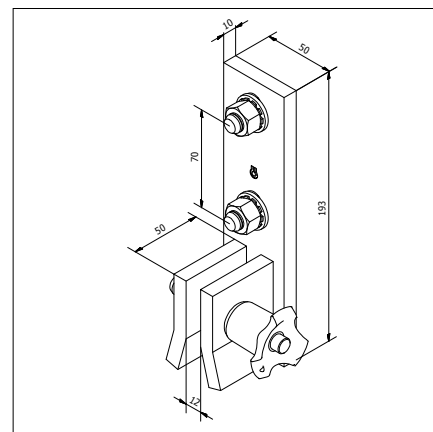
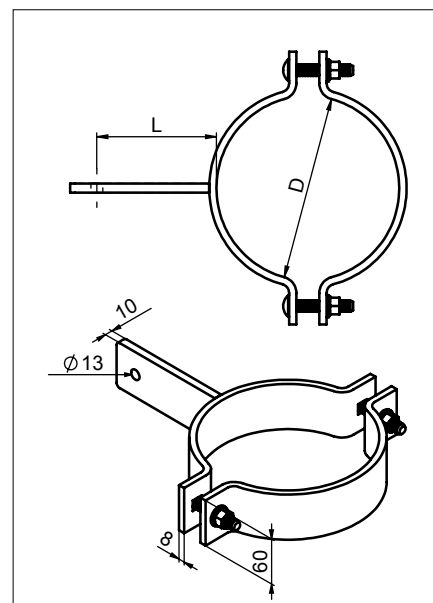
Wall and angle corner mounting bracket available upon request.

### Connector for insertion suspension ladder

- For connection onto mast clamp with projection (part no. 18419) using locking bolt
- Complete with mounting elements for fixing to ladder

Material: Steel, hot-dip galvanised  
Weight: 1.5 kg/each

Part no. **17261**

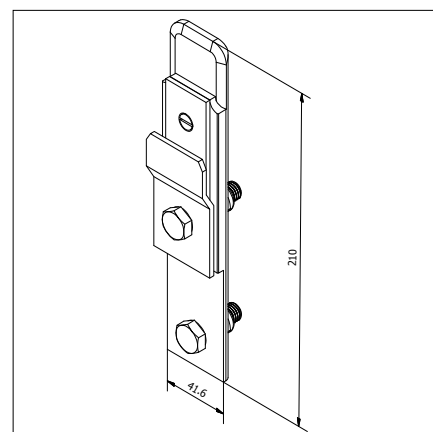


### Connector

- For insertion suspension ladder - installation from below
- For connection with fixed installation ladder
- Complete with mounting elements for fixing to ladder

Material: Anodised aluminium  
Weight: 0.5 kg/each

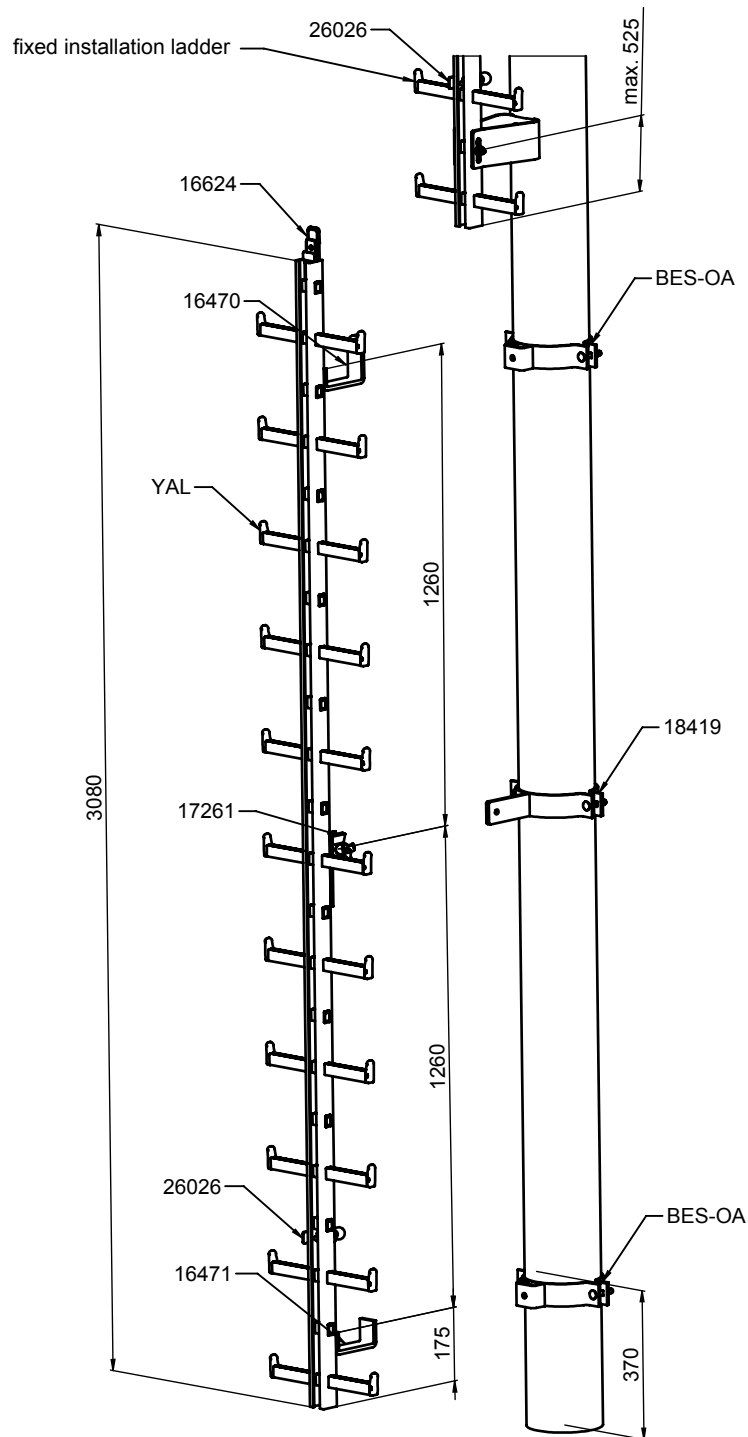
Part no. **16624**



Subject to technical change. Please follow our maintenance and fitting instructions.



# Planning aid for insertion suspension ladders Installation from below



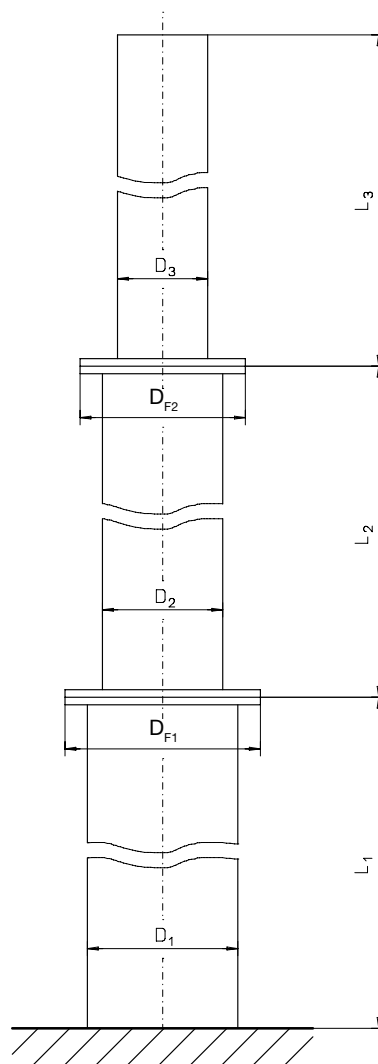
Subject to technical change. Please follow our maintenance and fitting instructions.

## Planning aid for tubular mast

Always keep the following details in mind when planning a fall protection system for tubular poles:

- Diameter of each tubular section ( $D_1$ ,  $D_2$ ,  $D_3$ , etc.)
- Length of each tubular section ( $L_1$ ,  $L_2$ ,  $L_3$ , etc.)
- Diameter of flanges ( $D_{F1}$ ,  $D_{F2}$ , etc.)

The above information is required to properly determine and select the clamp diameters and projections and any required curves.



Should the tubular mast have components installed that may hinder or influence the installation of the fall protection system, such details also need to be considered when ordering.

# Söll GlideLoc® aluminium ladders

## Movable ladder connector section

### Principle:

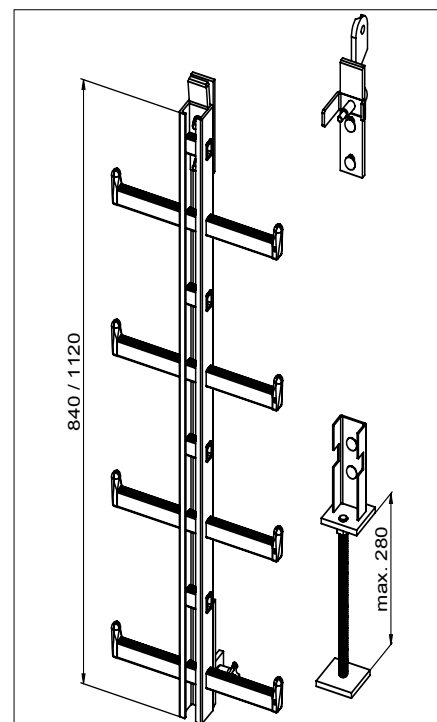
The movable ladder connector section is used for climbways where access is interrupted in certain areas, e.g. running a ladder through a skylight.

### Movable ladder connector section

- Profile 52 x 51 mm
- A holder and all necessary connectors are included in the delivery

Material: Anodised aluminium  
Length: 840 mm  
Weight: 8.0 kg/each  
**Part no. 22404**

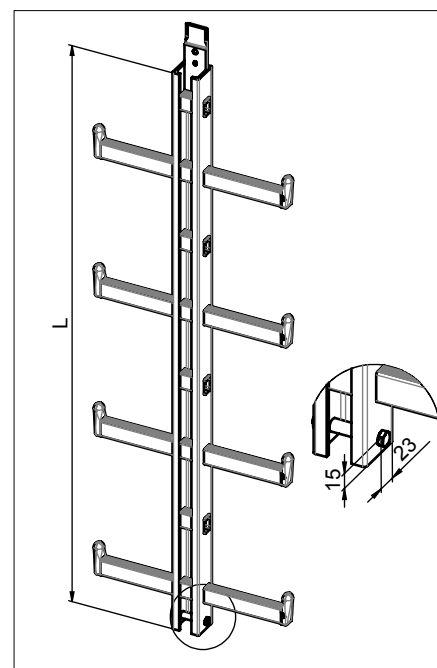
Material: Anodised aluminium  
Length: 1,120 mm  
Weight: 8.9 kg/each  
**Part no. 24360**



### Y-spar ladder with bolt

- Profile 52 x 51 mm
- With connector at the top and bolt to insert the movable ladder connector section below

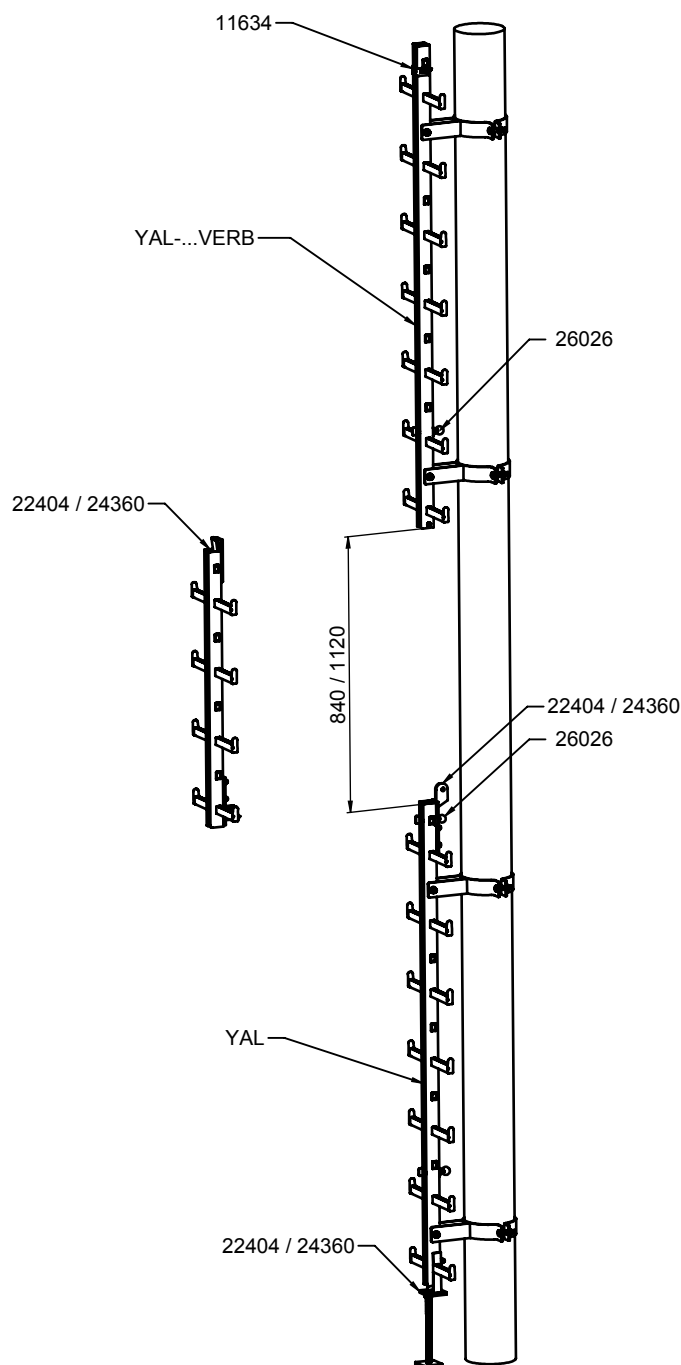
Material: Anodised aluminium  
Weight: 3.2 kg/m  
**Part no. YAL-<ladder length in mm>-VERB**



Subject to technical change. Please follow our maintenance and fitting instructions.

# Söll GlideLoc<sup>®</sup> aluminium ladders

Planning aid for movable ladder connector section



Subject to technical change. Please follow our maintenance and fitting instructions.

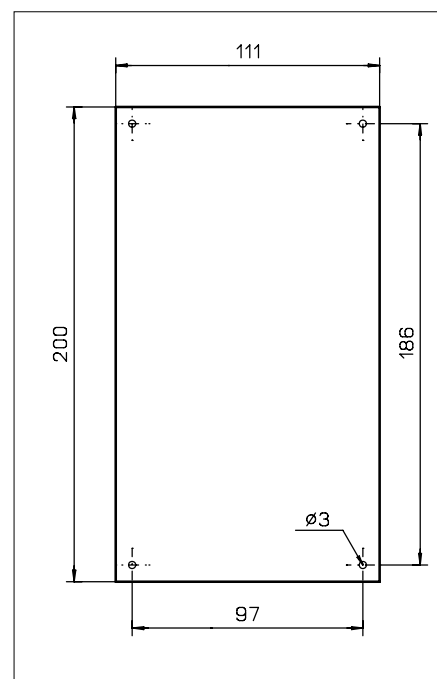
# Söll GlideLoc® aluminium ladders Accessories

## Identification plate

- For 'Söll GlideLoc®' fall protection systems
- Cover plate assembled in factory
- Must be affixed to each access point
- Languages: D/E/F/ES

Material: Aluminium  
Weight: 0.1 kg/each  
Part no. **19876 not engraved**  
**20850 engraved**

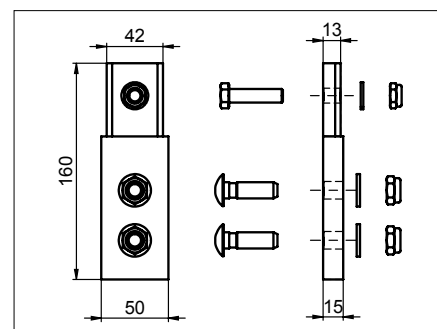
Additional languages available upon request



## Connector

- To connect guide rails with a different profile

Material: Anodised aluminium  
Weight: 0.3 kg/each  
Part no. **10543**



# Söll GlideLoc<sup>®</sup> aluminium ladders

## Accessories

### Special bolt

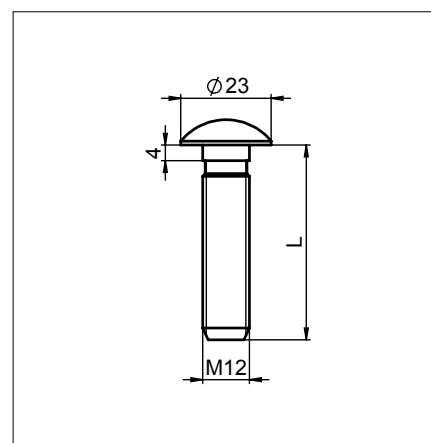
- Special bolt for fixing Söll GlideLoc<sup>®</sup> ladders and guide rails
- Complete with connector
- Other dimensions available upon request

Material: steel, hot-dip galvanised

<b>M 12 x 30</b>	<b>Part no. 15667</b>
Weight:	0.06 kg/each
<b>M 12 x 35</b>	<b>Part no. 15850</b>
Weight:	0.06 kg/each
<b>M 12 x 40</b>	<b>Part no. 15851</b>
Weight:	0.07 kg/each
<b>M 12 x 50</b>	<b>Part no. 15852</b>
Weight:	0.07 kg/each
<b>M 12 x 60</b>	<b>Part no. 15853</b>
Weight:	0.08 kg/each
<b>M 12 x 70</b>	<b>Part no. 15854</b>
Weight:	0.09 kg/each
<b>M 12 x 80</b>	<b>Part no. 15855</b>
Weight:	0.09 kg/each
<b>M 12 x 90</b>	<b>Part no. 15856</b>
Weight:	0.1 kg/each
<b>M 12 x 100</b>	<b>Part no. 15857</b>
Weight:	0.11 kg/each

Material: stainless steel, pickled

<b>M 12 x 30</b>	<b>Part no. 15669</b>
Weight:	0.06 kg/each
<b>M 12 x 35</b>	<b>Part no. 15858</b>
Weight:	0.06 kg/each
<b>M 12 x 40</b>	<b>Part no. 15859</b>
Weight:	0.07 kg/each
<b>M 12 x 50</b>	<b>Part no. 15860</b>
Weight:	0.07 kg/each
<b>M 12 x 60</b>	<b>Part no. 15861</b>
Weight:	0.08 kg/each
<b>M 12 x 70</b>	<b>Part no. 15862</b>
Weight:	0.09 kg/each
<b>M 12 x 80</b>	<b>Part no. 15863</b>
Weight:	0.1 kg/each
<b>M 12 x 90</b>	<b>Part no. 15864</b>
Weight:	0.11 kg/each
<b>M 12 x 100</b>	<b>Part no. 15865</b>
Weight:	0.12 kg/each



Hot-dip galvanised steel version



### Ice scraper

- For removal of frost and ice from Söll GlideLoc guide rails
- Can be used for all profiles
- Removes ice on the inside and outside of the running surfaces of the guide rails
- Anodised aluminium body
- Spring steel blades

Weight: 0.5 kg/each  
Part no. **18072**



Subject to technical change. Please follow our maintenance and fitting instructions.

# Söll GlideLoc® Fall arresters

## Söll Comfort fall arrester

- Complies with EN 353-1:2002; CNB/P/11.073
- With energy-absorbing element
- Self-closing swivel safety karabiner and three self-locking aluminium elements (left figure)
- For use with or without leaning back
- For vertical and horizontal use in all Söll GlideLoc fall protection systems
- Aluminium body, stainless steel safety catch

Weight: 1.1 kg/each

Part no. 22697

## Söll Comfort fall arrester

- With aluminium screw safety karabiner (right figure)

Weight: 1.2 kg/each

Part no. 22690

### Note:

Söll Comfort aluminium fall arresters must not be used in areas where explosions are possible.



## Söll Comfort fall arrester<sup>2</sup> (left figure)

- Base body, safety catch and self-locking safety karabiner are manufactured from saltwater-proof stainless steel

Weight: 1.2 kg/each

Part no. 23331

## Söll Universal II fall arrester (right figure)

- Complies with EN 353-1:2002; CNB/P/11.073
- Can be inserted and removed at any position
- Self-closing swivel safety karabiner and three self-locking aluminium elements
- For vertical and horizontal use in all Söll GlideLoc fall protection systems
- Fall arrester manufactured from stainless steel

Weight: 1.5 kg/each

Part no. 25805



Subject to technical change. Please follow our maintenance and fitting instructions.

